

Job Name: 25-4429 - KYTC Carter Co Call 102 (251120)
 Job Location: Grayson, KY 41143
 Contractor: Allard Excavation, LLC.

Plant: Beaver Dam, KY
 2/2/2026 12:24:08 PM

Tech: J. Horsley - A
 PC: Trevor Lewis



Structure ID: DB3 (13)

P1 BX3636-08BA30

BOX BASE 8inW, 8inF F/n

- P3) 15" x 27" - P.I.P. - BY OTHERS - 8"
- P2) 36" x 36" - CB FLAT TOP 8"W w/15"x27" HOLE F/F - 8"
- P1) 36" x 36" - BOX BASE 8inW, 8inF F/n - 30"
- 1) CASTING - HOE KY-230-G F/G (GRADE)
- 1) 36" x 36" - Conseal CS-102 1.00"
- 1) 15" x 27" - Conseal CS-102 1.00"
- 2) DOGHOUSE INVRTD - 32"x31"
- 1) Hole - 24"

0 lb
 1543 lb
 3657 lb
 237 lb
 0 lb
 0 lb
 0 lb
 0 lb
 0 lb
 0 lb

Structure Total: 5438 lb

Structure Notes:

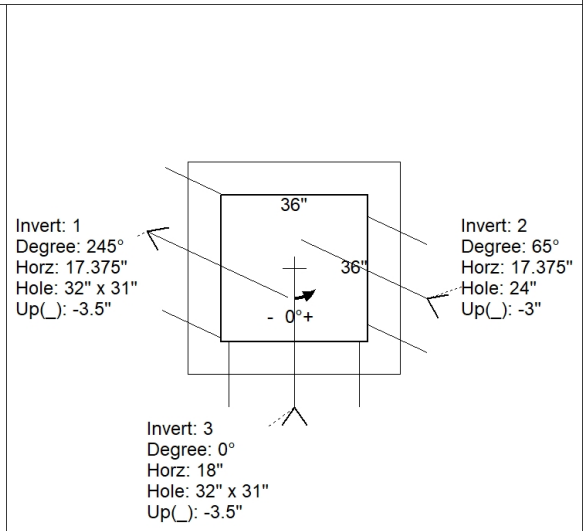
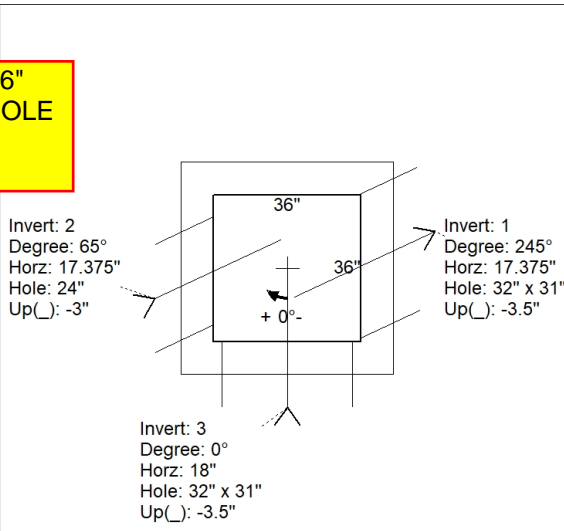
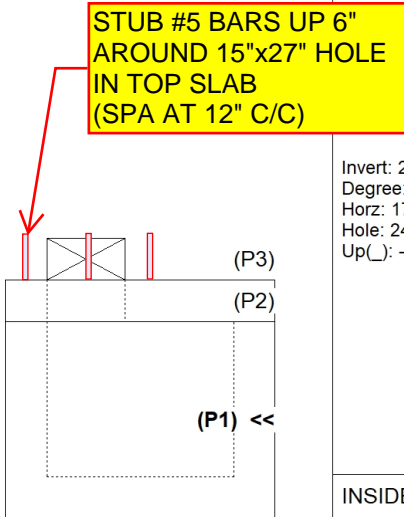
- **KYTC STATE PROJECT**
- PLAN LABEL: DBI TY 13
- 1. HOE KY-230-G F/G (GRADE) PROVIDED BY ICAST.
- 2. KYTC DBI TYPE 13G / ASTM C-913 SPEC'S.
- 3. CONCRETE = 4,000 PSI AT 28 DAYS.
- 4. NO INVERT CHANNEL.
- 5. REINFORCING PER ASTM A615 (GRADE 60).
- TOP SLAB (As .62) #5 BARS AT 6" C.C.E.W. (DBL MAT.)
- WALLS (As .31) #5 BARS AT 12" C.C.E.W..
- FLOOR (As .31) #5 BARS AT 12" C.C.E.W.
- 6. STUB #5 BARS UP 6" AROUND OPENING IN TOP SLAB (SPA@12"C/C) OR IN TOP OF 15"x27" RISER

Rim: 648.55' Rim to Invert: 3.91' Slack: 0.92' Sump: 0' Step Position:

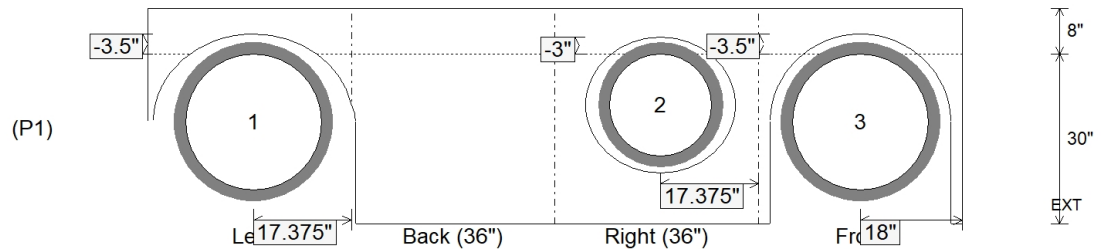
Position	Elev	Angle	Ext. (cw)	Pipe	Pipe OD	Connector	Hole	Horz Size	Up ()	Offset
Invert 1	644.64'	245°	21.625"	24" ADS N-12	28"	DOGHOUSE INVRTD 32"x31"	32" x 31"	34.984", 0.695"	-3.5"	7"
Invert 2	644.64'	65°	21.625"	18" ADS N-12	22"	Hole 24	24"	26.481"	-3"	7"
Invert 3	644.64'	0°	26"	24" ADS N-12	28"	DOGHOUSE INVRTD 32"x31"	32" x 31"	32"	-3.5"	0"
Invert 4										
Invert 5										
Invert 6										
Invert 7										
Invert 8										

RIGHT-SIDE UP VIEW (int. dimensions)

UPSIDE-DOWN VIEW (int. dimensions)



INSIDE WALL DIMENSIONS



Coating (Int):
 Coating (Ext):

Seam Up: Flat
 Seam Dn: n/a

Wall Thickness: 8"
 Floor Height: 8"

Height (Int): 30"
 Height (Ext): 38"

Weight (Net): 3657 lb
 Volume (Net): 0.93cu.yd