

Job Name: 25-4429 - KYTC Carter Co Call 102 (251120)

Job Location: Grayson, KY 41143

Contractor: Allard Excavation, LLC.

PC: Trevor Lewis

TECH: J. Horsley - A

Plant: Beaver Dam, KY



Structure ID: DB2 (14)

Spec: KYTC

Type: DBI TYPE 13G

Size: 24" x 36"

Rim: 648.53'

Invert: 644.77'

Rim to Invert: 3.76'

Sump: 0"

Floor (Top): 644.77'

Floor Height: 8"

Floor (Bot): 644.103'

Overall Height: 4.417'

Slack: 0.12"

Structure Notes:

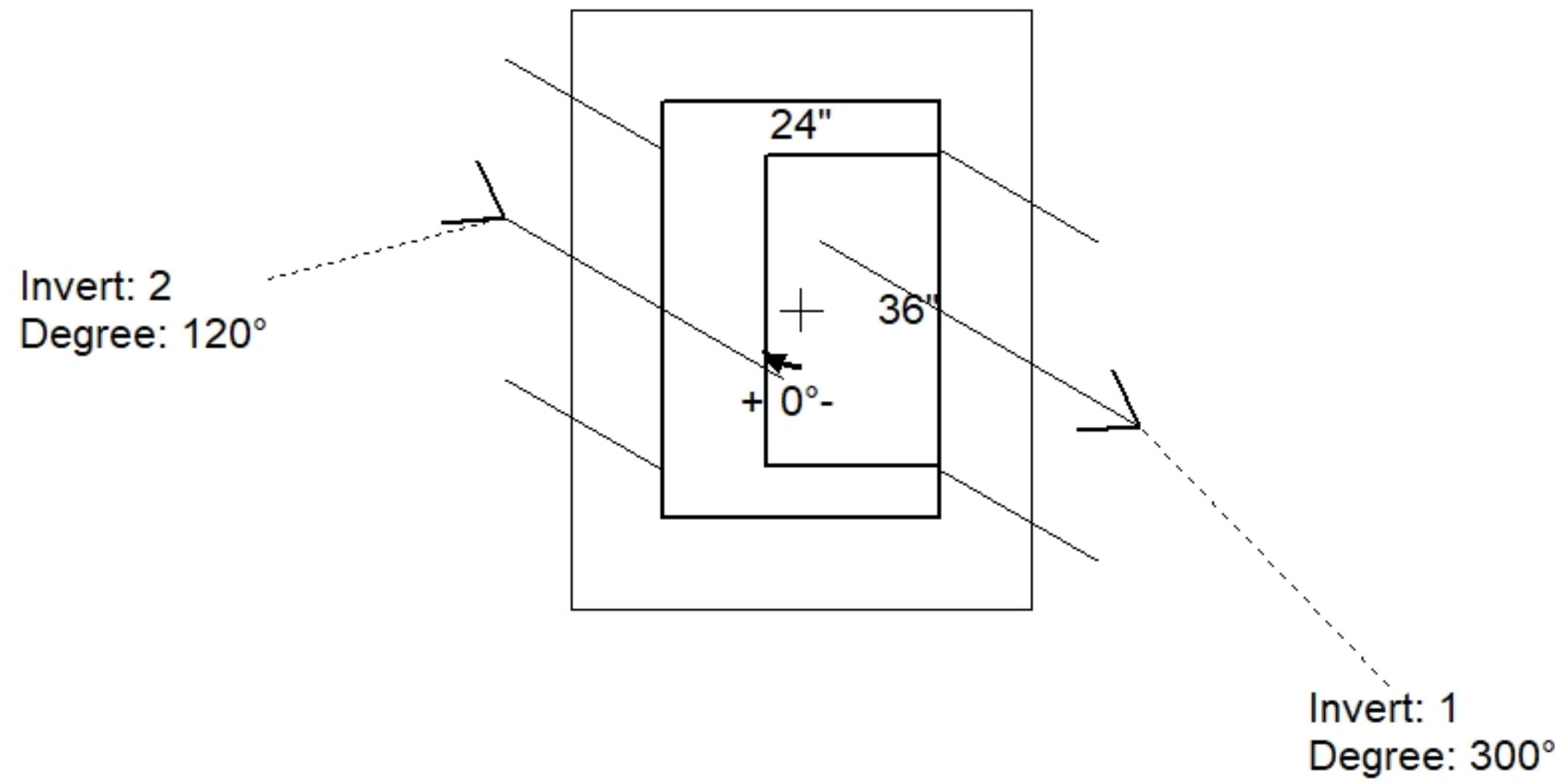
KYTC STATE PROJECT

PLAN LABEL: DBI TY 13

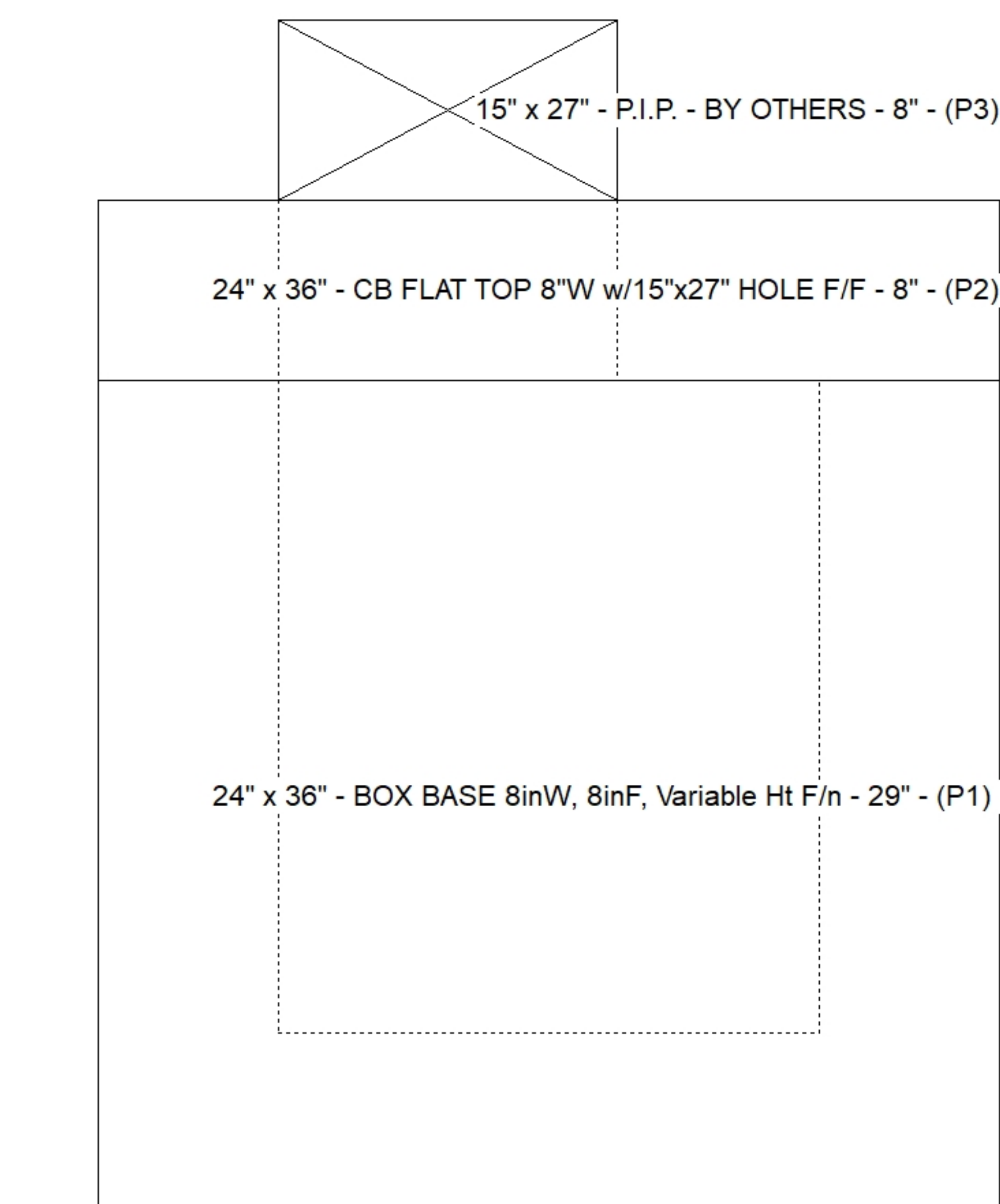
1. HOE KY-230-G F/G (GRADE) PROVIDED BY ICAST.
2. KYTC DBI TYPE 13G / ASTM C-913 SPEC'S.
3. CONCRETE = 4,000 PSI AT 28 DAYS.
4. NO INVERT CHANNEL.
5. REINFORCING PER ASTM A615 (GRADE 60).
 - TOP SLAB (As .62) #5 BARS AT 6" C.C.E.W.(DBL MAT.)
 - WALLS (As .31) #5 BARS AT 12" C.C.E.W..
 - FLOOR (As .31) #5 BARS AT 12" C.C.E.W.
6. STUB #5 BARS UP 4" AROUND OPENING IN TOP SLAB (SPA@12"C/C) OR IN TOP OF 15"X27" RISER

STRUCTURE SUMMARY:

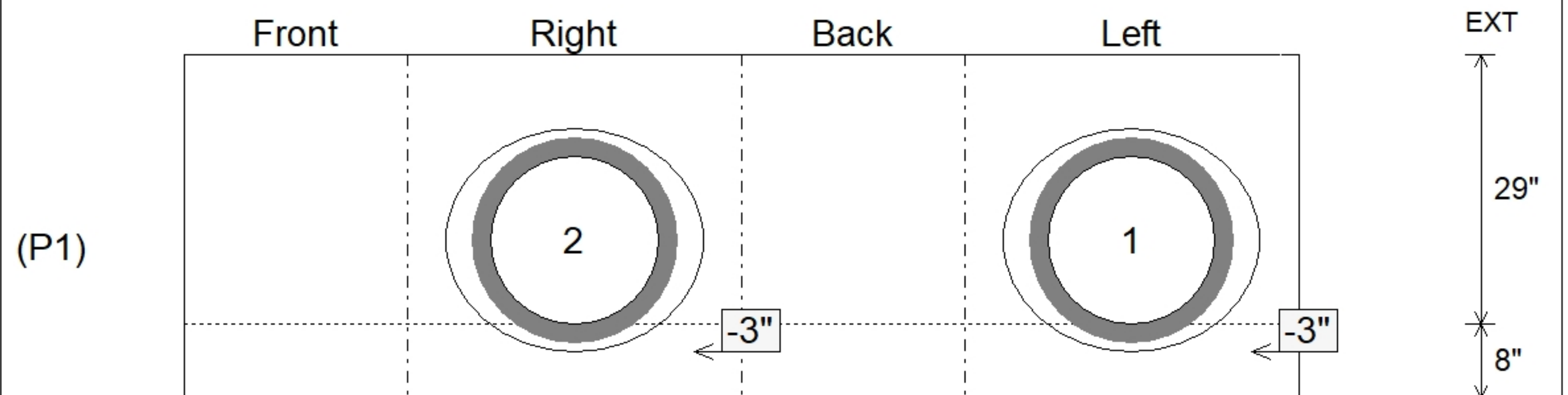
| | |
|--|----------------|
| P3) 15" x 27" - P.I.P. - BY OTHERS - 8" | 0 lb |
| P2) 24" x 36" - CB FLAT TOP 8"W w/15"x27" HOLE F/F - 8" | 1124 lb |
| P1) 24" x 36" - BOX BASE 8inW, 8inF, Variable Ht F/n - 29" | 3654 lb |
| 1) CASTING - HOE KY-230-G F/G (GRADE) | 237 lb |
| 1) 24" x 36" - Conseal CS-102 1.00" | 0 lb |
| 1) 15" x 27" - Conseal CS-102 1.00" | 0 lb |
| 2) Hole - 24" | 0 lb |
| Structure Total: | 5015 lb |



| Position | Elev | Angle | Pipe | Pipe OD | Hole | Connector | Up (") | Ref |
|----------|---------|-------|--------------|---------|------|-----------|--------|-----|
| Rim | 648.53' | | | | | | | |
| Reducer | | | | | | | | |
| Invert 1 | 644.77' | 300° | 18" ADS N-12 | 22" | 24" | Hole 24 | -3" | P1 |
| Invert 2 | 644.77' | 120° | 18" ADS N-12 | 22" | 24" | Hole 24 | -3" | P1 |
| Invert 3 | | | | | | | | |
| Invert 4 | | | | | | | | |
| Invert 5 | | | | | | | | |
| Invert 6 | | | | | | | | |
| Invert 7 | | | | | | | | |
| Invert 8 | | | | | | | | |



Cast (Int. Dim.) - Interior Dimensions



Submittal Drawing
2/2/2026 12:23:53 PM

SUBMITTAL
APPROVED BY: