

Job Name: 25-4429 - KYTC Carter Co Call 102 (251120)  
 Job Location: Grayson, KY 41143  
 Contractor: Allard Excavation, LLC.

Plant: Beaver Dam, KY  
 2/2/2026 1:02:35 PM

Tech: J. Horsley - A  
 PC: Trevor Lewis



**Structure ID: DB2 (14)**

**P1 BX2436-08BVF**

**BOX BASE 8inW, 8inF, Variable Ht F/n**

- P3) 15" x 27" - P.I.P. - BY OTHERS - 8"
- P2) 24" x 36" - CB FLAT TOP 8"W w/15"x27" HOLE F/F - 8"
- P1) 24" x 36" - BOX BASE 8inW, 8inF, Variable Ht F/n - 29"
- 1) CASTING - HOE KY-230-G F/G (GRADE)
- 1) 24" x 36" - Conseal CS-102 1.00"
- 1) 15" x 27" - Conseal CS-102 1.00"
- 2) Hole - 24"

0 lb  
 1124 lb  
 3654 lb  
 237 lb  
 0 lb  
 0 lb  
 0 lb  
 -----  
 Structure Total: 5015 lb

**Structure Notes:**  
**\*\*KYTC STATE PROJECT\*\***  
 PLAN LABEL: DBI TY 13  
 1. HOE KY-230-G F/G (GRADE) PROVIDED BY ICAST.  
 2. KYTC DBI TYPE 13G / ASTM C-913 SPEC'S.  
 3. CONCRETE = 4,000 PSI AT 28 DAYS.  
 4. NO INVERT CHANNEL.  
 5. REINFORCING PER ASTM A615 (GRADE 60).  
 - TOP SLAB (As .62) #5 BARS AT 6" C.C.E.W.(DBL MAT.)  
 - WALLS (As .31) #5 BARS AT 12" C.C.E.W..  
 - FLOOR (As .31) #5 BARS AT 12" C.C.E.W.  
 6. STUB #5 BARS UP 6" AROUND OPENING IN TOP SLAB (SPA@12"C/C) OR IN TOP OF 15"x27" RISER

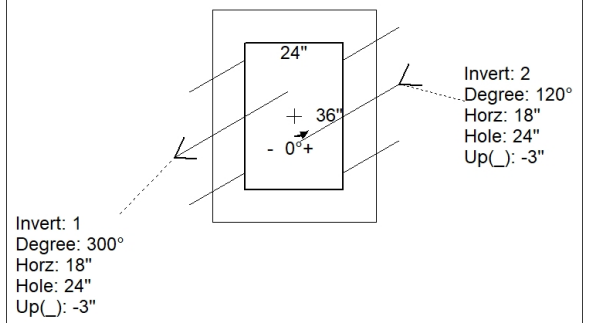
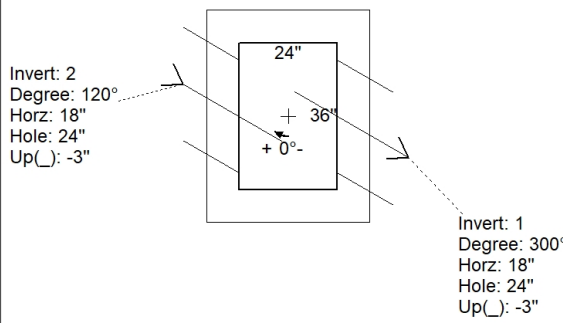
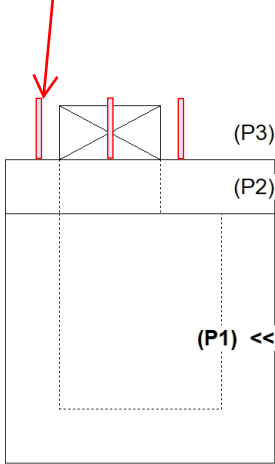
Rim: 648.53' Rim to Invert: 3.76' Slack: 0.12" Sump: 0" Step Position:

Position	Elev	Angle	Ext. (cw)	Pipe	Pipe OD	Connector	Hole	Horz Size	Up ( )	Offset
Invert 1	644.77'	300°	30.625"	18" ADS N-12	22"	Hole 24	24"	27.713"	-3"	-6"
Invert 2	644.77'	120°	30.625"	18" ADS N-12	22"	Hole 24	24"	27.713"	-3"	-6"
Invert 3										
Invert 4										
Invert 5										
Invert 6										
Invert 7										
Invert 8										

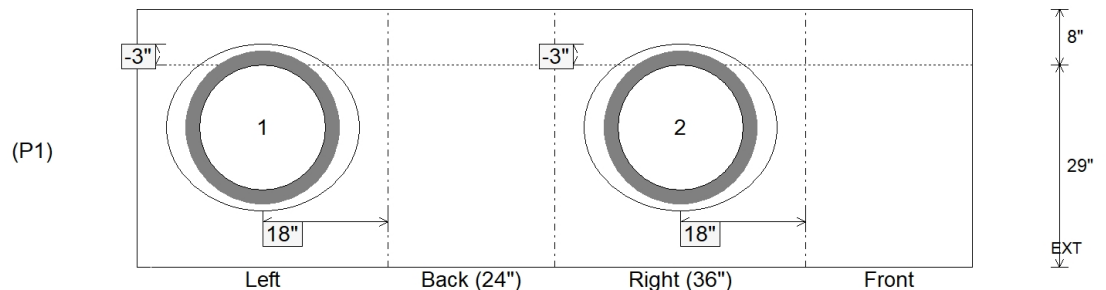
RIGHT-SIDE UP VIEW (int. dimensions)

UPSIDE-DOWN VIEW (int. dimensions)

**STUB #5 BARS 6" OUT TOP OF SLAB SPA AT 12" C/C AROUND 15x27 HOLE**



INSIDE WALL DIMENSIONS



Coating (Int):  
 Coating (Ext):

Seam Up: Flat  
 Seam Dn: n/a

Wall Thickness: 8"  
 Floor Height: 8"

Height (Int): 29"  
 Height (Ext): 37"

Weight (Net): 3654 lb  
 Volume (Net): 0.93cu.yd