

Job Name: 25-4429 - KYTC Carter Co Call 102 (251120)

Job Location: Grayson, KY 41143

Contractor: Allard Excavation, LLC.

PC: Trevor Lewis

TECH: J. Horsley - A

Plant: Beaver Dam, KY



Structure ID: DB1(12)

Spec: KYTC

Type: DBI TYPE 1

Size: 36" x 36"

Rim: 668.85'

Invert: 665.85'

Rim to Invert: 3'

Sump: 0"

Floor (Top): 665.85'

Floor Height: 8"

Floor (Bot): 665.183'

Overall Height: 3.667'

Slack: 0"

Structure Notes:

KYTC STATE PROJECT

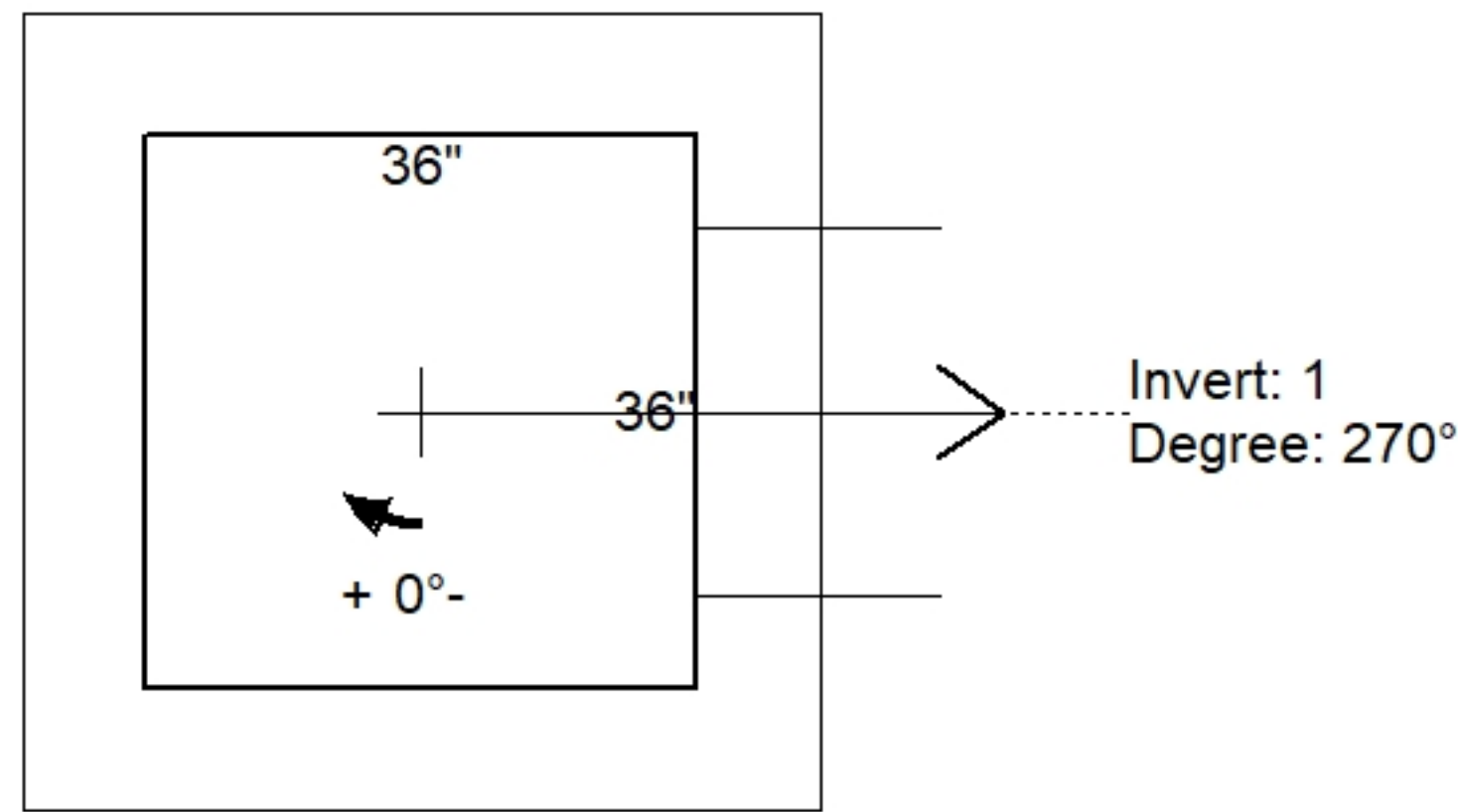
PLAN LABEL: DBI#1

1. HOE KY-316 SET(DBI 1) PROVIDED BY ICAST.
2. KYTC DBI TYPE 1 / ASTM C913 SPECIFICATIONS.
3. CONCRETE = 4,000 PSI AT 28 DAYS.
4. NO INVERT CHANNEL.
5. NO STEPS.
6. REINFORCING PER ASTM A615 (GRADE 60).
- WALLS (As .31) #5 BARS AT 12" C.C.E.W.
- FLOOR (As .31) #5 BARS AT 12" C.C.E.W.
7. STUB #5 BARS 20" OUT TOP OF WALLS (SPA@12"C/C)

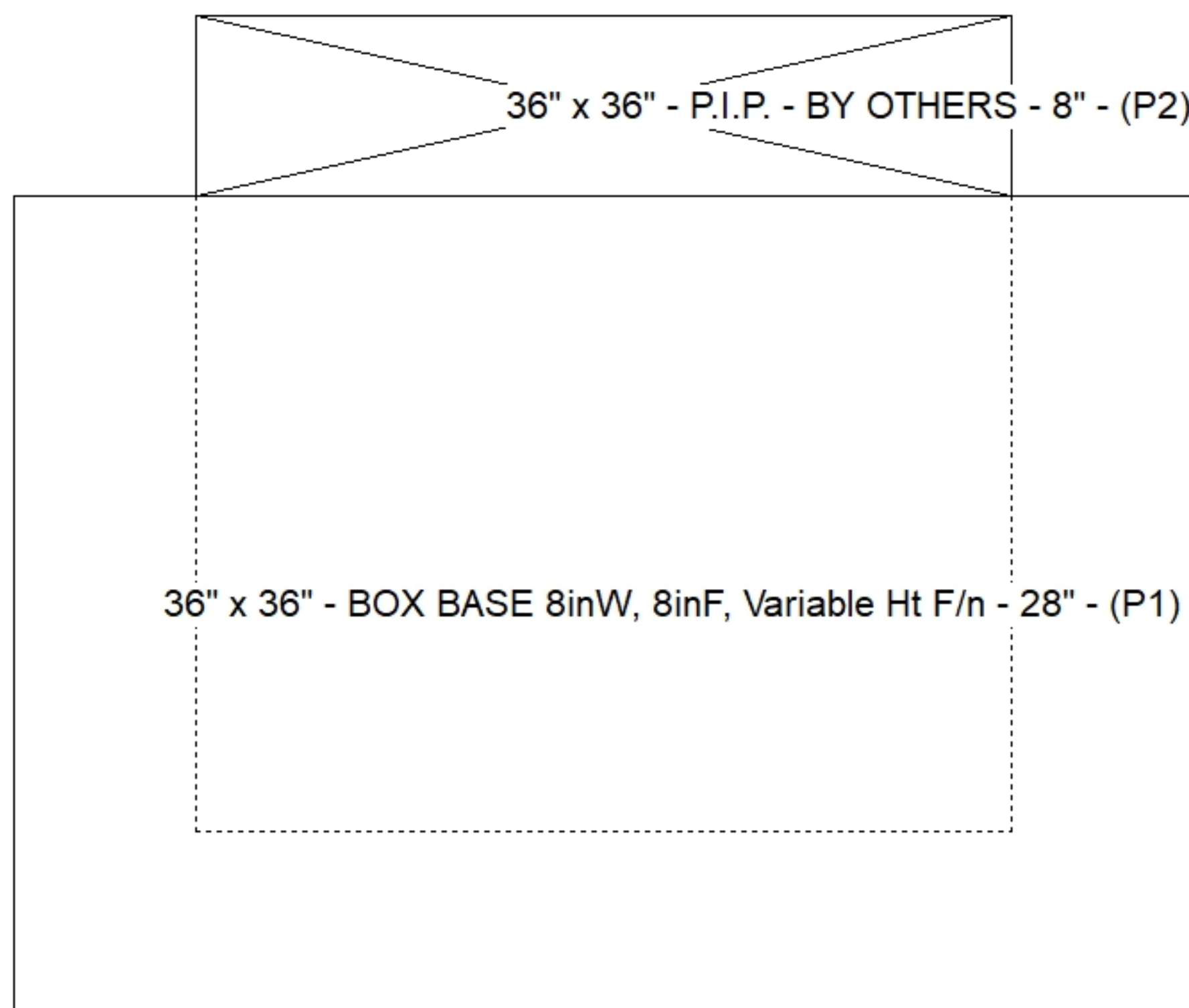
STRUCTURE SUMMARY:

P2) 36" x 36" - P.I.P. - BY OTHERS - 8"	0 lb
P1) 36" x 36" - BOX BASE 8inW, 8inF, Variable Ht F/n - 28"	4820 lb
1) CASTING - HOE KY-316 SET (DBI 1)	317 lb
1) 36" x 36" - Conseal CS-102 1.00"	0 lb
1) Hole - 24	0 lb

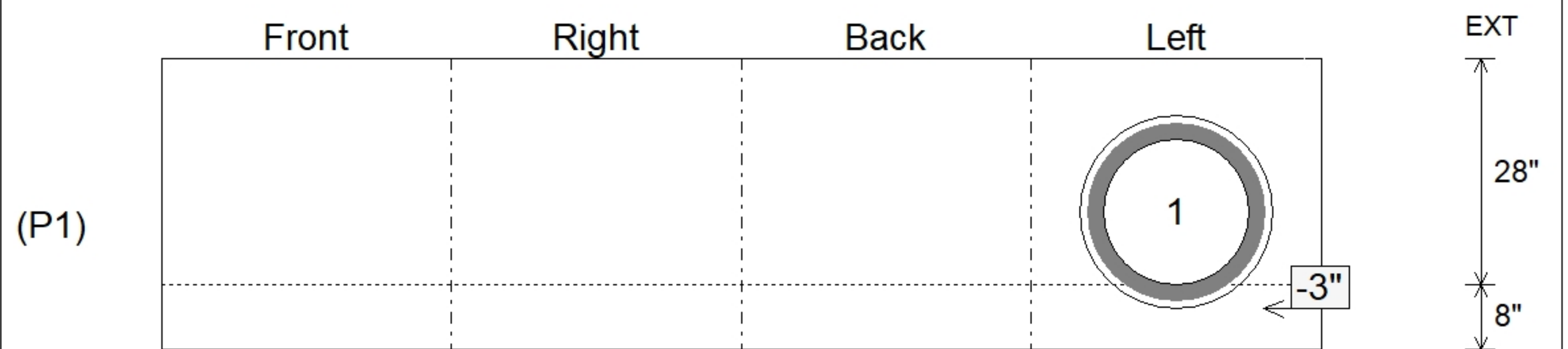
Structure Total:	5137 lb



Position	Elev	Angle	Pipe	Pipe OD	Hole	Connector	Up ()	Ref
Rim	668.85'							
Reducer								
Invert 1	665.85'	270°	18" ADS N-12	22"	24"	Hole 24	-3"	P1
Invert 2								
Invert 3								
Invert 4								
Invert 5								
Invert 6								
Invert 7								
Invert 8								



Cast (Int. Dim.) - Interior Dimensions



Submittal Drawing
2/2/2026 9:42:51 AM

SUBMITTAL
APPROVED BY: