

Job Name: 25-4429 - KYTC Carter Co Call 102 (251120)

Job Location: Grayson, KY 41143

Contractor: Allard Excavation, LLC.

PC: Trevor Lewis

TECH: J. Horsley - A

Plant: Beaver Dam, KY



Structure ID: 7665(17)

Spec: KYTC

Type: Junction Box B1

Size: 36" x 36"

Rim: 649.97'

Invert: 646.63'

Rim to Invert: 3.34'

Sump: 0"

Floor (Top): 646.63'

Floor Height: 8"

Floor (Bot): 645.963'

Overall Height: 4'

Slack: 0.08"

Structure Notes:

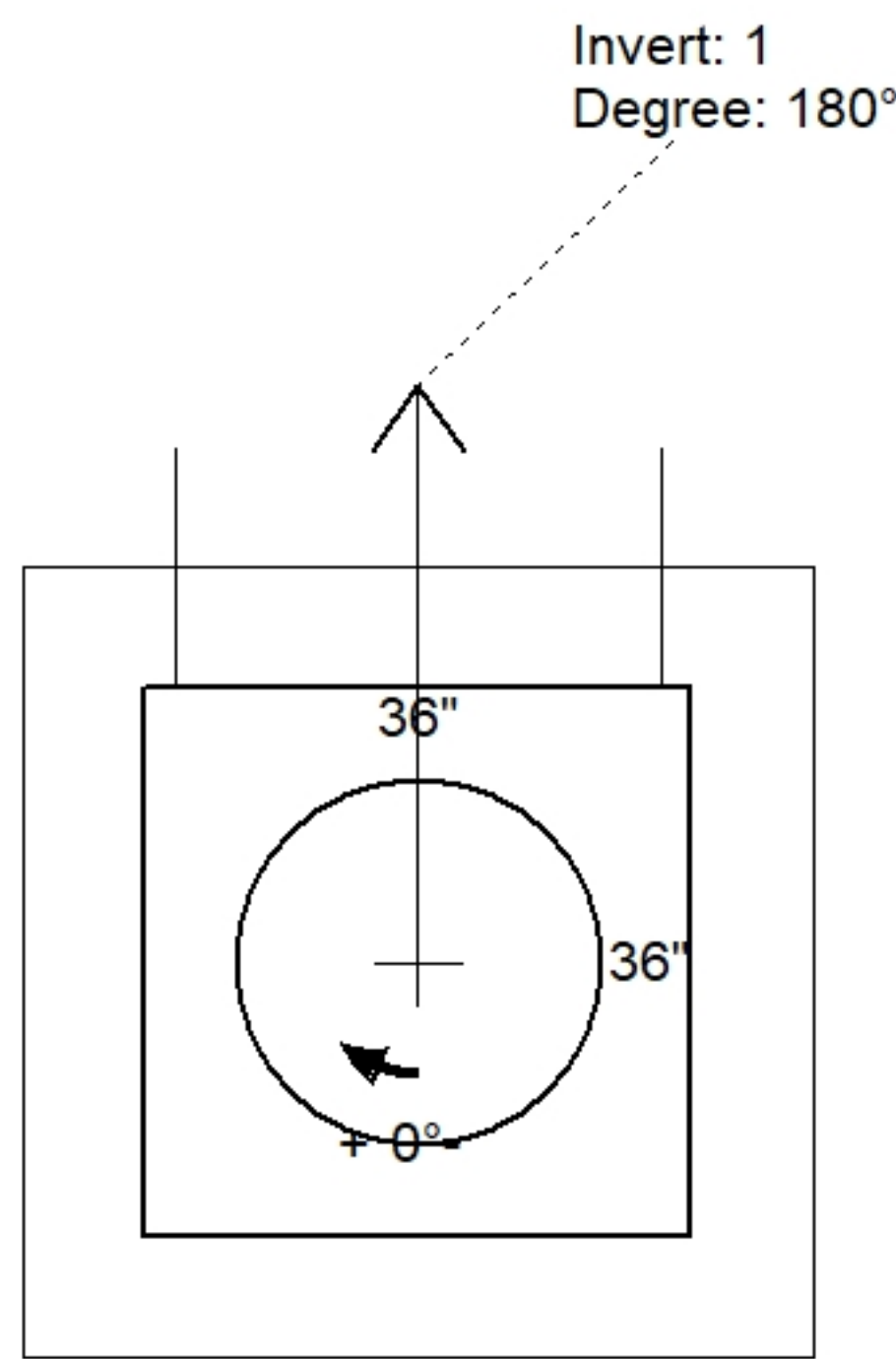
***KYTC STATE PROJECT**

PLAN LABEL: JUNCTION BOX TYPE B

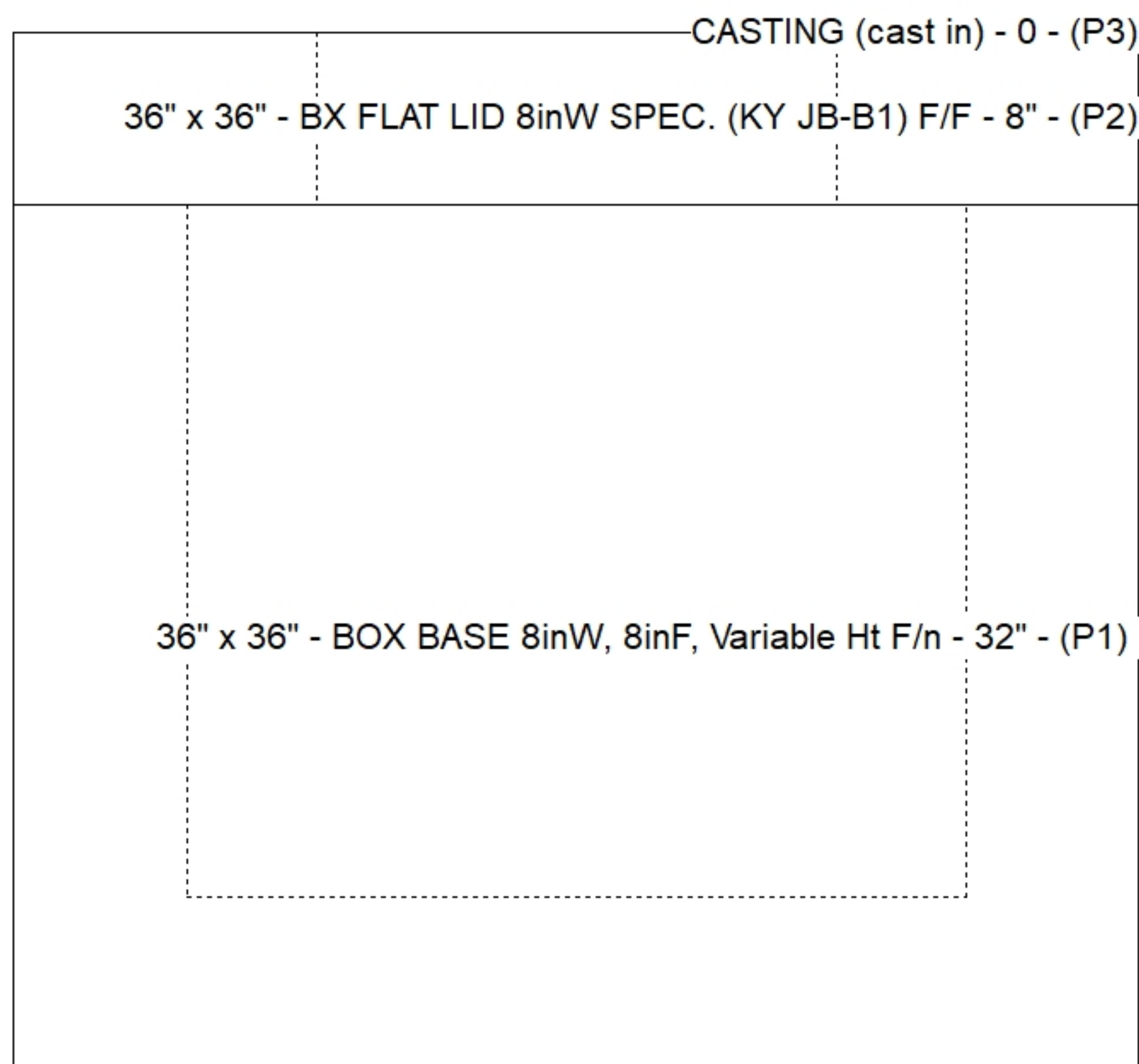
1. KYTC JUNCTION BOX / PER ASTM C913 SPEC'S.
2. CONCRETE = 4,000 PSI AT 28 DAYS.
3. TOP SLAB w KYTC TYPE 1 F/C CAST FLUSH.
4. REINFORCING PER ASTM A615 (GRADE 60).
 - TOP SLAB (As .62) #5 BARS AT 6" C.C.E.W.
 - WALLS (As .31) #5 BARS AT 12" C.C.E.W.
 - FLOOR (As .31) #5 BARS AT 12" C.C.E.W.

STRUCTURE SUMMARY:

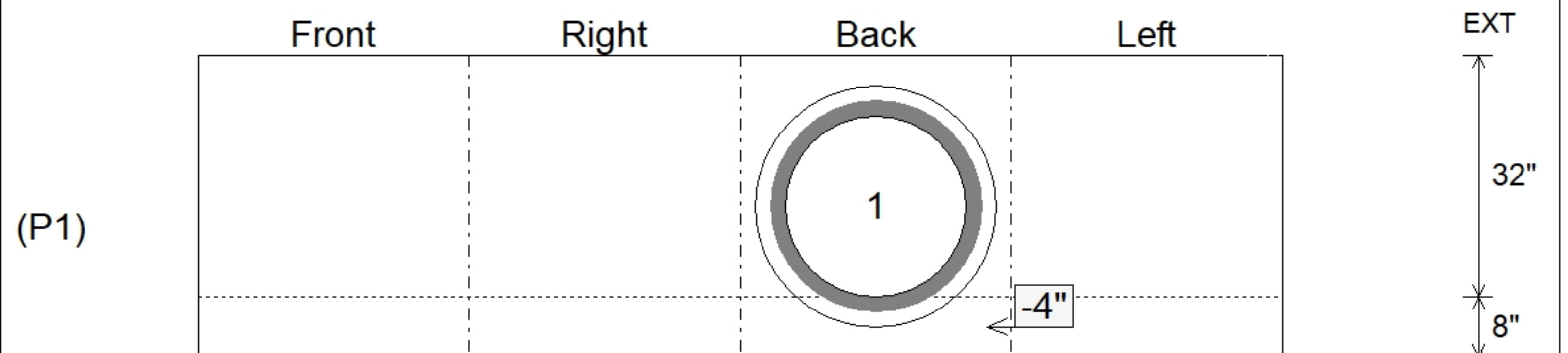
P3) CASTING (cast in) - 0	0 lb
P2) 36" x 36" - BX FLAT LID 8inW SPEC. (KY JB-B1) F/F - 8"	1511 lb
P1) 36" x 36" - BOX BASE 8inW, 8inF, Variable Ht F/n - 32"	5056 lb
1) 36" x 36" - Conseal CS-102 1.00"	0 lb
1) Hole - 32	0 lb
Structure Total:	6568 lb



Position	Elev	Angle	Pipe	Pipe OD	Hole	Connector	Up ()	Ref
Rim	649.97'							
Reducer								
Invert 1	646.63'	180°	24" ADS N-12	28"	32"	Hole 32	-4"	P1
Invert 2								
Invert 3								
Invert 4								
Invert 5								
Invert 6								
Invert 7								
Invert 8								



Cast (Int. Dim.) - Interior Dimensions



Submittal Drawing
2/2/2026 9:42:53 AM

SUBMITTAL
APPROVED BY: