

Job Name: 25-4429 - KYTC Carter Co Call 102 (251120)  
 Job Location: Grayson, KY 41143  
 Contractor: Allard Excavation, LLC.

Plant: Beaver Dam, KY  
 2/2/2026 9:44:04 AM

Tech: J. Horsley - A  
 PC: Trevor Lewis



**Structure ID: 7665(17)**

**P1 BX3636-08BAVF**

**BOX BASE 8inW, 8inF, Variable Ht F/n**

- P3) CASTING (cast in) - 0
- P2) 36" x 36" - BX FLAT LID 8inW SPEC. (KY JB-B1) F/F - 8"
- P1) 36" x 36" - BOX BASE 8inW, 8inF, Variable Ht F/n - 32"
- 1) 36" x 36" - Conseal CS-102 1.00"
- 1) Hole - 32

0 lb  
 1511 lb  
 5056 lb  
 0 lb  
 0 lb  
 -----  
 Structure Total: 6568 lb

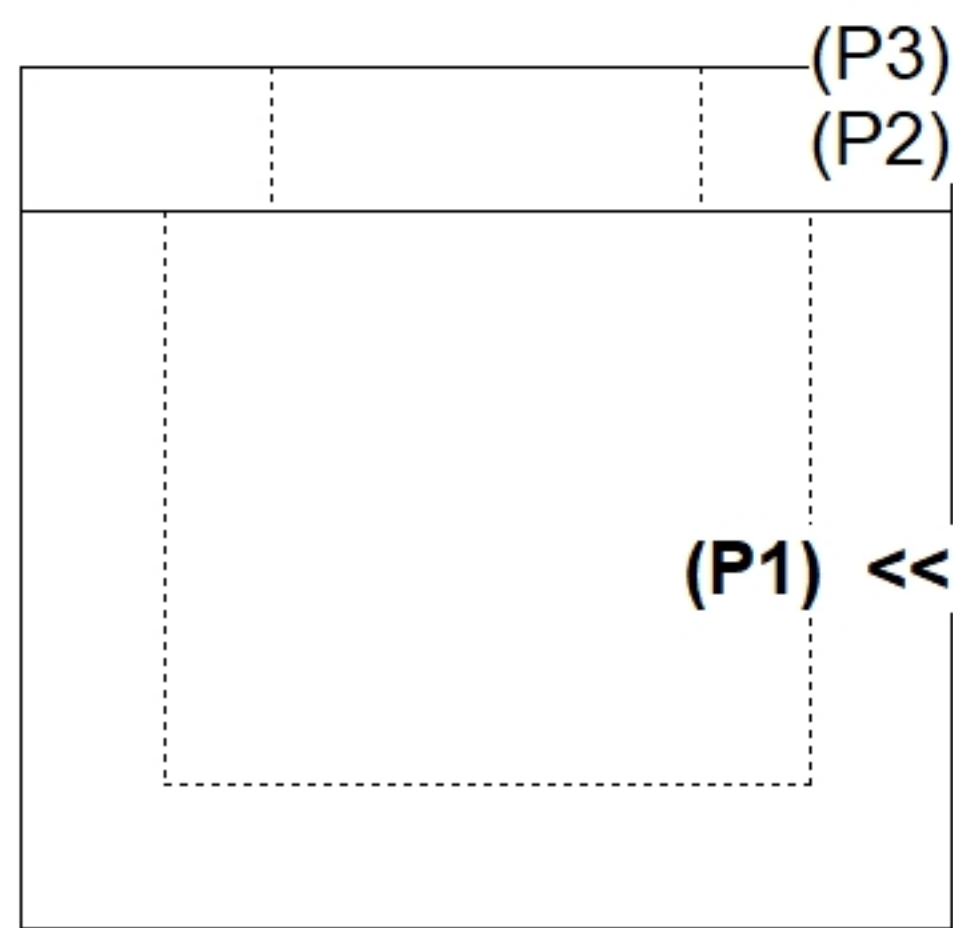
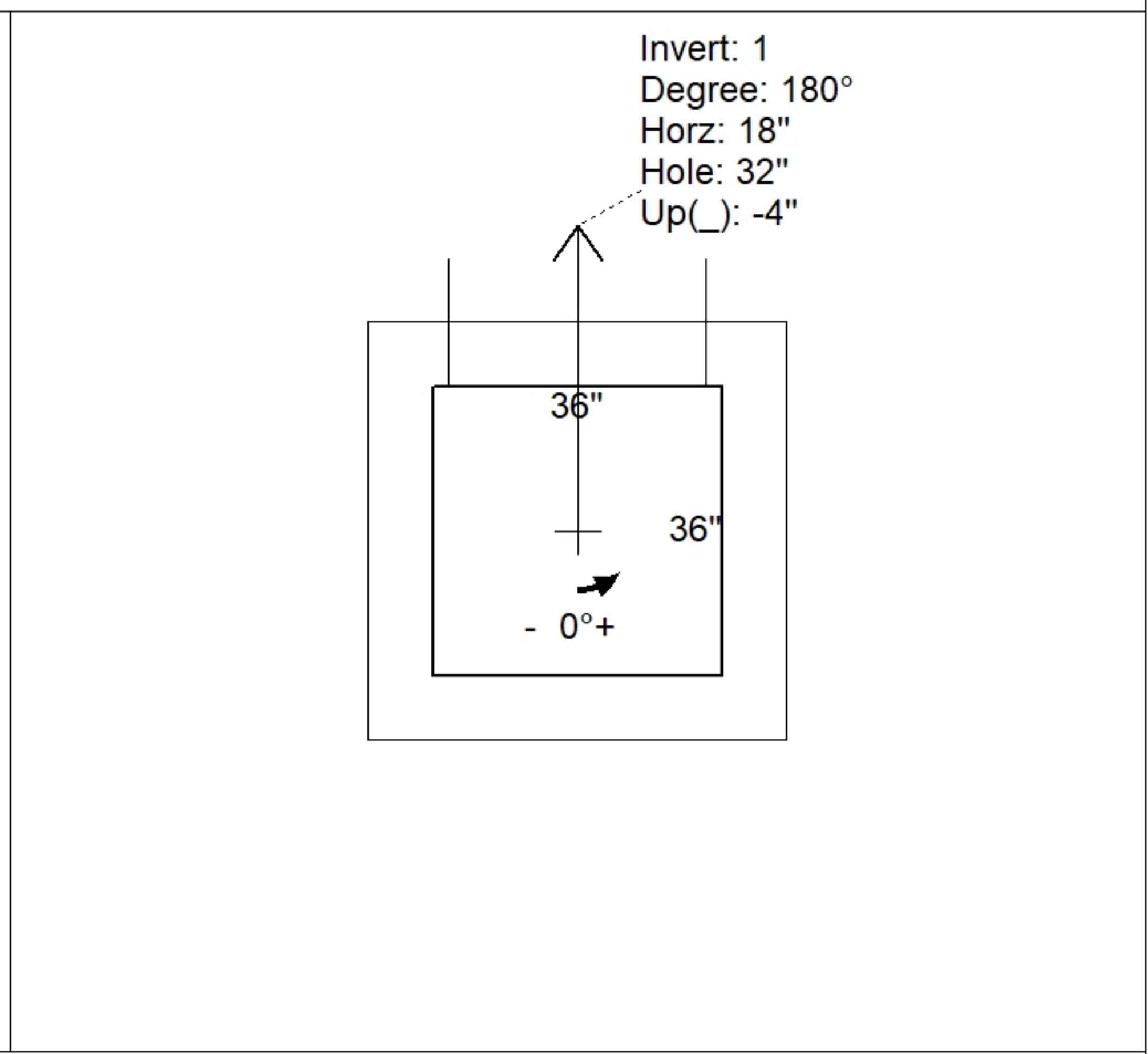
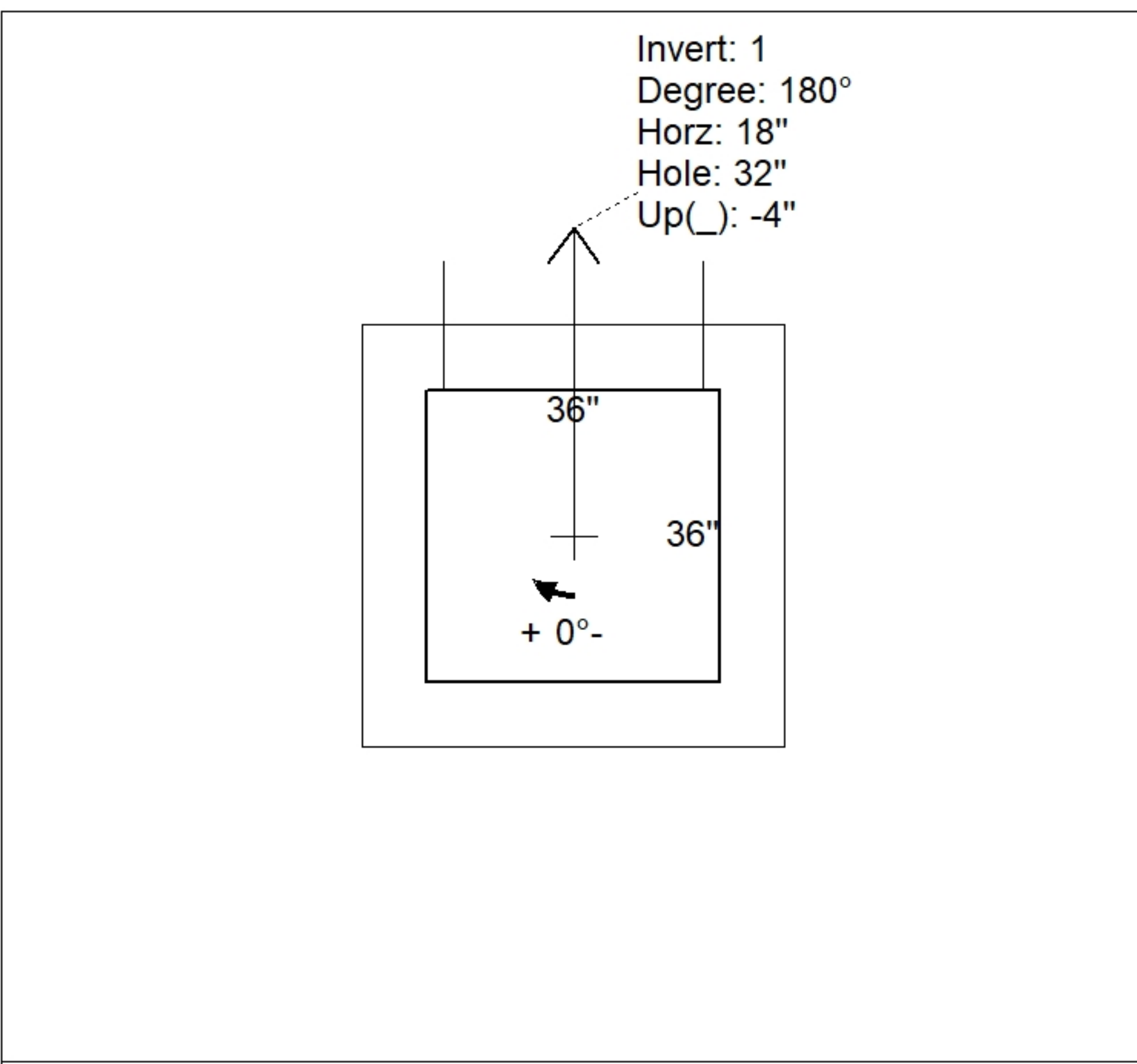
Structure Notes:  
 \*\*\*KYTC STATE PROJECT\*\*  
 PLAN LABEL: JUNCTION BOX TYPE B  
 1. KYTC JUNCTION BOX / PER ASTM C913 SPEC'S.  
 2. CONCRETE = 4,000 PSI AT 28 DAYS.  
 3. TOP SLAB w KYTC TYPE 1 F/C CAST FLUSH.  
 4. REINFORCING PER ASTM A615 (GRADE 60).  
 - TOP SLAB (As .62) #5 BARS AT 6" C.C.E.W.  
 - WALLS (As .31) #5 BARS AT 12" C.C.E.W.  
 - FLOOR (As .31) #5 BARS AT 12" C.C.E.W.

Rim: 649.97' Rim to Invert: 3.34' Slack: 0.08" Sump: 0" Step Position:

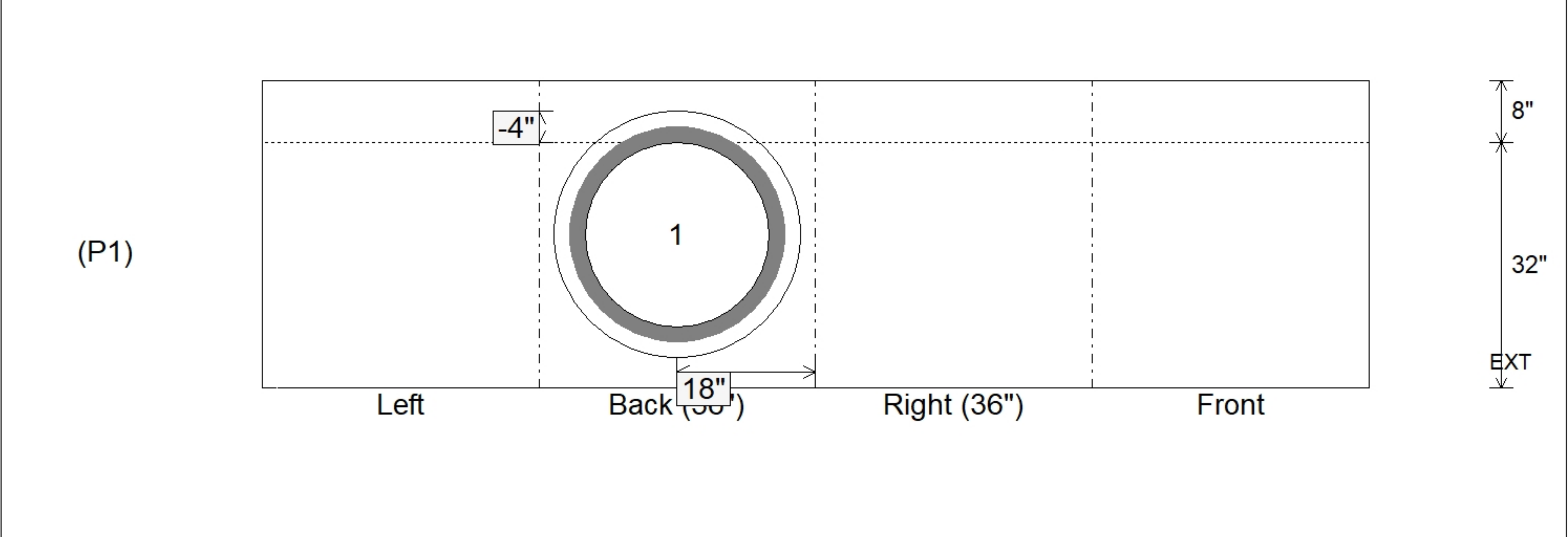
Position	Elev	Angle	Ext. (cw)	Pipe	Pipe OD	Connector	Hole	Horz Size	Up ( )	Offset
Invert 1	646.63'	180°	26"	24" ADS N-12	28"	Hole 32	32"	32"	-4"	0"
Invert 2										
Invert 3										
Invert 4										
Invert 5										
Invert 6										
Invert 7										
Invert 8										

RIGHT-SIDE UP VIEW (int. dimensions)

UPSIDE-DOWN VIEW (int. dimensions)



INSIDE WALL DIMENSIONS



Coating (Int): Coating (Ext):	Seam Up: Flat Seam Dn: n/a	Wall Thickness: 8" Floor Height: 8"	Height (Int): 32" Height (Ext): 40"	Weight (Net): 5056 lb Volume (Net): 1.29cu.yd
----------------------------------	-------------------------------	--	--	--