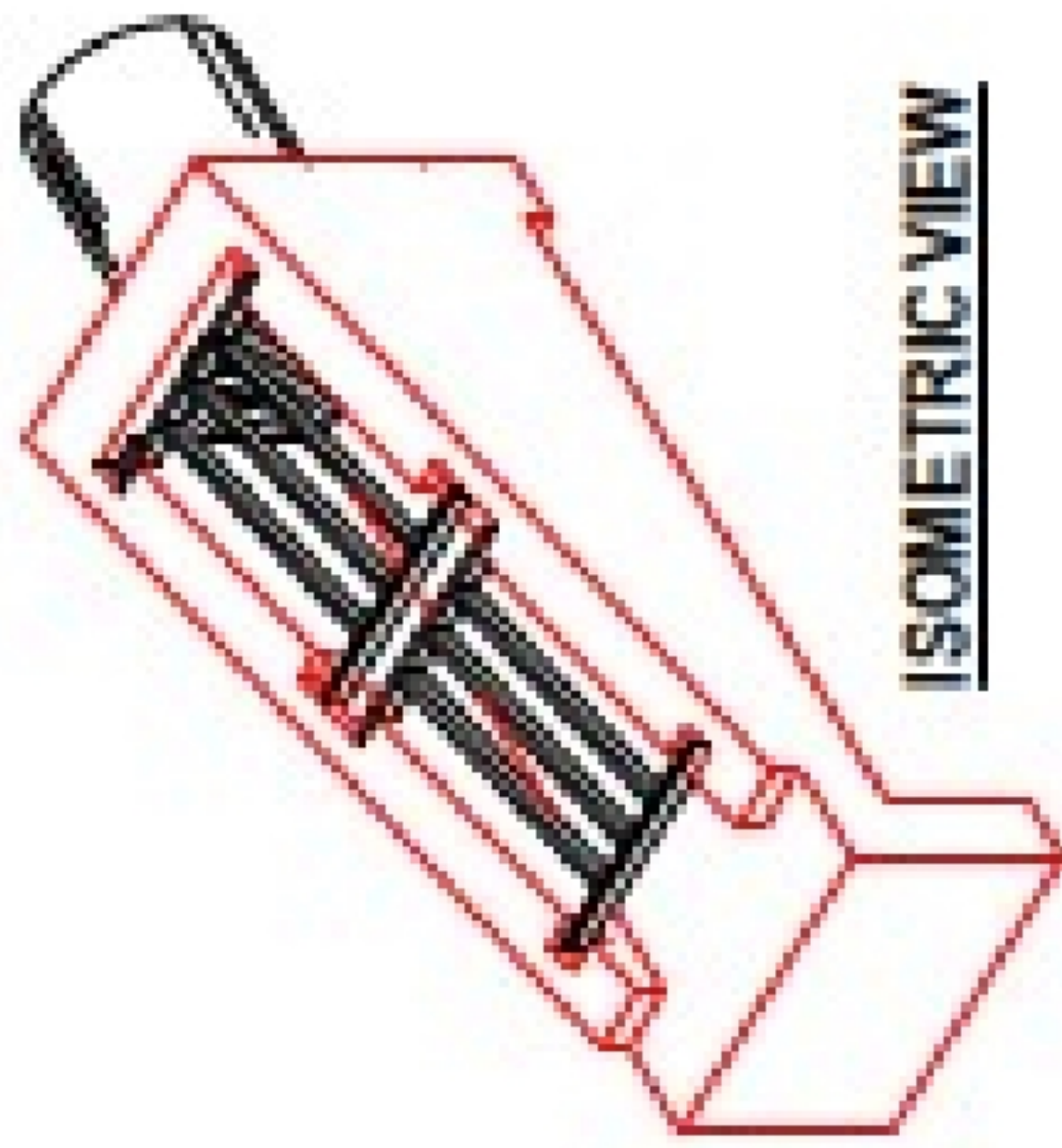




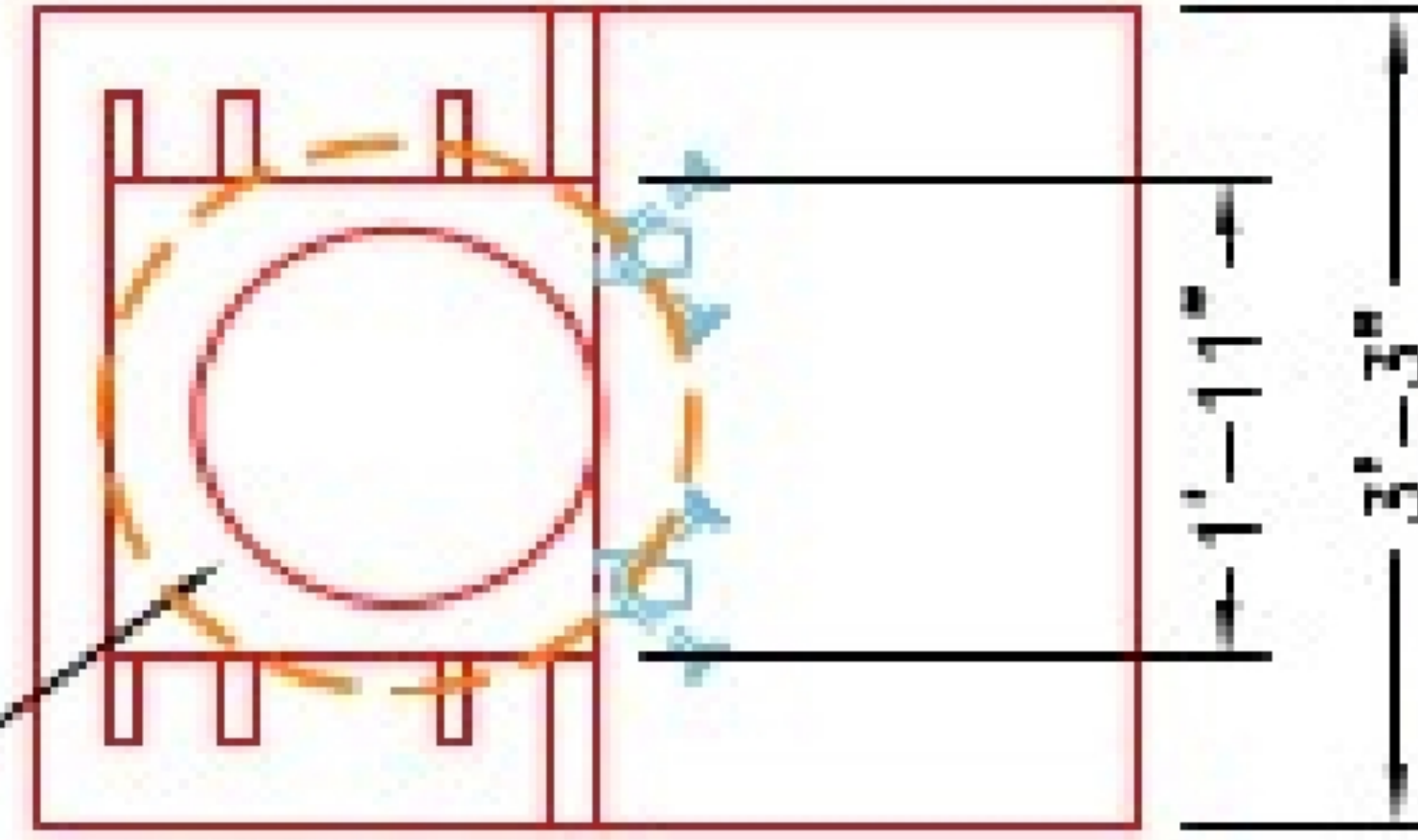
**Structure ID: 54429(6)**

**P1 HWSBO18**

**18" - SLOPED BOX OUTLET TYPE 1 F/F**

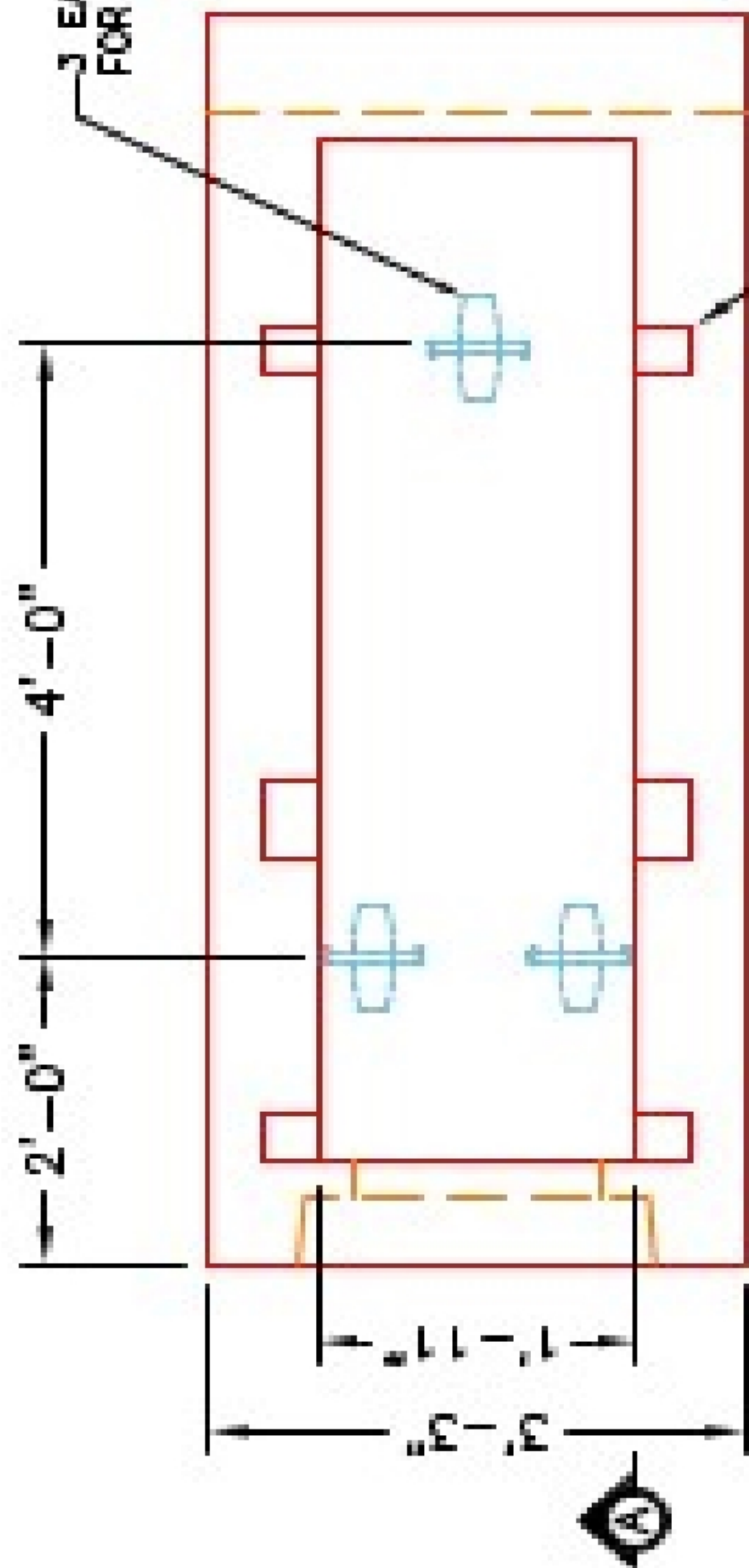


ISOMETRIC VIEW



FRONT ELEVATION

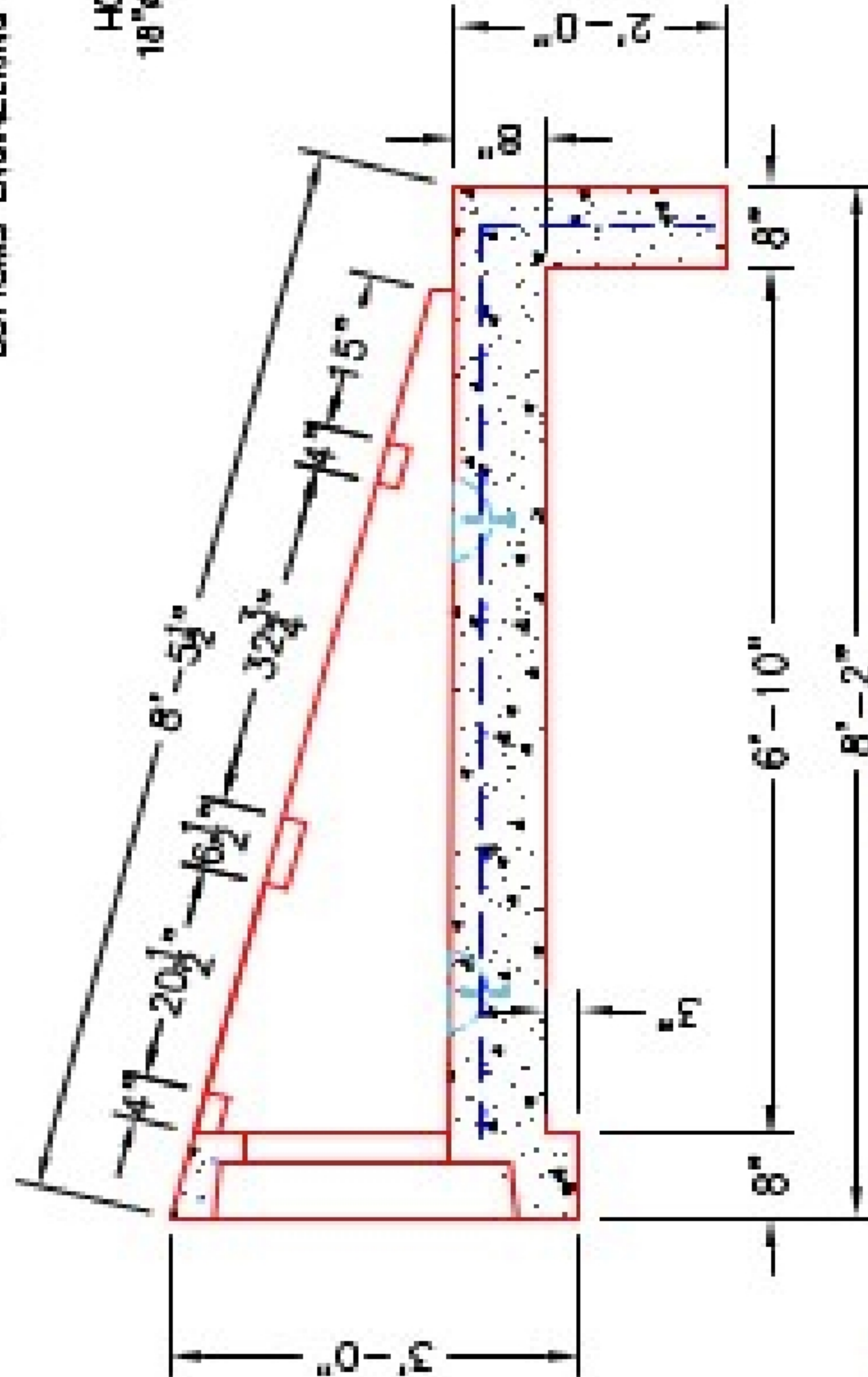
3 EA. CONAC 4CA14 ANCHORS FOR PLANT & FELD HANDLING.



PLAN VIEW

SLOTS AS REQUIRED FOR STRUCTURAL STEEL GRATES (NOT SHOWN) AS SUPPLIED BY BOTTOMS ENGINEERING OR J.R. HOE & SONS.

18" TO 26" STEPPED HOLE FORMER FOR 18" PIPE 18" TO BE FLUSH WITH FLOOR.



SECTION A-A

- NOTES:**
1. CONCRETE, KYTC APPROVED.
  2. REINFORCING: #6 BAR @ 12" C/C E.W. - GRADE 60 (WITH 2" CONCRETE COVER MINIMUM)
  3. REINFORCING BARS TO BE TACK WELDED OR TIED.
  4. PIPE AND LIFTING ANCHOR ROCKETS TO BE ORIGINATED WITH KYTC APPROVED NON-SHRINK GROUT.
  5. DRAWING TO BE USED IN CONJUNCTION WITH KYTC STD. DRAWINGS R08-100-00 & R08-101-00 AND THE STANDARD SPECIFICATIONS FOR ROAD AND BRIDGE CONSTRUCTION.
  6. 2" CHAMFER ON ALL EXPOSED CORNERS.
  7. PREFORMED STEPPED HOLE SIZED AS PER O.D. OF PIPE + 3"-4".

<b>PRODUCTION WORK ORDER</b>		PRODUCT I.D.: HWSBO18	DESCRIPTION: KYTC 18" SLOPED BOX OUTLET TYPE 1
QUALITY CONTROL CHECKLIST		PRODUCT VIEW: RIGHT SIDE UP	CUSTOMER: ??
<input type="checkbox"/>	ALL DIMENSIONS CORRECT.	PLANT: BEAVER DAM, KY.	PROJECT: ??
<input type="checkbox"/>	LIFTERS INSTALLED.	WEIGHT: 4,900 LBS.	STRUCTURE ID: ??
<input type="checkbox"/>	STEPPED IF CORRECT SIZE.	TOP SECTION JOINT: N/A	QUOTE/SALES ORDER NO: ??
<input type="checkbox"/>	REINFORCING CORRECT.	BASE SECTION JOINT: N/A	P.C.: T. SEKULA
<input type="checkbox"/>	SLOTS INSTALLED FOR GRATES.	QC CHECK INITIALS:	DRAWING: N. RICHARDS
<input type="checkbox"/>	EDGES CHAMFERED.		DATE: 11/11/22
<input type="checkbox"/>	ALL PATCHWORK ACCEPTABLE.		SCALE: NTS
			PG. 1 of 1

