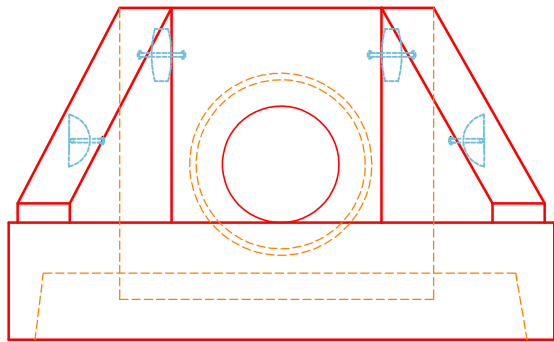


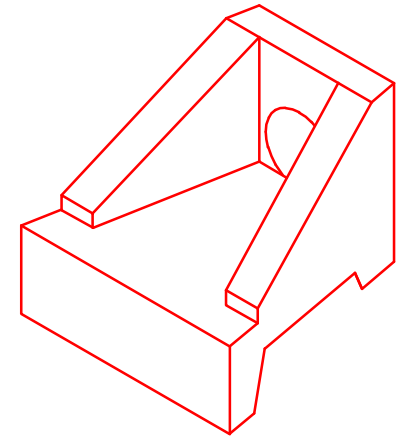
PLAN VIEW



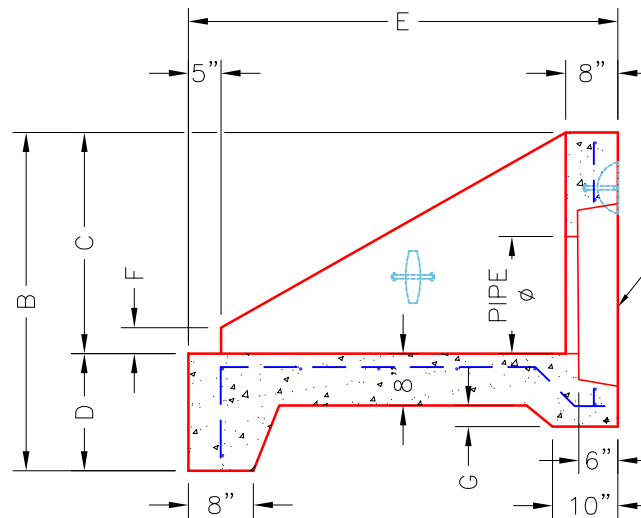
FRONT ELEVATION

DIMENSIONS										
PIPE ϕ	A	B	C	D	E	F	G	H	I	WEIGHT
12"	2'-9"	3'-6"	2'-0"	1'-6"	4'-0"	3"	2 $\frac{3}{8}$ "	1'-6"	4'-9"	3,161 LBS.
15"	2'-9"	3'-6"	2'-0"	1'-6"	4'-0"	3"	2 $\frac{3}{8}$ "	1'-10"	4'-9"	3,161 LBS.
18"	3'-6"	4'-4"	2'-10"	1'-6"	5'-0"	4"	3 $\frac{1}{4}$ "	2'-2"	6'-0"	5,127 LBS.
24"	3'-6"	4'-4"	2'-10"	1'-6"	5'-0"	4"	3 $\frac{1}{4}$ "	2'-10"	6'-0"	5,127 LBS.

"A-ANCHOR" LIFTING SYSTEM FOR PLANT & FIELD HANDLING.



ISOMETRIC VIEW



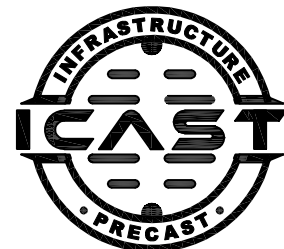
SECTION A-A

STEPPED HOLE FORMER FOR CORRESPONDING PIPE ϕ . (PIPE O.D. + 3"-4")

~NOTES:

1. CONCRETE: KYTC APPROVED.
2. REINFORCING: #4 BAR @ 12" C/C E.W.-GRADE 60, (WITH 2" CONCRETE COVER MINIMUM)
3. REINFORCING BARS TO BE TACK WELDED OR TIED.
4. PIPE AND LIFTING ANCHOR POCKETS TO BE GROUTED WITH KYTC APPROVED NON-SHRINK GROUT.
5. DRAWING TO BE USED IN CONJUNCTION WITH KYTC STD. DRAWING RDH-020-03 AND THE STANDARD SPECIFICATIONS FOR ROAD AND BRIDGE CONSTRUCTION.
6. $\frac{3}{4}$ " CHAMFER ON ALL EXPOSED EDGES.
7. PREFORMED STEPPED HOLE SIZED AS PER O.D. OF PIPE + 3"-4".

INFRASTRUCTURE PRECAST, INC.
 981 WEST 7TH ST., BEAVER DAM, KY. 42320
 PHONE: (270) 363-2238, FAX: (270) 298-7424



KYTC 12"-24" SLOPED & FLARED HEADWALL

DRAWING NO.: KYTC SF-HW	DATE: 12-14-20
REVIEWED BY: J.H. ROSS, PE	DRAWN BY: N. RICHARDS
WEB: WWW.ICASTINC.COM	SCALE: NTS