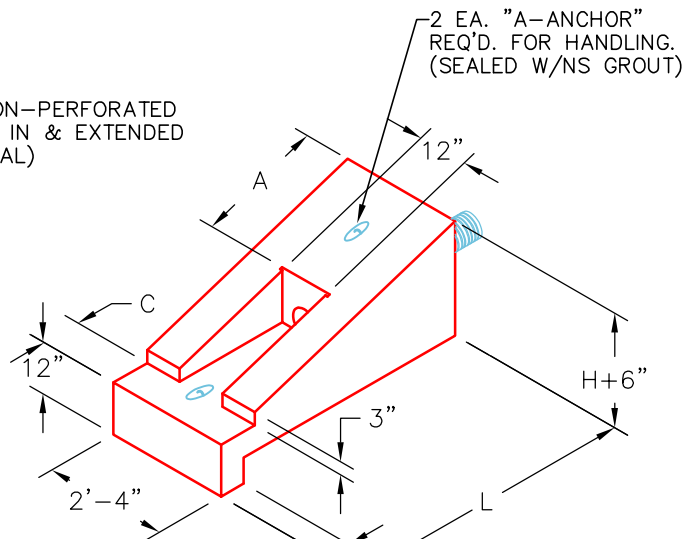


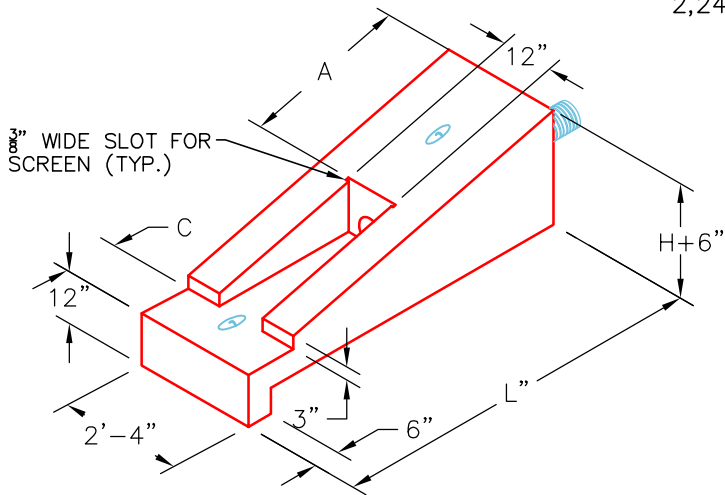
**2:1 (TYPE 1)**

1,520 LBS.



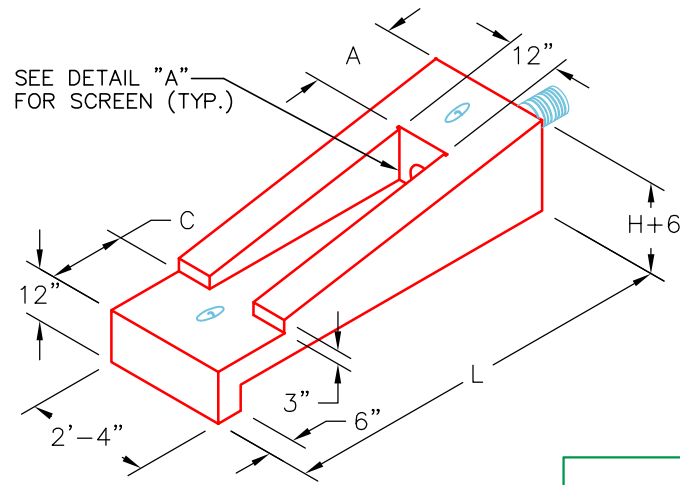
**3:1 (TYPE 2)**

2,240 LBS.



**4:1 (TYPE 3)**

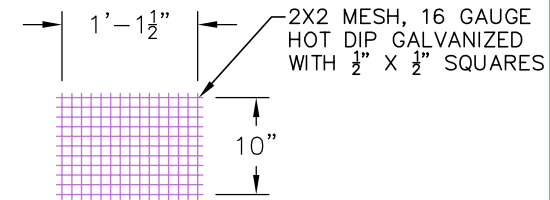
2,960 LBS.



**6:1 (TYPE 4)**

2,480 LBS.

PIPE DIA.	SLOPE	DIMENSIONS				CLASS "A" CONCRETE
		L	H	A	C	CU. YDS.
4" AND 6"	2 : 1	3'-4 <sup>7</sup> / <sub>8</sub> "	1'-8 <sup>1</sup> / <sub>16</sub> "	1'-6"	6"	0.38
	3 : 1	5'-1 <sup>5</sup> / <sub>16</sub> "		2'-3"	9"	0.56
	4 : 1	6'-9 <sup>3</sup> / <sub>4</sub> "		3'-0"	1'-0"	0.74
8"	6 : 1	7'-2 <sup>5</sup> / <sub>8</sub> "	1'-2 <sup>1</sup> / <sub>16</sub> "	1'-6"	1'-6"	0.62
	2 : 1	3'-9 <sup>1</sup> / <sub>2</sub> "	1'-10 <sup>3</sup> / <sub>4</sub> "	1'-6"	6"	0.43
	3 : 1	5'-8 <sup>1</sup> / <sub>4</sub> "		2'-3"	9"	0.63
4 : 1	7'-7"	3'-0"		1'-0"	0.83	
10"	6 : 1	8'-4 <sup>1</sup> / <sub>2</sub> "	1'-4 <sup>3</sup> / <sub>4</sub> "	1'-6"	1'-6"	0.73
	2 : 1	4'-2"	2'-1"	1'-6"	6"	0.47
	3 : 1	6'-3"		2'-3"	9"	0.69
4 : 1	8'-4"	3'-0"		1'-0"	0.91	
	6 : 1	9'-6"	1'-7"	1'-6"	1'-6"	0.83



**DETAIL "A"**

54429(2) - (1x) 4" Perf. Pipe HW Type 1  
 54429(3) - (1x) 4" Perf. Pipe HW Type 3

~NOTES:

1. CONCRETE: KYTC APPROVED.
2. REINFORCING: #4 BAR @ 12" C/C E.W.-GRADE 60, (WITH 2" CONCRETE COVER MINIMUM)
3. REINFORCING BARS TO BE TACK WELDED OR TIED.
4. PIPE AND LIFTING ANCHOR POCKETS TO BE GROUTED WITH KYTC APPROVED NON-SHRINK GROUT.
5. DRAWING TO BE USED IN CONJUNCTION WITH KYTC STD. DRAWING RDP-010-09 AND THE STANDARD SPECIFICATIONS FOR ROAD AND BRIDGE CONSTRUCTION.
6. <sup>3</sup>/<sub>4</sub>" CHAMFER ON ALL EXPOSED EDGES.

APPROVED FOR DESIGN ONLY

Approved  
 AS PER SPECIFICATION 105.02  
 KYTC DIV. OF CONSTRUCTION  
 12/10/2021 11:19:31 AM

DIVISION OF CONSTRUCTION

INFRASTRUCTURE PRECAST, INC.  
 981 WEST 7TH ST., BEAVER DAM, KY. 42320  
 PHONE: (270) 363-2238, FAX: (270) 298-7424

KYTC PERFORATED PIPE HEADWALLS

DRAWING NO.: KYTC PP-HW DATE: 12-07-21  
 REVIEWED BY: J.H. ROSS, PE DRAWN BY: N. RICHARDS  
 WEB: WWW.ICASTINC.COM SCALE: NTS

