

Job Name: 25-4429 - KYTC Carter Co Call 102 (251120)

Job Location: Grayson, KY 41143

Contractor: Allard Excavation, LLC.

PC: Trevor Lewis

TECH: J. Horsley - A

Plant: Beaver Dam, KY



Structure ID: 4(7)

Spec: KYTC

Type: CBI TYPE A (10')

Size: 24" x 36"

Rim: 652.94'
Invert: 647.86'
Rim to Invert: 5.08'

Sump: 0"
Floor (Top): 647.86'
Floor Height: 8"

Floor (Bot): 647.193'
Overall Height: 5.5'
Slack: 2.96"

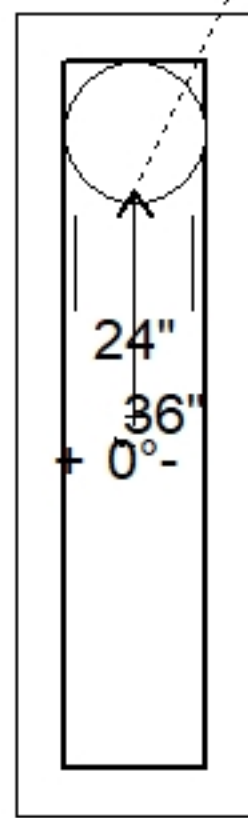
Structure Notes:

- ** KYTC STATE PROJECT **
- PLAN LABEL: CBI#4
- 1. PER KYTC CBI TYPE A / ASTM C913 SPEC'S.
- 2. CONCRETE = 4,000 PI AT 28 DAYS.
- 3. NO INVERT CHANNEL.
- 4. REINFORCING PER ASTM A615 (GRADE 60).
 - TOP PHASE (As .62) #5 BARS AT 6" C.C.E.W.
 - WALLS (As .31) #5 BARS AT 12" C.C.E.W.
 - FLOOR (As .31) #5 BARS AT 12" C.C.E.W.
- 5. THE LISTED RIM ELEVATION IS THE GIVEN FLOWLINE ELEVATION +8".

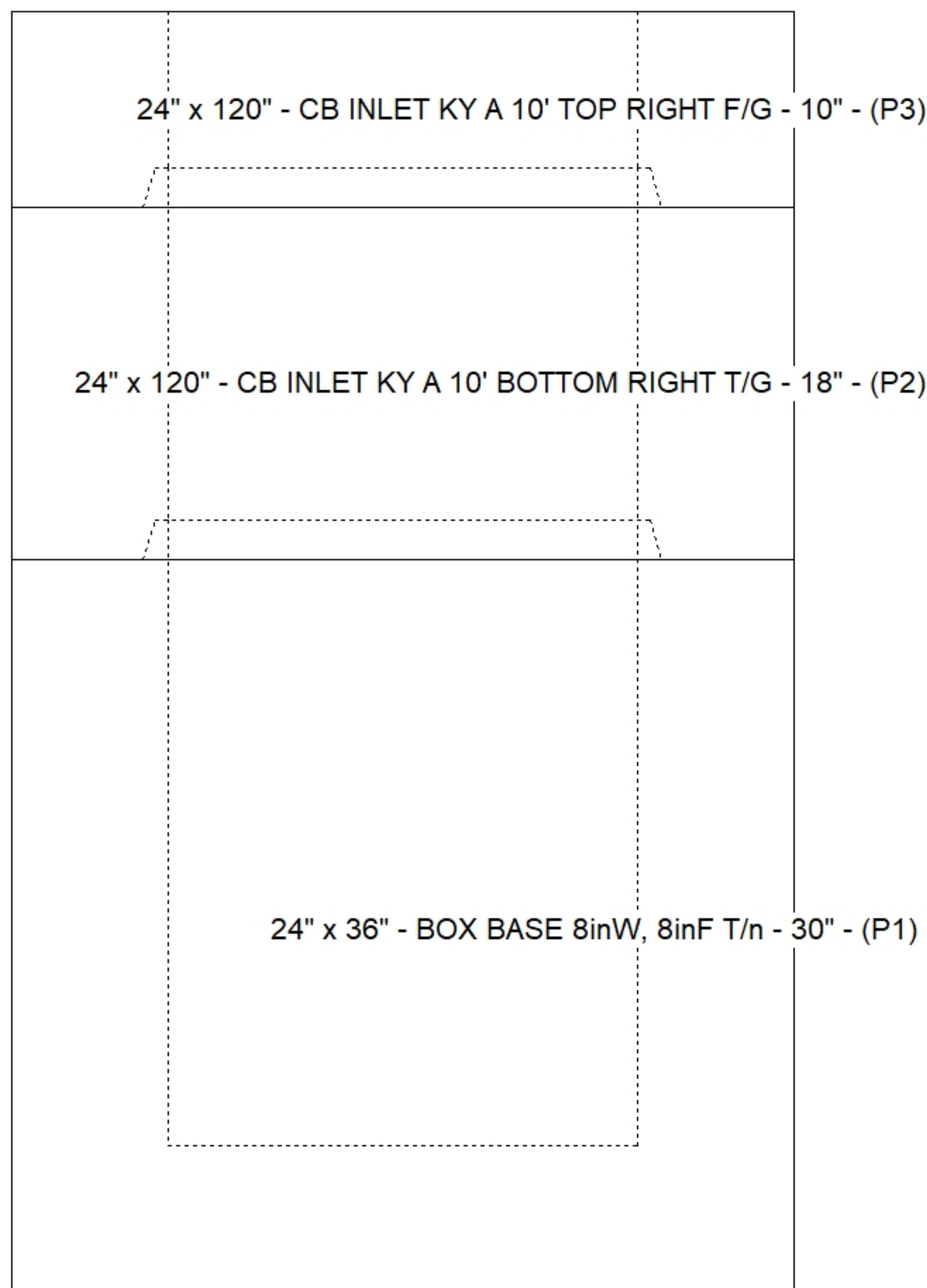
STRUCTURE SUMMARY:

P3) 24" x 120" - CB INLET KY A 10' TOP RIGHT F/G - 10"	3398 lb
P2) 24" x 120" - CB INLET KY A 10' BOTTOM RIGHT T/G - 18"	5270 lb
P1) 24" x 36" - BOX BASE 8inW, 8inF T/n - 30"	4247 lb
1) 24" x 36" - Conseal CS-102 1.00"	0 lb
1) Hole - 20	0 lb
Structure Total:	12914 lb

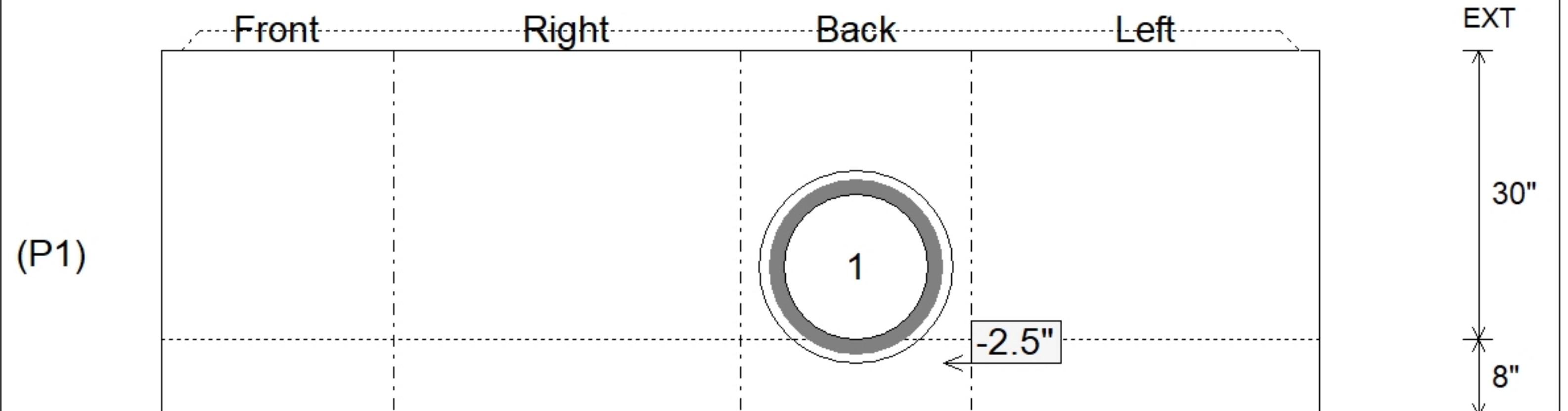
Invert: 1
Degree: 180°



Position	Elev	Angle	Pipe	Pipe OD	Hole	Connector	Up ()	Ref
Rim	652.94'							
Reducer								
Invert 1	647.86'	180°	15" ADS N-12	18"	20"	Hole 20	-2.5"	P1
Invert 2								
Invert 3								
Invert 4								
Invert 5								
Invert 6								
Invert 7								
Invert 8								



Cast (Int. Dim.) - Interior Dimensions



Submittal Drawing
2/2/2026 9:42:49 AM

SUBMITTAL
APPROVED BY: