

Structure ID: 4(7)

P1 BX2436-08BA30

BOX BASE 8inW, 8inF T/n

P3) 24" x 120" - CB INLET KY A 10' TOP RIGHT F/G - 10" P2) 24" x 120" - CB INLET KY A 10' BOTTOM RIGHT T/G - 18" P1) 24" x 36" - BOX BASE 8inW, 8inF T/n - 30" 1) 24" x 36" - Conseal CS-102 1.00" 1) Hole - 20	3398 lb 5270 lb 4247 lb 0 lb 0 lb ----- Structure Total: 12914 lb
---	---

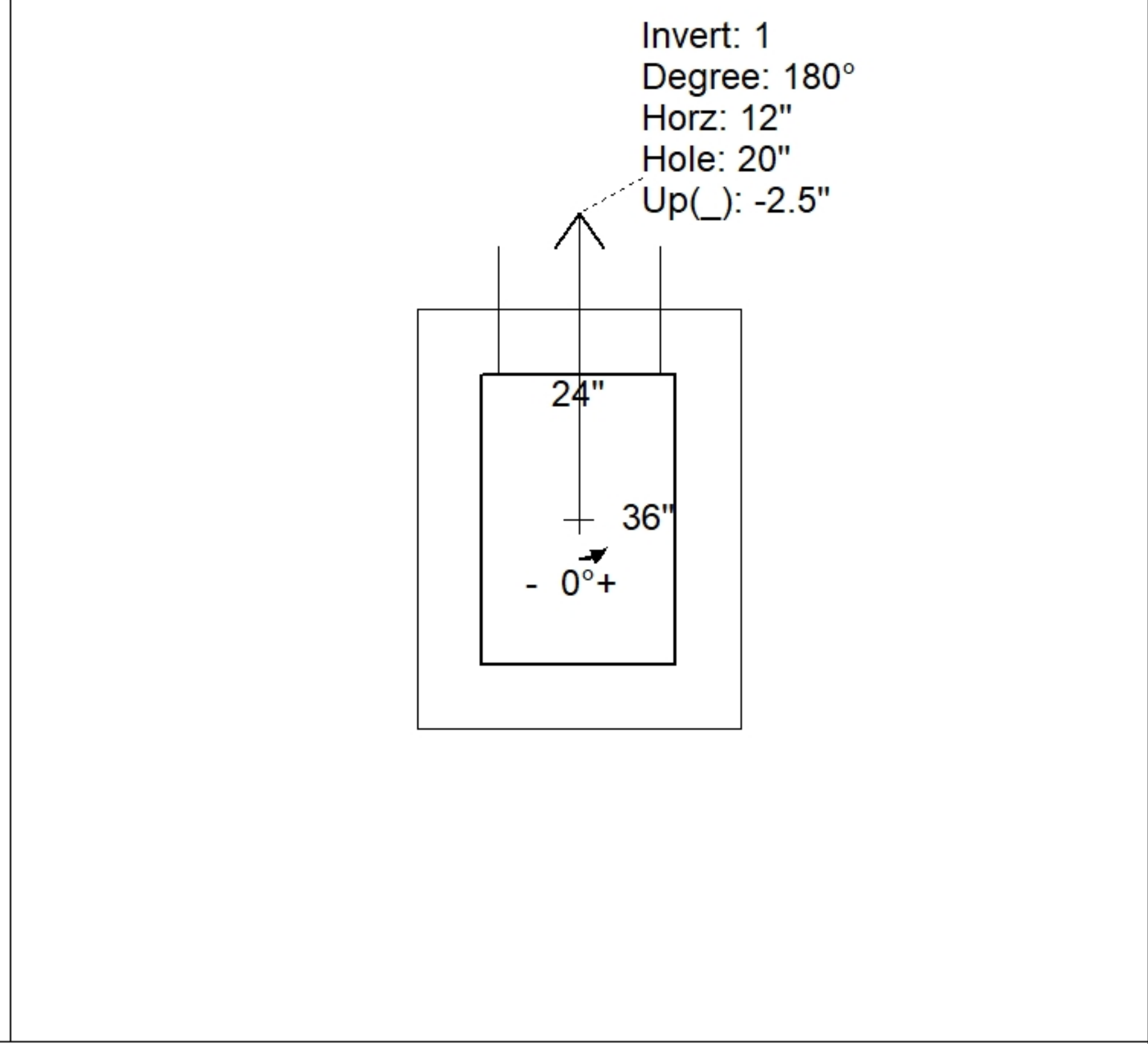
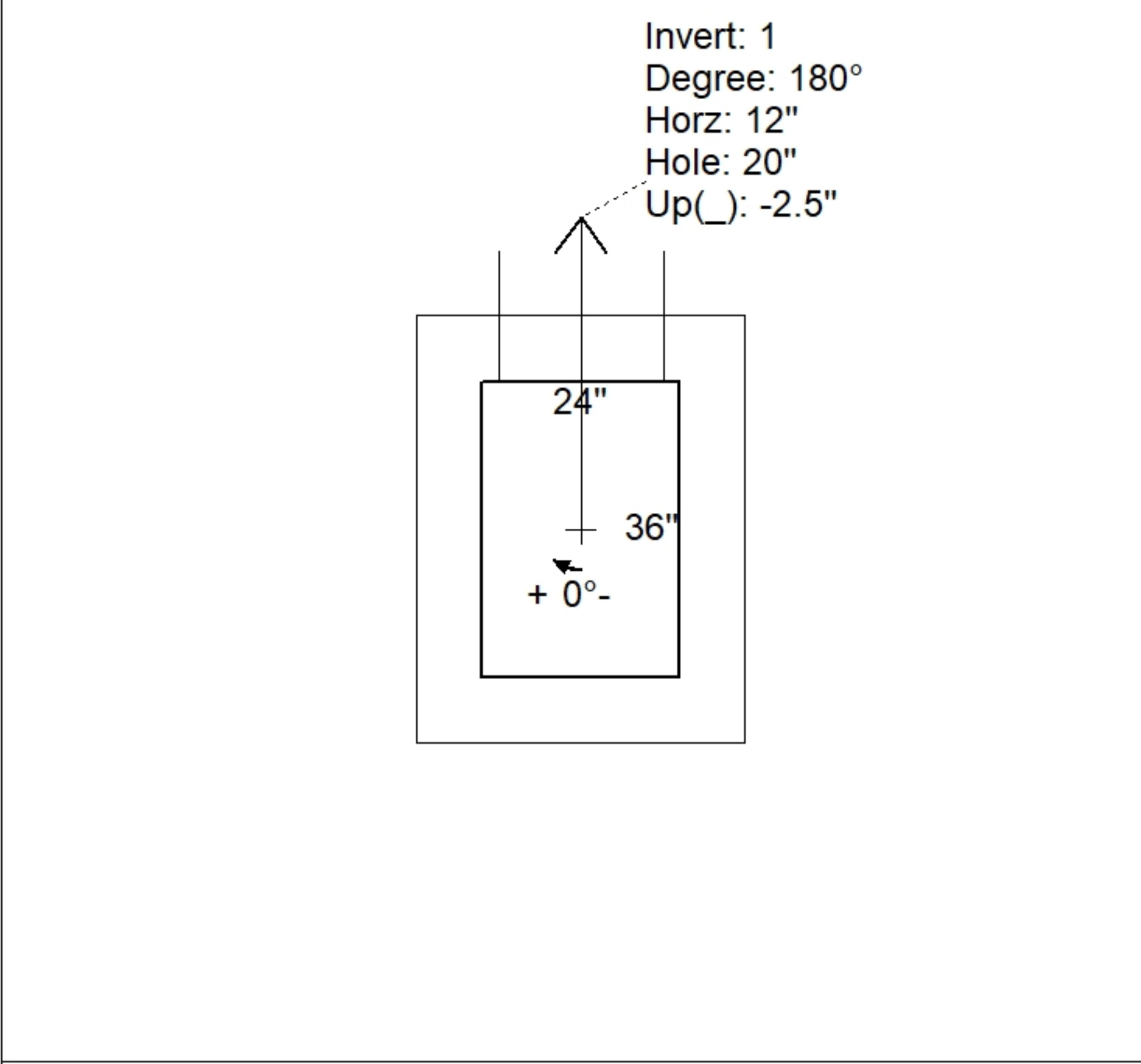
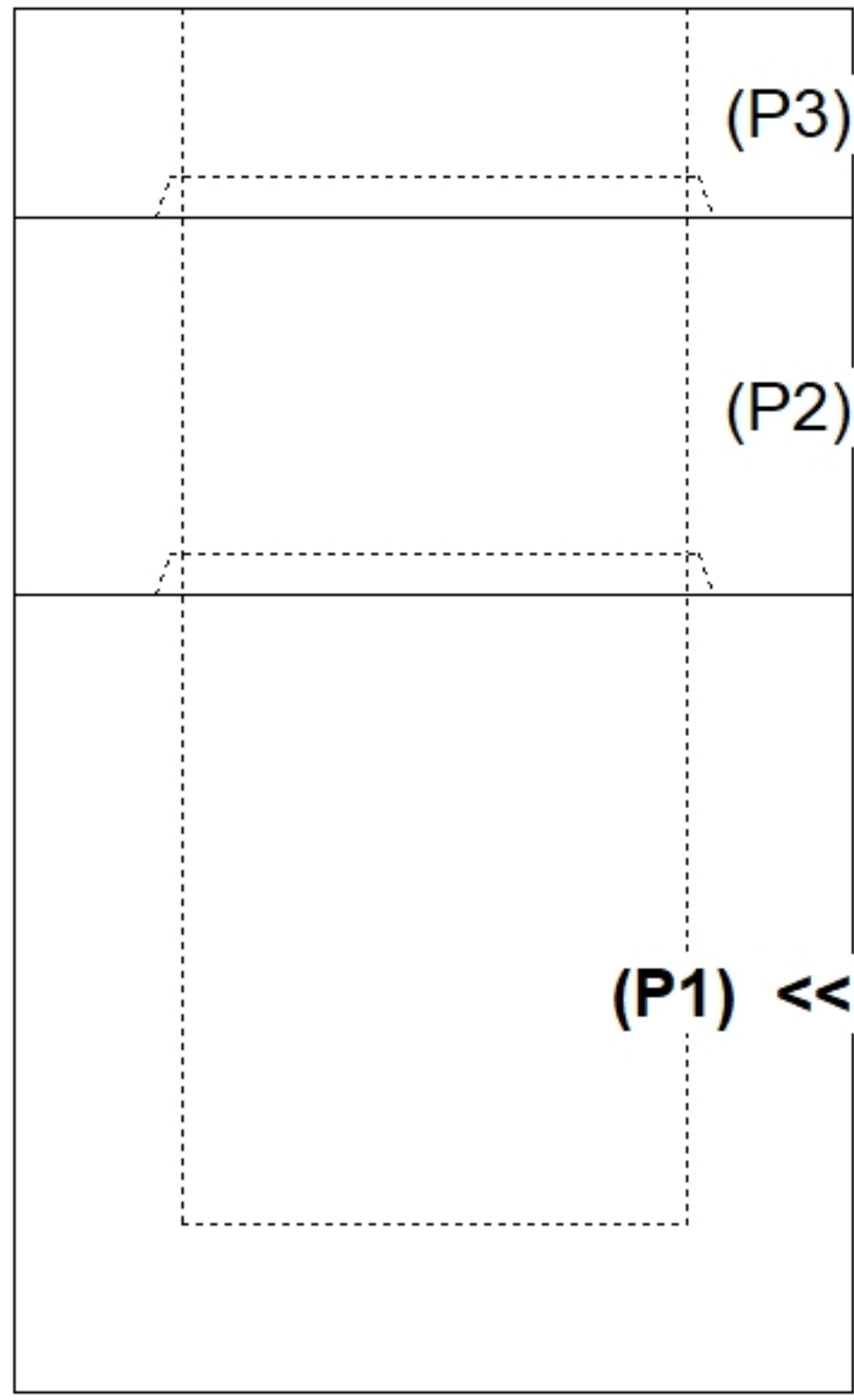
Structure Notes:
 ** KYTC STATE PROJECT **
 PLAN LABEL: CBI#4
 1. PER KYTC CBI TYPE A / ASTM C913 SPEC'S.
 2. CONCRETE = 4,000 PI AT 28 DAYS.
 3. NO INVERT CHANNEL.
 4. REINFORCING PER ASTM A615 (GRADE 60).
 - TOP PHASE (As .62) #5 BARS AT 6" C.C.E.W.
 - WALLS (As .31) #5 BARS AT 12" C.C.E.W.
 - FLOOR (As .31) #5 BARS AT 12" C.C.E.W.
 5. THE LISTED RIM ELEVATION IS THE GIVEN FLOWLINE ELEVATION +8".

Rim: 652.94' Rim to Invert: 5.08' Slack: 2.96" Sump: 0" Step Position:

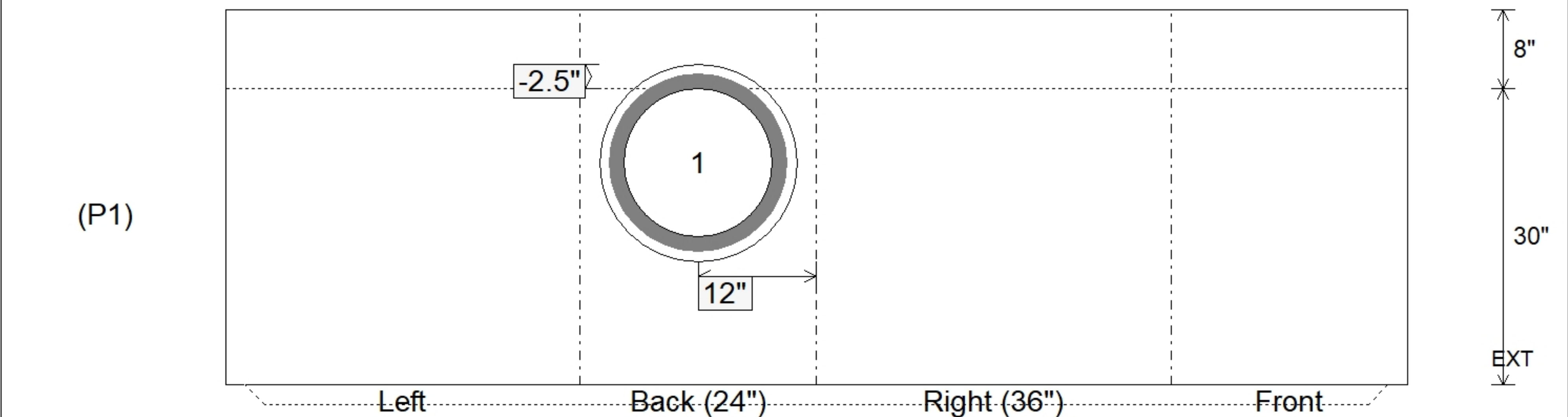
Position	Elev	Angle	Ext. (cw)	Pipe	Pipe OD	Connector	Hole	Horz Size	Up ()	Offset
Invert 1	647.86'	180°	20"	15" ADS N-12	18"	Hole 20	20"	20"	-2.5"	0"
Invert 2										
Invert 3										
Invert 4										
Invert 5										
Invert 6										
Invert 7										
Invert 8										

RIGHT-SIDE UP VIEW (int. dimensions)

UPSIDE-DOWN VIEW (int. dimensions)



INSIDE WALL DIMENSIONS



Coating (Int):	Seam Up: Tongue	Wall Thickness: 8"	Height (Int): 30"
Coating (Ext):	Seam Dn: n/a	Floor Height: 8"	Height (Ext): 38"
			Weight (Net): 4247 lb
			Volume (Net): 1.08cu.yd