

**Job Name: 25-4429 - KYTC Carter Co Call 102 (251120)**  
**Job Location: Grayson, KY 41143**  
**Contractor: Allard Excavation, LLC.**

PC: Trevor Lewis  
 TECH: J. Horsley - A  
 Plant: Beaver Dam, KY



Structure ID: **3(8)**  
 Spec: KYTC  
 Type: CBI TYPE A (10')  
 Size: 24" x 36"

Rim: 652.35'  
 Invert: 647.08'  
 Rim to Invert: 5.27'

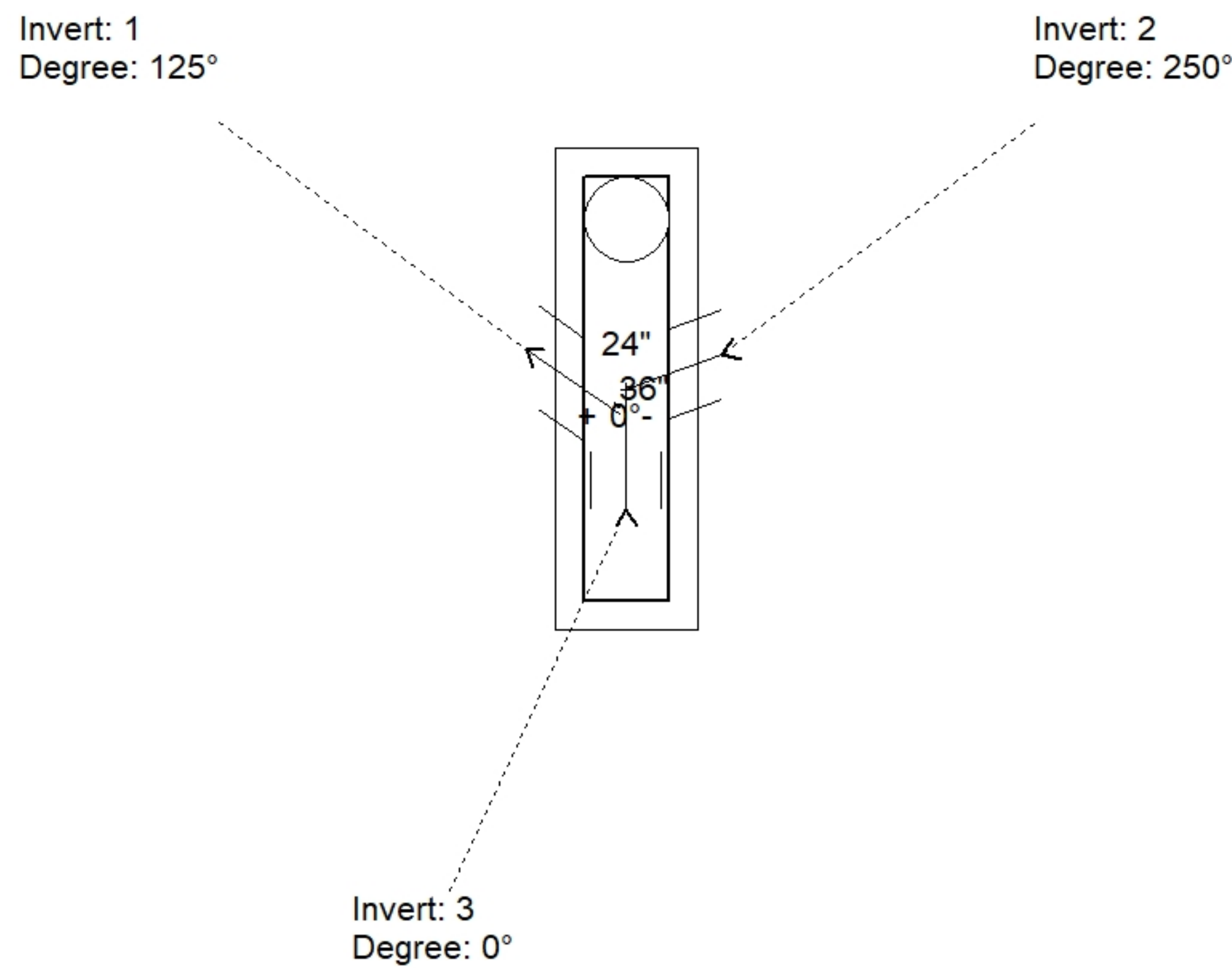
Sump: 0"  
 Floor (Top): 647.08'  
 Floor Height: 8"

Floor (Bot): 646.413'  
 Overall Height: 5.917'  
 Slack: 0.24"

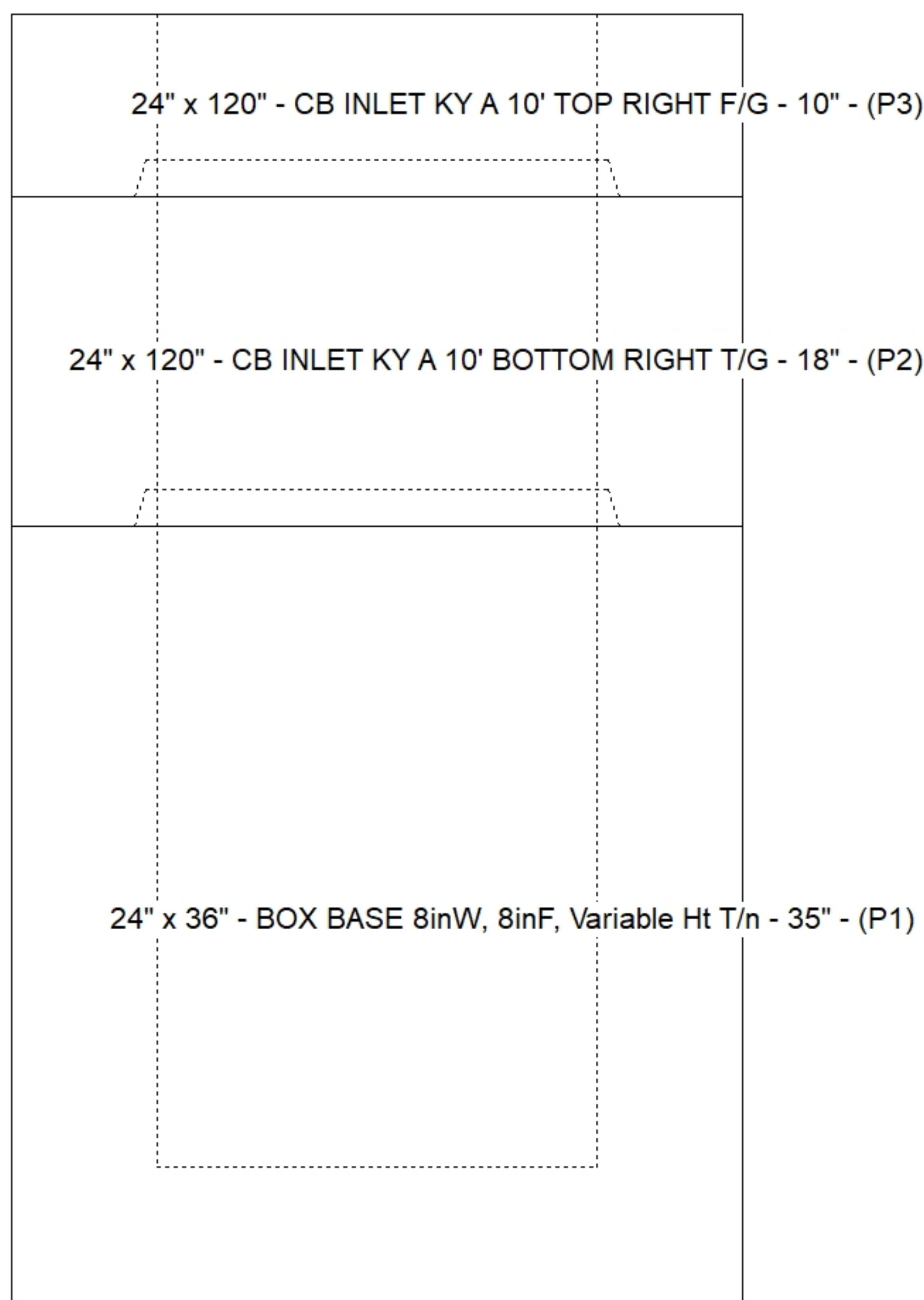
**Structure Notes:**  
 \*\* KYTC STATE PROJECT \*\*  
 PLAN LABEL: CBI#3  
 1. PER KYTC CBI TYPE A / ASTM C913 SPEC'S.  
 2. CONCRETE = 4,000 PI AT 28 DAYS.  
 3. NO INVERT CHANNEL.  
 4. REINFORCING PER ASTM A615 (GRADE 60).  
 - TOP PHASE (As .62) #5 BARS AT 6" C.C.E.W.  
 - WALLS (As .31) #5 BARS AT 12" C.C.E.W.  
 - FLOOR (As .31) #5 BARS AT 12" C.C.E.W.  
 5. THE LISTED RIM ELEVATION IS THE GIVEN FLOWLINE ELEVATION +8".

**STRUCTURE SUMMARY:**

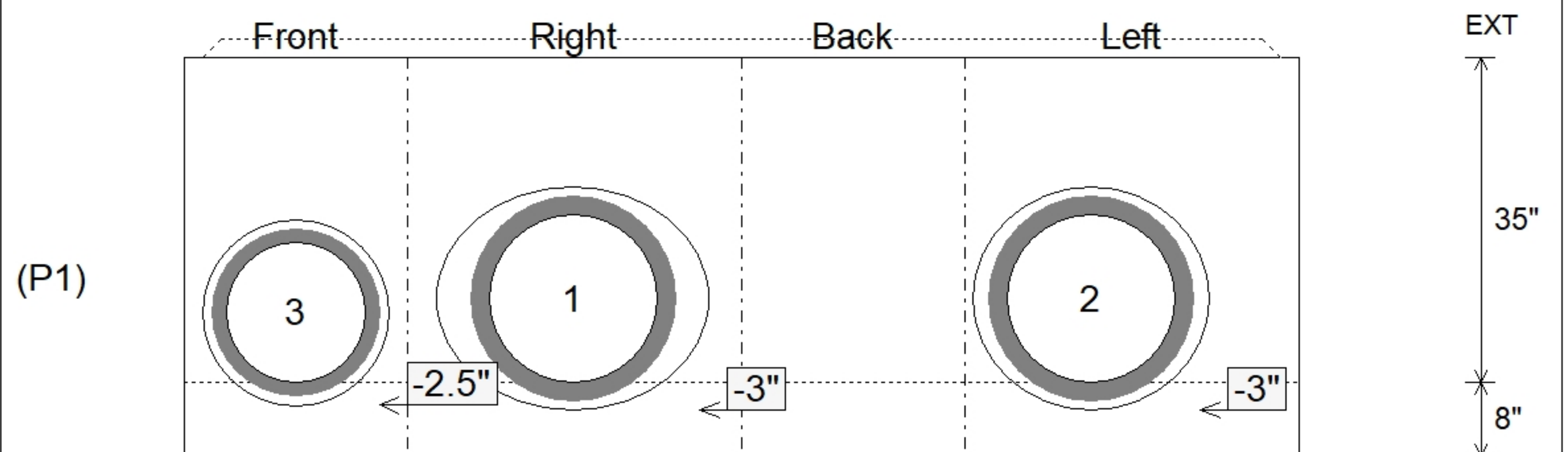
P3) 24" x 120" - CB INLET KY A 10' TOP RIGHT F/G - 10"	3398 lb
P2) 24" x 120" - CB INLET KY A 10' BOTTOM RIGHT T/G - 18"	5270 lb
P1) 24" x 36" - BOX BASE 8inW, 8inF, Variable Ht T/n - 35"	4063 lb
1) 24" x 36" - Conseal CS-102 1.00"	0 lb
2) Hole - 24	0 lb
1) Hole - 20	0 lb
<b>Structure Total:</b>	<b>12731 lb</b>



Position	Elev	Angle	Pipe	Pipe OD	Hole	Connector	Up (")	Ref
Rim	652.35'							
Reducer								
Invert 1	647.08'	125°	18" ADS N-12	22"	24"	Hole 24	-3"	P1
Invert 2	647.08'	250°	18" ADS N-12	22"	24"	Hole 24	-3"	P1
Invert 3	647.08'	0°	15" ADS N-12	18"	20"	Hole 20	-2.5"	P1
Invert 4								
Invert 5								
Invert 6								
Invert 7								
Invert 8								



**Cast (Int. Dim.) - Interior Dimensions**



Submittal Drawing  
 2/2/2026 9:42:49 AM

SUBMITTAL  
 APPROVED BY: