

Structure ID: 2(9)

P1 BX2436-08BVF

BOX BASE 8inW, 8inF, Variable Ht T/n

P3) 24" x 120" - CB INLET KY A 10' TOP SAG F/G - 10" P2) 24" x 120" - CB INLET KY A 10' BOTTOM SAG T/G - 18" P1) 24" x 36" - BOX BASE 8inW, 8inF, Variable Ht T/n - 29" 1) 24" x 36" - Conseal CS-102 1.00" 1) Hole - 24 1) Hole - 20	3398 lb 5270 lb 3821 lb 0 lb 0 lb 0 lb 0 lb <hr/> Structure Total: 12489 lb
--	--

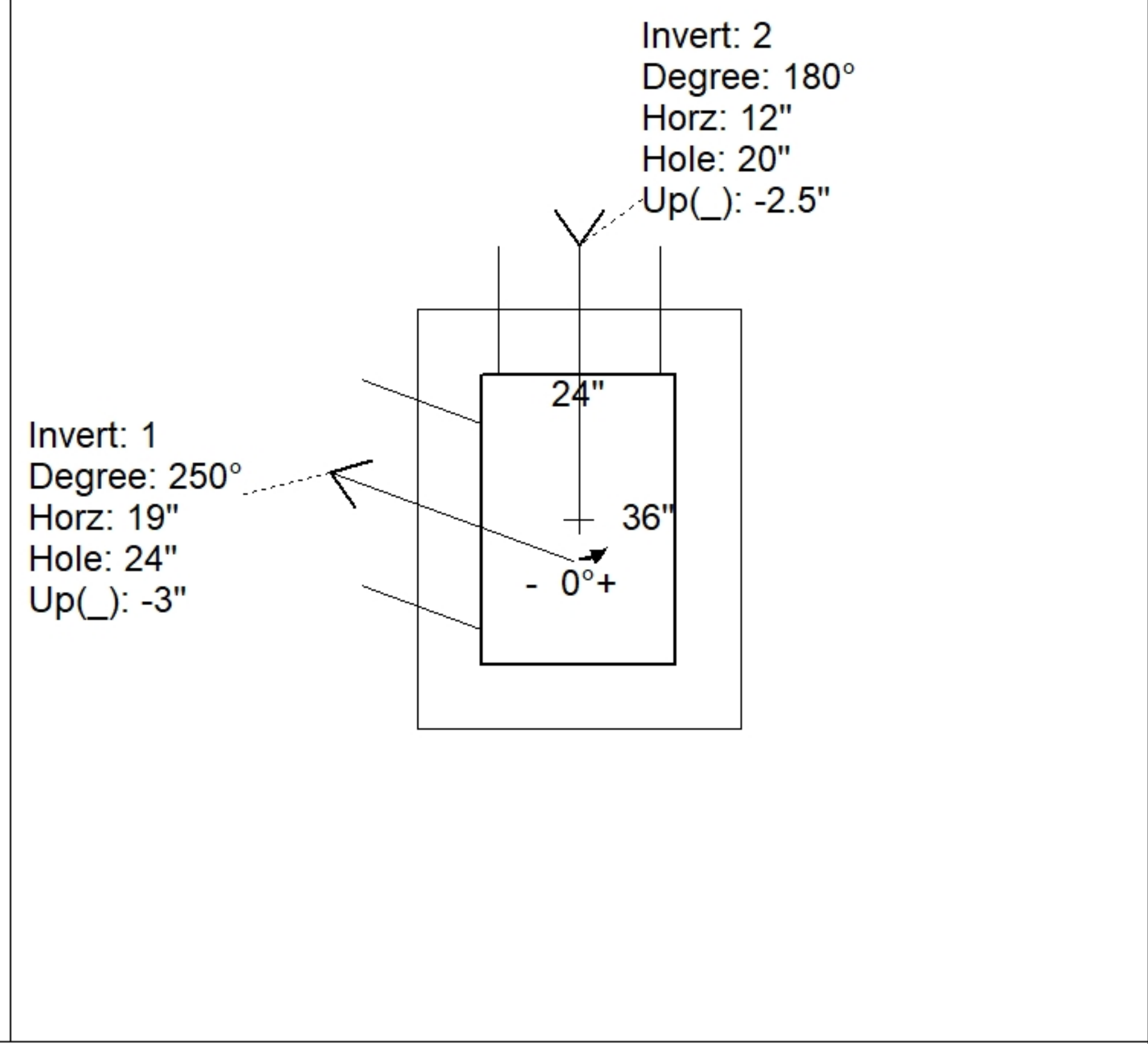
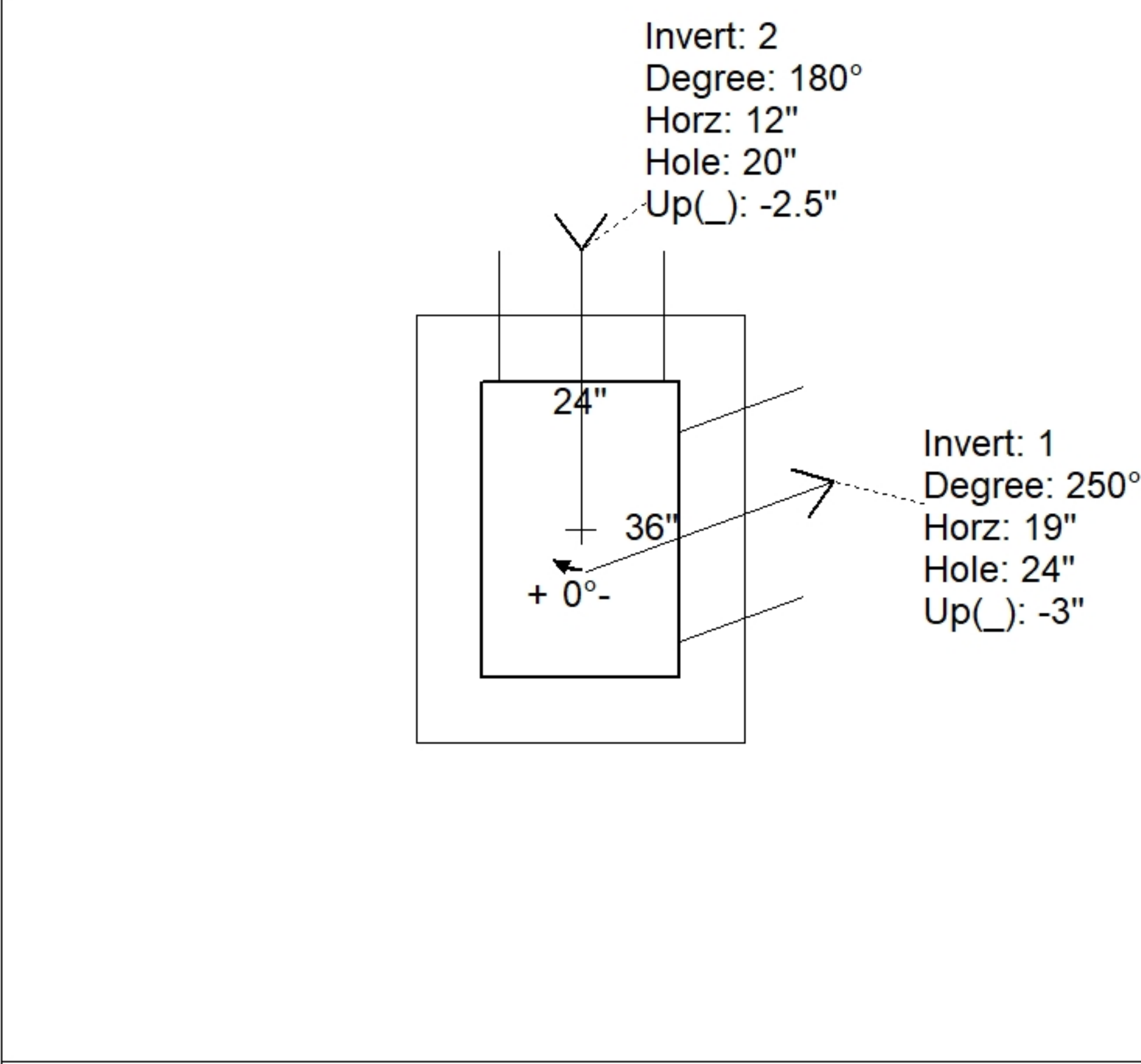
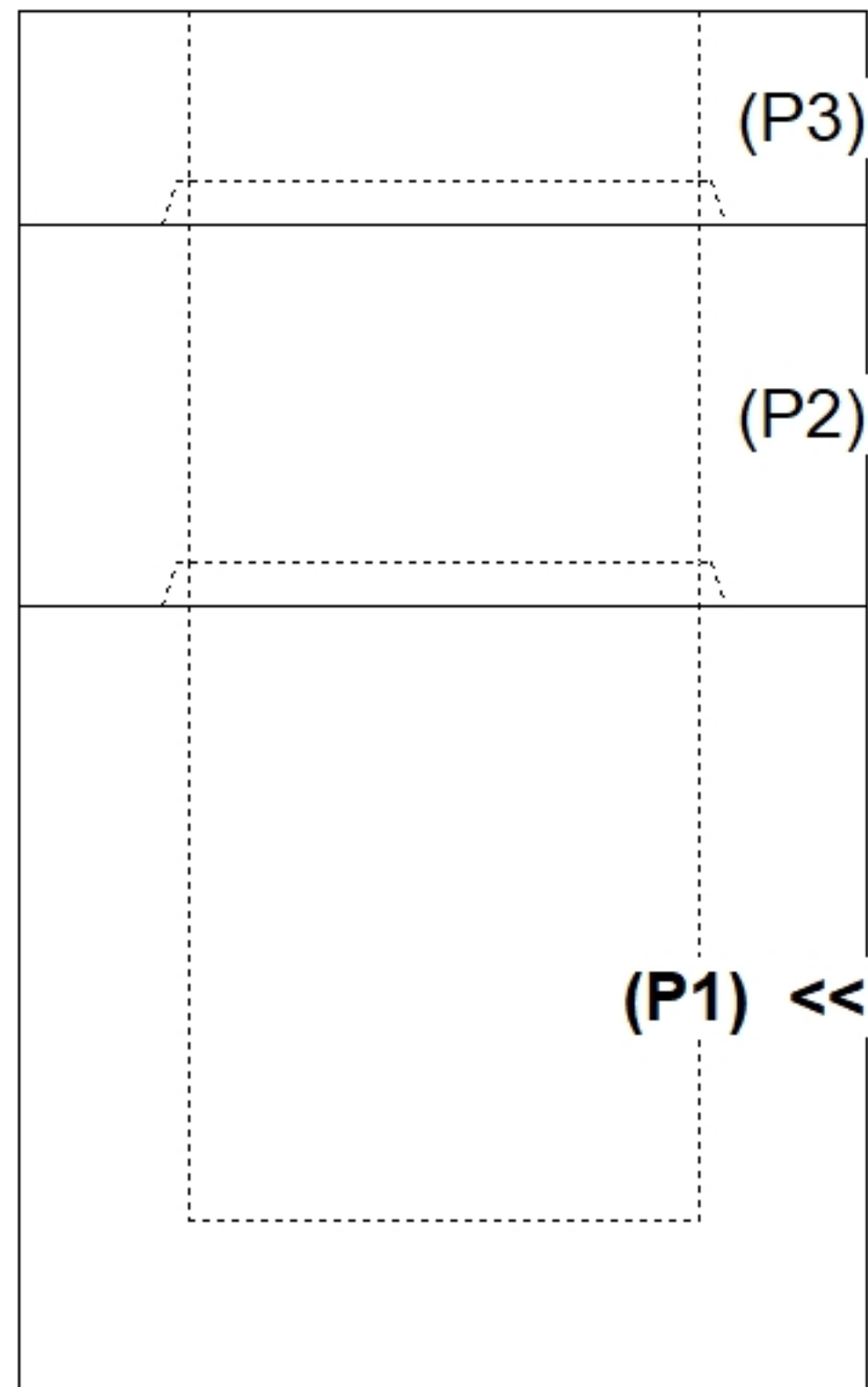
Structure Notes:
 ** KYTC STATE PROJECT **
 PLAN LABEL: CBI#2
 1. PER KYTC CBI TYPE A / ASTM C913 SPEC'S.
 2. CONCRETE = 4,000 PI AT 28 DAYS.
 3. NO INVERT CHANNEL.
 4. REINFORCING PER ASTM A615 (GRADE 60).
 - TOP PHASE (As .62) #5 BARS AT 6" C.C.E.W.
 - WALLS (As .31) #5 BARS AT 12" C.C.E.W.
 - FLOOR (As .31) #5 BARS AT 12" C.C.E.W.
 5. THE LISTED RIM ELEVATION IS THE GIVEN FLOWLINE ELEVATION +8".

Rim: 652.16' Rim to Invert: 4.76' Slack: 0.12" Sump: 0" Step Position:

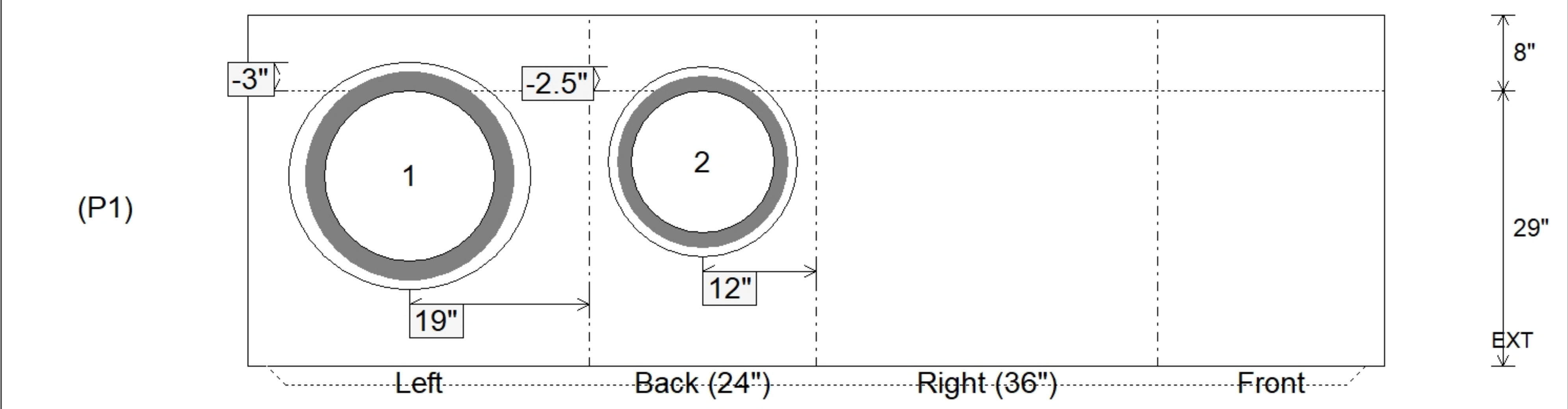
Position	Elev	Angle	Ext. (cw)	Pipe	Pipe OD	Connector	Hole	Horz Size	Up ()	Offset
Invert 1	647.4'	250°	24"	18" ADS N-12	22"	Hole 24	24"	25.54"	-3"	5"
Invert 2	647.4'	180°	20"	15" ADS N-12	18"	Hole 20	20"	20"	-2.5"	0"
Invert 3										
Invert 4										
Invert 5										
Invert 6										
Invert 7										
Invert 8										

RIGHT-SIDE UP VIEW (int. dimensions)

UPSIDE-DOWN VIEW (int. dimensions)



INSIDE WALL DIMENSIONS



Coating (Int): Coating (Ext):	Seam Up: Tongue Seam Dn: n/a	Wall Thickness: 8" Floor Height: 8"	Height (Int): 29" Height (Ext): 37"	Weight (Net): 3821 lb Volume (Net): 0.98cu.yd
----------------------------------	---------------------------------	--	--	--