

Job Name: 25-4427 Princeton Meter Vault
Job Location: Princeton, KY
Contractor: Core & Main LP (BG)

PC: E. Bradley
 TECH: J. Coppage
 Plant: Beaver Dam



Structure ID: **60IN X 120IN METER VAULT**
 Spec: Storm
 Type: BX 6inW, 6inF, w/FLANGE
 Size: 60" x 120"

Rim: 5.668'
 Invert: 0'
 Rim to Invert: 5.668'

Sump: 0"
 Floor (Top): 0"
 Floor Height: 6"

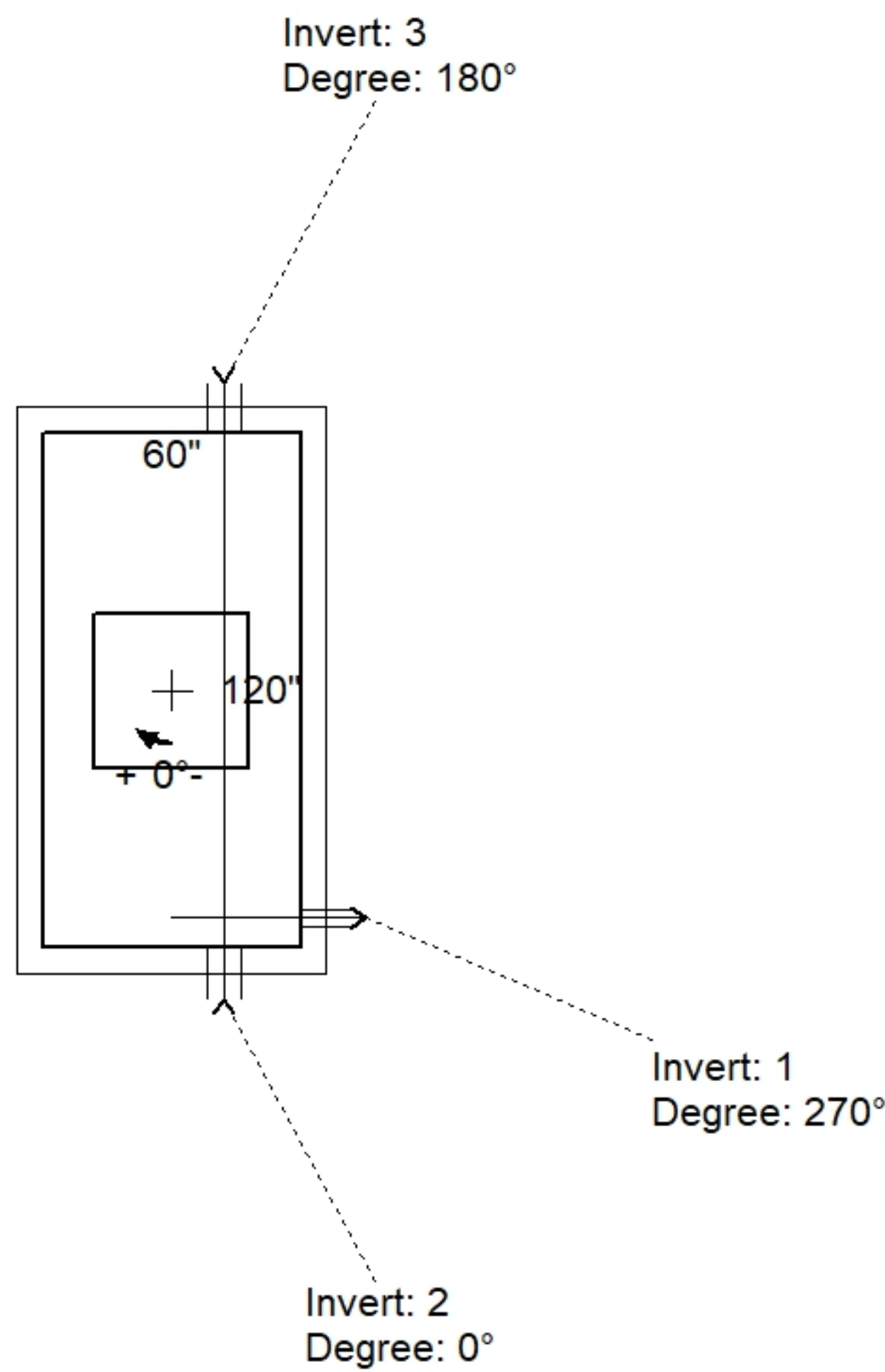
Floor (Bot): -0.5'
 Overall Height: 6.167'
 Slack: 0.014"

Structure Notes:

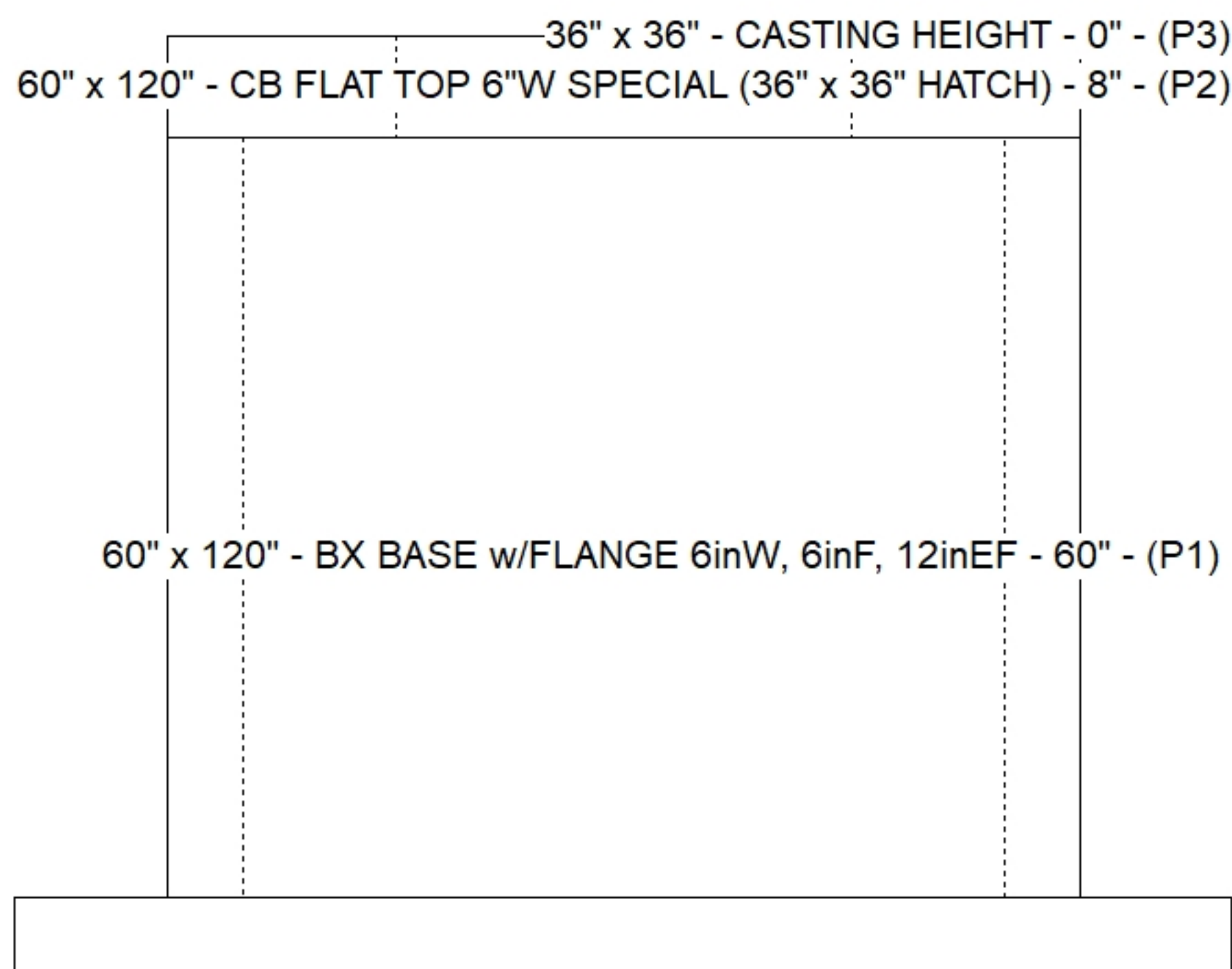
1. PER ASTM C913 SPECIFICATIONS.
2. CONCRETE = 45,000 PSI AT 28 DAYS.
3. REINFORCING PER ASTM A615 (GRADE 60).
 - TOP SLAB (As .62) #5 BARS AT 6" C.C.E.W.
 - WALLS (As .12) #5 BARS AT 8" C.C.E.W.
 - FLOOR (As .12) #5 BARS AT 8" C.C.E.W.
4. HALLIDAY H1W 36" X 36" HATCH PROVIDED BY ICAST
5. HATCH TO BE CAST INTO THE TOP SLAB.
6. STEPS AT 12" C/C PROVIDED BY ICAST.
7. JOINT TO BE SEALED WITH CS-102 1" DOUBLE.
8. PRE-ASSEMBLY OF INTERNALS BY ICAST.

STRUCTURE SUMMARY:

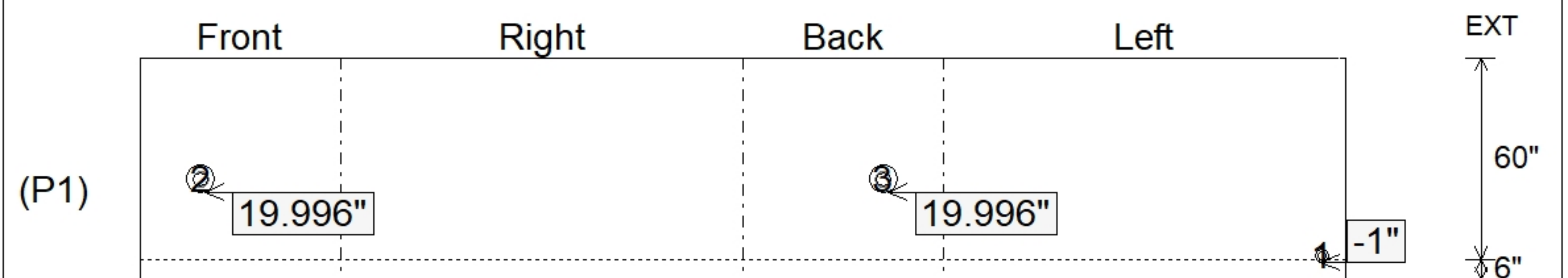
P3) 36" x 36" - CASTING HEIGHT - 0"	0 lb
P2) 60" x 120" - CB FLAT TOP 6"W SPECIAL (36" x 36" HATCH) - 8"	5510 lb
P1) 60" x 120" - BX BASE w/FLANGE 6inW, 6inF, 12inEF - 60"	19083 lb
1) ASSEMBLY REQUIRED	0 lb
1) SECONDARY POUR - WALLS	0 lb
1) This Structure Includes a Cast-in Item - 36" X 36" HATCH	0 lb
1) Grout Slope To Drain - *	890 lb
1) 60" x 120" - Conseal CS-102 1.00" (Double)	0 lb
1) 36" x 36" - Conseal CS-102 1.00" (Double)	0 lb
1) Hole - 4	0 lb
2) Hole - 8	0 lb
Structure Total:	25483 lb



Position	Elev	Angle	Pipe	Pipe OD	Hole	Connector	Up (")	Ref
Rim	5.668'							
Reducer								
Invert 1	0'	270°	2" DI	2.5"	4"	Hole 4	-1"	P1
Invert 2	1.833'	0°	4" DI	4.75"	8"	Hole 8	19.996"	P1
Invert 3	1.833'	180°	4" DI	4.75"	8"	Hole 8	19.996"	P1
Invert 4								
Invert 5								
Invert 6								
Invert 7								
Invert 8								



Default - Interior Dimensions



Submittal Drawing
 12/17/2025 10:16:40 AM

SUBMITTAL
 APPROVED BY: