

**Structure ID: 2-54423**

**P1 MH048BA36CDARED**

**MH BASE w/ConBlock-CDA Red T/n**

- P4) 24" - CASTING HEIGHT - 7"
- P3) 24" - GRADE RING w/ConBlock-CDA Red F/F - 3"
- P2) 48" - ECC CONE w/ 24" HOLE, w/ConBlock-CDA Red F/G - 30"
- P1) 48" - MH BASE w/ConBlock-CDA Red T/n - 36"
- 1) JOINT WRAP PRIMER - CONSEAL CS-75 (1 gal.)
- 1) JOINT WRAP - 0.065"x6"x50' CONSEAL CS212
- 1) ADMIXTURE CONBLOCK CDA RED
- 1) 48" - MH INVERT CHANNEL w/ConBlock-CDA Red - FULL HEIGHT
- 1) CASTING - HOE MC-375 F/C Sanitary
- 1) 48" - Conseal CS-102 1.00" (Double)
- 2) PSX - 18M DD
- 2) PSX - 12-08 NYLO
- 1) PSX - 8QRS-S NYLO
- 6) MH Step ML-10-TDS-NCR - 10"

- Structure Notes:**
1. PER ASTM C-478 SPECS
  2. CONCRETE: 4,500 PSI AT 28 DAYS
  3. REINFORCEMENT: PER ASTM A615
  4. CONBLOCK CDA RED ADMIXTURE REQUIRED
  5. INVERT CHANNEL REQUIRED
  6. STEPS AT 122 DEGREES
  7. HOE MC-375 FRAME & COVER "SANITARY" SUPPLIED BY ICAST

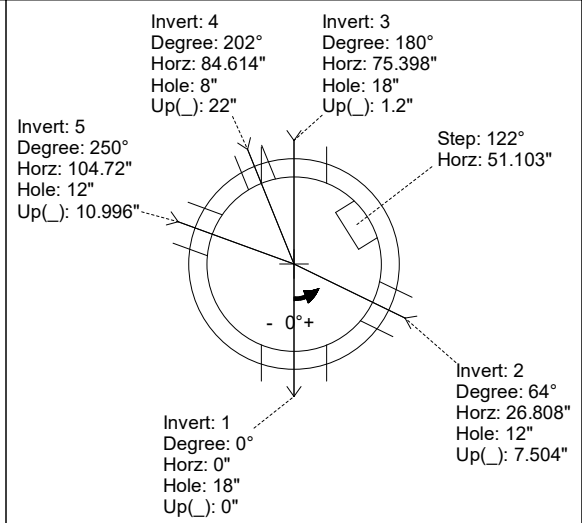
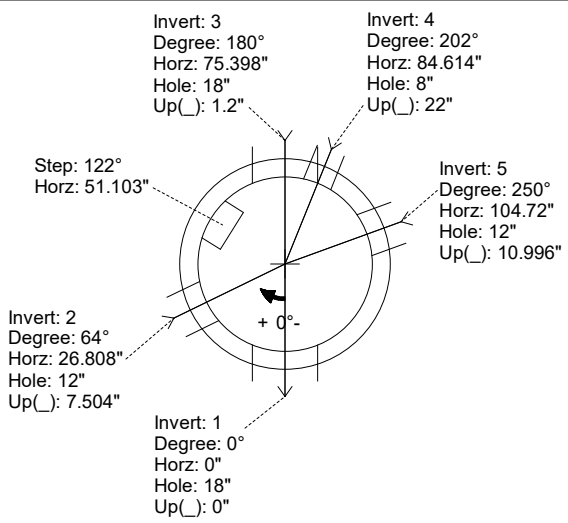
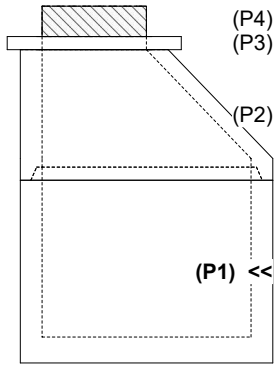
Structure Total: 7424 lb

Rim: 6.291' Rim to Invert: 6.291' Slack: 0.992" Sump: 1.5" Step Position: 122°

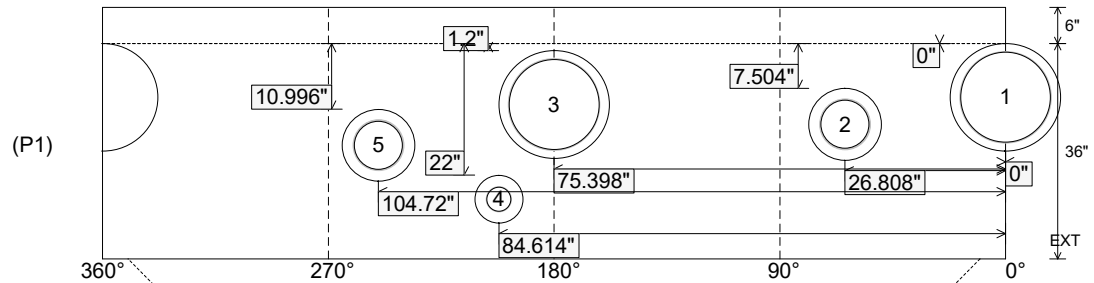
Position	Elev	Angle	Ext. (cw)	Pipe	Pipe OD	Connector	Hole	Horz Size	Up ( )	Offset
Invert 1	0'	0°	0"	15" PVC SDR35	15.3"	PSX 18M DD	18"	18.451"	0"	0"
Invert 2	0.667'	64°	32.393"	8" PVC SDR35	8.5"	PSX 12-08 NYLO	12"	12.129"	7.504"	0"
Invert 3	0.1'	180°	91.106"	15" PVC SDR35	15.3"	PSX 18M DD	18"	18.451"	1.2"	0"
Invert 4	1.875'	202°	102.241"	4" PVC SDR35	4.25"	PSX 8QRS-S NYLO	8"	8.038"	22"	0"
Invert 5	0.958'	250°	126.536"	8" PVC SDR35	8.5"	PSX 12-08 NYLO	12"	12.129"	10.996"	0"
Invert 6										
Invert 7										
Invert 8										

**RIGHT-SIDE UP VIEW (int. dimensions)**

**UPSIDE-DOWN VIEW (int. dimensions)**



**INSIDE WALL DIMENSIONS**



Coating (Int): Coating (Ext):	Seam Up: Tongue Seam Dn: n/a	Wall Thickness: 5" Floor Height: 6"	Height (Int): 36" Height (Ext): 42"	Weight (Net): 3510 lb Volume (Net): 0.9cu.yd
----------------------------------	---------------------------------	--	--	---

**Structure ID: 2-54423**

**P1 MH048BA36CDARED**

**MH BASE w/ConBlock-CDA Red T/n**

- |   |  |
|---|--|
| P4) 24" - CASTING HEIGHT - 7"<br>P3) 24" - GRADE RING w/ConBlock-CDA Red F/F - 3"<br>P2) 48" - ECC CONE w/ 24" HOLE, w/ConBlock-CDA Red F/G - 30"<br>P1) 48" - MH BASE w/ConBlock-CDA Red T/n - 36"<br>1) JOINT WRAP PRIMER - CONSEAL CS-75 (1 gal.)<br>1) JOINT WRAP - 0.065"x6"x50' CONSEAL CS212<br>1) ADMIXTURE CONBLOCK CDA RED<br>1) 48" - MH INVERT CHANNEL w/ConBlock-CDA Red - FULL HEIGHT<br>1) CASTING - HOE MC-375 F/C Sanitary<br>1) 48" - Conseal CS-102 1.00" (Double)<br>2) PSX - 18M DD<br>2) PSX - 12-08 NYLO<br>1) PSX - 8QRS-S NYLO<br>6) MH Step ML-10-TDS-NCR - 10" | 0 lb<br>202 lb<br>1961 lb<br>3510 lb<br>0 lb<br>0 lb<br>0 lb<br>1440 lb<br>271 lb<br>0 lb<br>16 lb<br>16 lb<br>6 lb<br>0 lb<br>_____<br>Structure Total: 7424 lb |
|---|--|

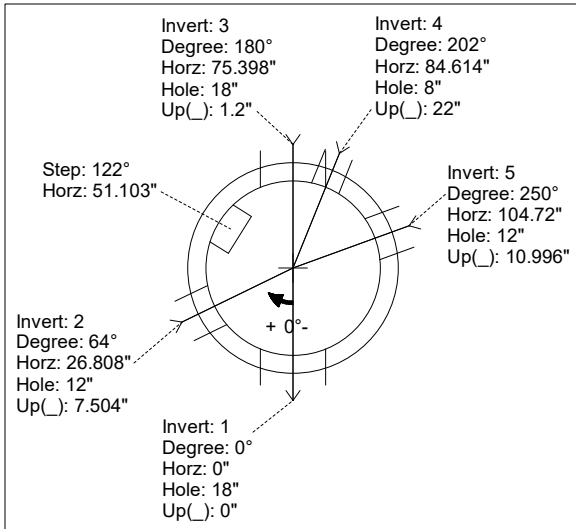
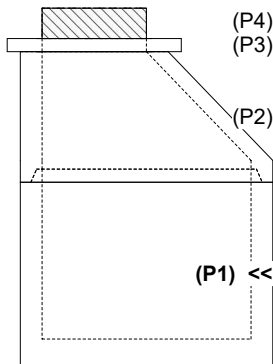
- Structure Notes:**
1. PER ASTM C-478 SPECS
  2. CONCRETE: 4,500 PSI AT 28 DAYS
  3. REINFORCEMENT: PER ASTM A615
  4. CONBLOCK CDA RED ADMIXTURE REQUIRED
  5. INVERT CHANNEL REQUIRED
  6. STEPS AT 122 DEGREES
  7. HOE MC-375 FRAME & COVER "SANITARY" SUPPLIED BY ICAST

Rim: 6.291' Rim to Invert: 6.291' Slack: 0.992" Sump: 1.5" Step Position: 122°

Position	Elev	Angle	Ext. (cw)	Pipe	Pipe OD	Connector	Hole	Horz Size	Up (↓)	Offset
Invert 1	0'	0°	0"	15" PVC SDR35	15.3"	PSX 18M DD	18"	18.451"	0"	0"
Invert 2	0.667'	64°	32.393"	8" PVC SDR35	8.5"	PSX 12-08 NYLO	12"	12.129"	7.504"	0"
Invert 3	0.1'	180°	91.106"	15" PVC SDR35	15.3"	PSX 18M DD	18"	18.451"	1.2"	0"
Invert 4	1.875'	202°	102.241"	4" PVC SDR35	4.25"	PSX 8QRS-S NYLO	8"	8.038"	22"	0"
Invert 5	0.958'	250°	126.536"	8" PVC SDR35	8.5"	PSX 12-08 NYLO	12"	12.129"	10.996"	0"
Invert 6										
Invert 7										
Invert 8										

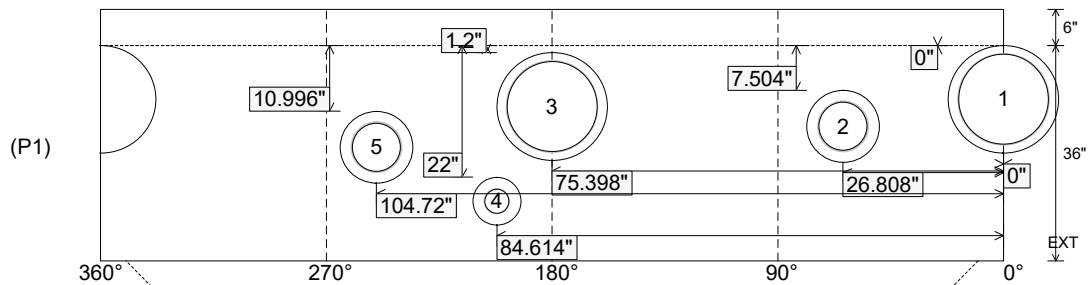
RIGHT-SIDE UP VIEW (int. dimensions)

UPSIDE-DOWN VIEW (int. dimensions)



INVERT CHANNEL DRAWING

INSIDE WALL DIMENSIONS



Coating (Int): Coating (Ext):	Seam Up: Tongue Seam Dn: n/a	Wall Thickness: 5" Floor Height: 6"	Height (Int): 36" Height (Ext): 42"	Weight (Net): 3510 lb Volume (Net): 0.9cu.yd
----------------------------------	---------------------------------	--	--	---