

Job Name: 25-4419 - East Bank Reginal Pump Station
 Job Location: Nashville, TN 37213
 Contractor: Garney Companies, Inc.

Plant: 100
 1/28/2026 2:41:59 PM

Tech: J. Horsley - F
 PC: J. Jarvis



Structure ID: ST105

P1 MH072BA84

MH BASE T/n

P4) 24" - CASTING HEIGHT - 7"	0 lb
P3) 72" - MH FLAT LID w/24in ECC Hole F/G - 15"	5098 lb
P2) 72" - MH RISER Custom Ht T/G - 37"	5394 lb
P1) 72" - MH BASE T/n - 84"	13873 lb
1) CASTING - JBS 1150 F/C STORM	250 lb
2) 72" - Conseal CS-102 1.00"	0 lb
1) Hole - 58 x 42	0 lb
1) Hole - 22	0 lb
1) Hole - 40	0 lb
7) MH Step ML-10-TDS-NCR - 10"	0 lb
Structure Total:	24615 lb

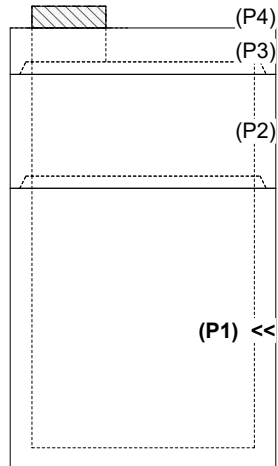
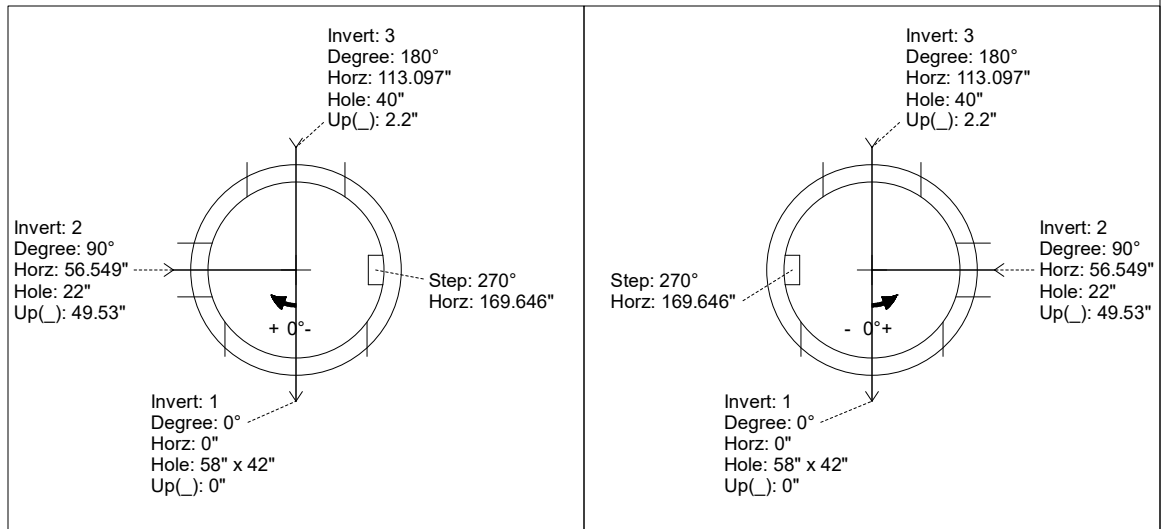
Structure Notes:
 1. PER ASTM C-478 SPECIFICATIONS
 2. CONCRETE: 4,000 PSI AT 28 DAYS
 3. REINFORCEMENT: PER ASTM A615
 4. NO STORM INVERT
 5. STEPS AT 270 DEGREES
 6. JBS 1150 FRAME & COVER "STORM" SUPPLIED BY ICAST

Rim: 419.39' Rim to Invert: 11.6' Slack: 0.7" Sump: 4.5" Step Position: 270°

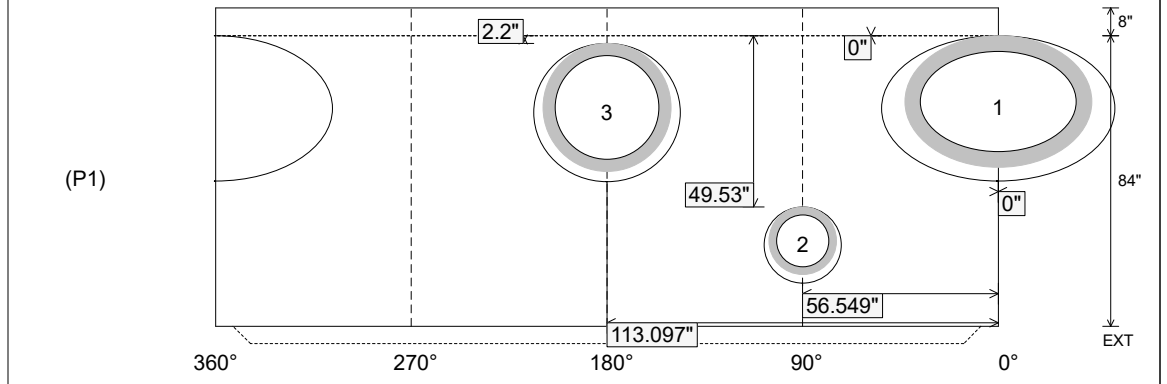
Position	Elev	Angle	Ext. (cw)	Pipe	Pipe OD	Connector	Hole	Horz Size	Up ()	Offset
Invert 1	407.79'	0°	0"	45" x 29" ELL RCP	54" x 38"	Hole 58 x 42	58" x 42"	67.436"	0"	0"
Invert 2	411.73'	90°	67.544"	15" RCP B WALL	19.5"	Hole 22	22"	22.358"	49.53"	0"
Invert 3	407.89'	180°	135.088"	30" RCP B WALL	37"	Hole 40	40"	42.41"	2.2"	0"
Invert 4										
Invert 5										
Invert 6										
Invert 7										
Invert 8										

RIGHT-SIDE UP VIEW (int. dimensions)

UPSIDE-DOWN VIEW (int. dimensions)



INSIDE WALL DIMENSIONS



Coating (Int): Coating (Ext):	Seam Up: Tongue Seam Dn: n/a	Wall Thickness: 7" Floor Height: 8"	Height (Int): 84" Height (Ext): 92"	Weight (Net): 13873 lb Volume (Net): 3.54cu.yd
----------------------------------	---------------------------------	--	--	---