

Job Name: 25-4405 Three Springs Rd Relocation
Job Location: Bowling Green, KY
Contractor: Cumberland Pipeline LLC

PC: Celina Goff
 TECH: J. Coppage
 Plant: Beaver Dam



Structure ID: ARV 11+08

Spec: Sanitary
 Type: Air Release MH
 Size: 48"

Rim: 563.25'
 Invert: 557.25'
 Rim to Invert: 6'

Sump: 4"
 Floor (Top): 556.917'
 Floor Height: 0"

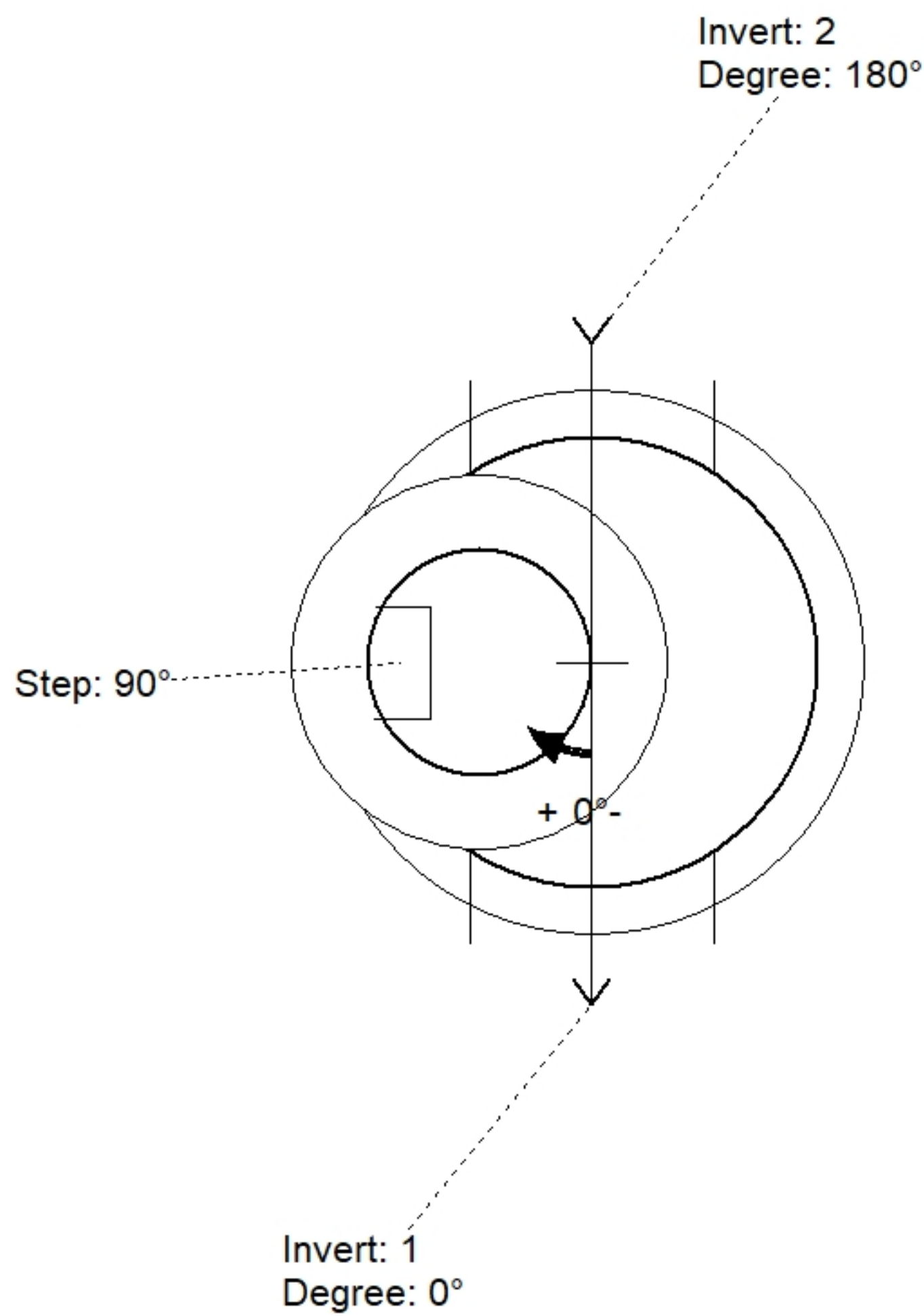
Floor (Bot): 556.917'
 Overall Height: 6.333'
 Slack: 0"

Structure Notes:

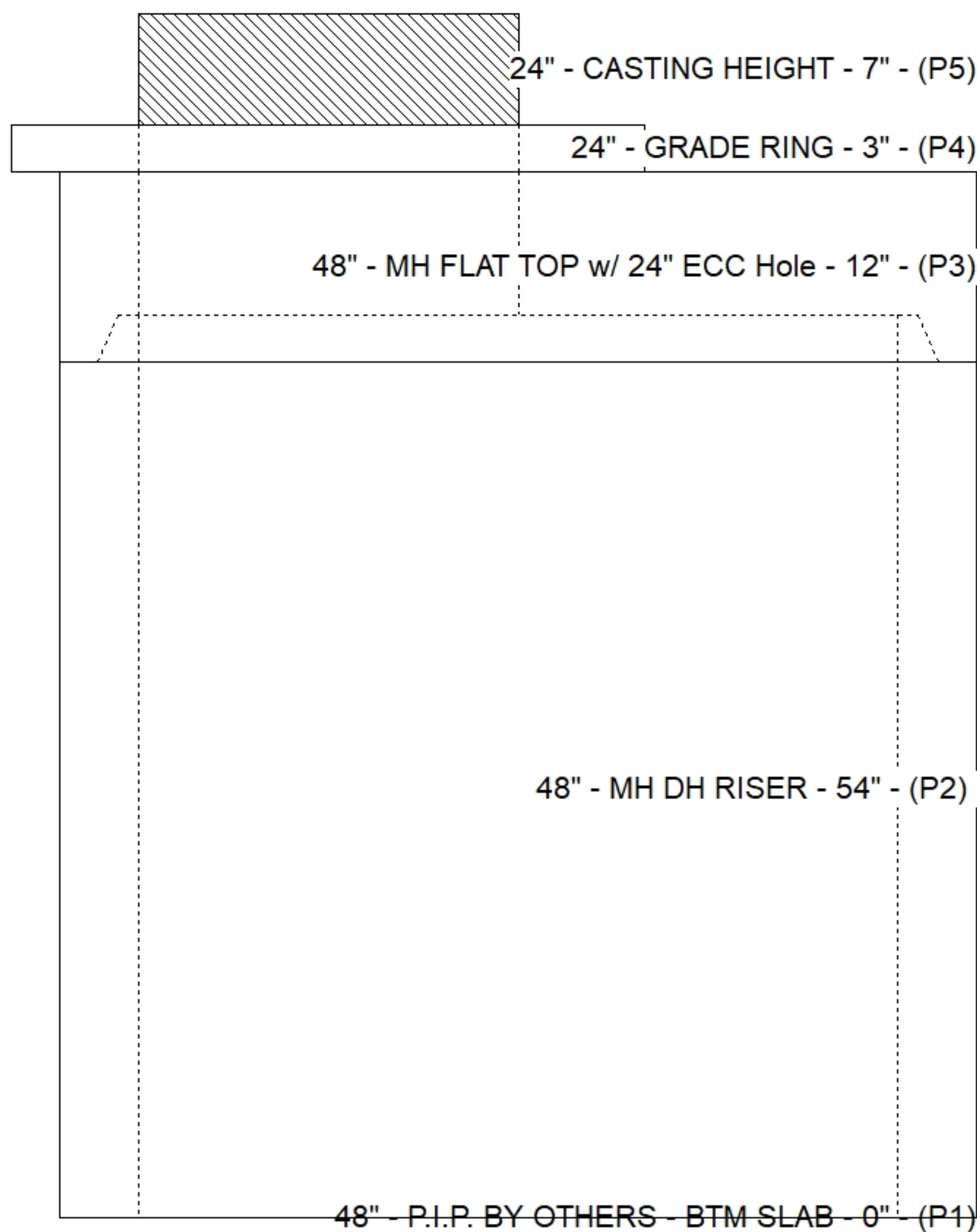
1. JR HOE MC-375 WATER PROVIDED BY ICAST.
2. PER ASTM C478 SPECIFICATIONS.
3. CONCRETE = 4,000 PSI AT 28 DAYS.
4. REINFORCING PER ASTM A615 (GRADE 60).
 - TOP SLAB (As .62) #5 BARS AT 6" C.C.E.W..
 - RISER/WALLS (As .12)
 - FLOOR (As .31) #5 BARS AT 12" C.C.E.W.

STRUCTURE SUMMARY:

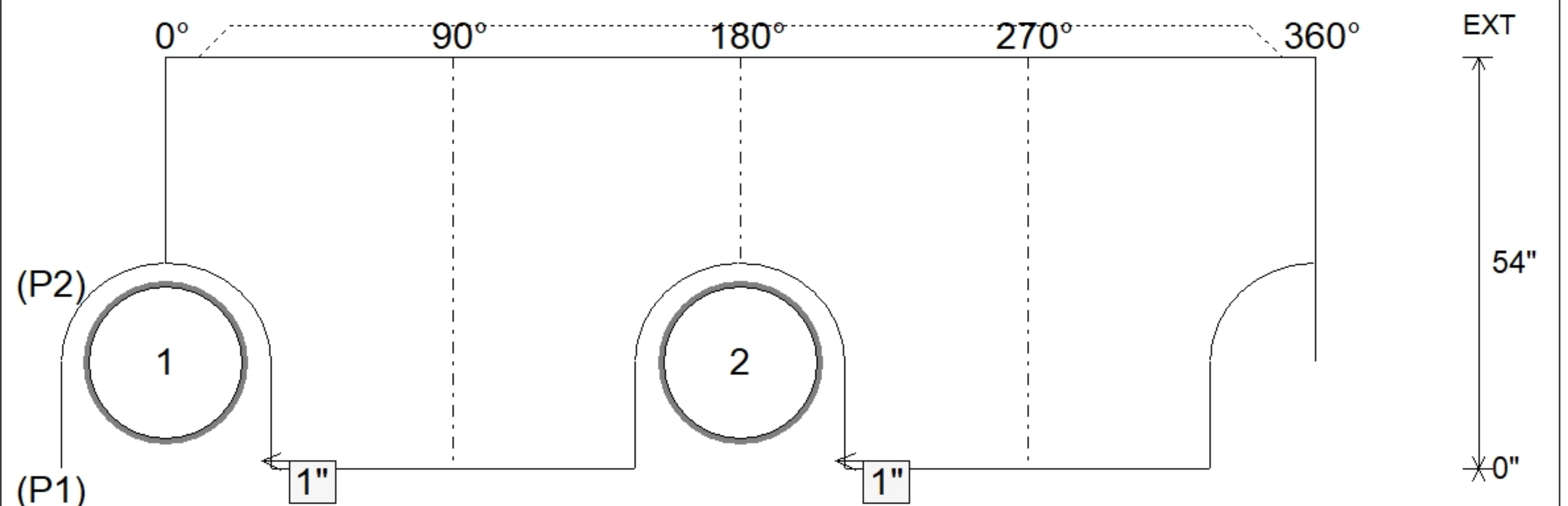
P5) 24" - CASTING HEIGHT - 7"	0 lb
P4) 24" - GRADE RING - 3"	202 lb
P3) 48" - MH FLAT TOP w/ 24" ECC Hole - 12"	1561 lb
P2) 48" - MH DH RISER - 54"	3219 lb
P1) 48" - P.I.P. BY OTHERS - BTM SLAB - 0"	0 lb
1) JOINT WRAP - 12" WD x 048" MAC WRAP	0 lb
1) 48" - MH INVERT CHANNEL - FULL HEIGHT	1440 lb
2) 48" - Conseal CS-102 1.00" (Double)	0 lb
2) DOGHOUSE - 26"x26"	0 lb
5) MH Step ML-10-TDS-NCR - 10"	0 lb
Structure Total:	6423 lb



Position	Elev	Angle	Pipe	Pipe OD	Hole	Connector	Up ()	Ref
Rim	563.25'							
Reducer								
Invert 1	557.25'	0°	20" DI	21.375"	26" x 26"	DOGHOUSE 26"x26"	1"	P2
Invert 2	557.25'	180°	20" DI	21.375"	26" x 26"	DOGHOUSE 26"x26"	1"	P2
Invert 3								
Invert 4								
Invert 5								
Invert 6								
Invert 7								
Invert 8								



Default - Interior Dimensions



Submittal Drawing
 2/3/2026 8:25:47 AM

SUBMITTAL
 APPROVED BY: