

Job Name: 25-4405 Three Springs Rd Relocation  
 Job Location: Bowling Green, KY  
 Contractor: Cumberland Pipeline LLC

Plant: Beaver Dam

Tech: J. Coppage

2/2/2026 11:15:26 AM

PC: Celina Goff



**Structure ID: ARV 11+08**

**P2 MH048DHRS54**

**MH DH RISER**

- P5) 24" - CASTING HEIGHT - 7"
- P4) 24" - GRADE RING - 3"
- P3) 48" - MH FLAT TOP w/ 24" ECC Hole - 12"
- P2) 48" - MH DH RISER - 54"
- P1) 48" - P.I.P. BY OTHERS - BTM SLAB - 0"
- 1) JOINT WRAP - 12" WD x 048" MAC WRAP
- 1) 48" - MH INVERT CHANNEL - FULL HEIGHT
- 2) 48" - Conseal CS-102 1.00" (Double)
- 2) DOGHOUSE - 26"x26"
- 5) MH Step ML-10-TDS-NCR - 10"

- Structure Notes:**
1. JR HOE MC-375 WATER PROVIDED BY ICAST.
  2. PER ASTM C478 SPECIFICATIONS.
  3. CONCRETE = 4,000 PSI AT 28 DAYS.
  4. REINFORCING PER ASTM A615 (GRADE 60).  
 - TOP SLAB (As .62) #5 BARS AT 6" C.C.E.W..  
 - RISER/WALLS (As .12)  
 - FLOOR (As .31) #5 BARS AT 12" C.C.E.W.

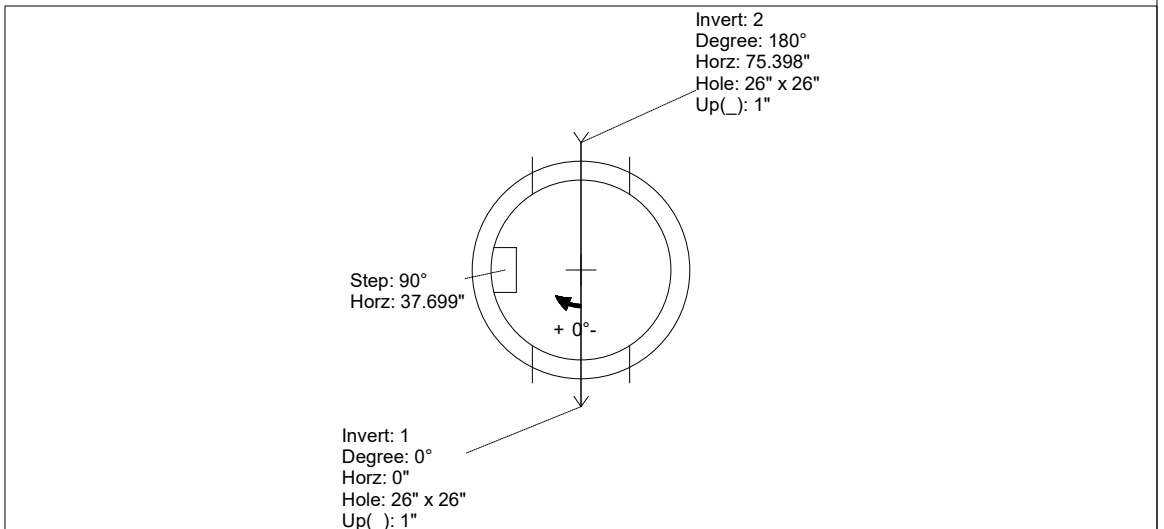
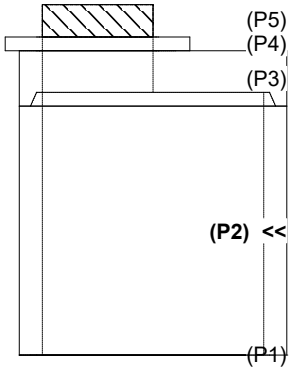
0 lb  
 202 lb  
 1561 lb  
 3219 lb  
 0 lb  
 0 lb  
 1440 lb  
 0 lb  
 0 lb  
 0 lb

Structure Total: 6423 lb

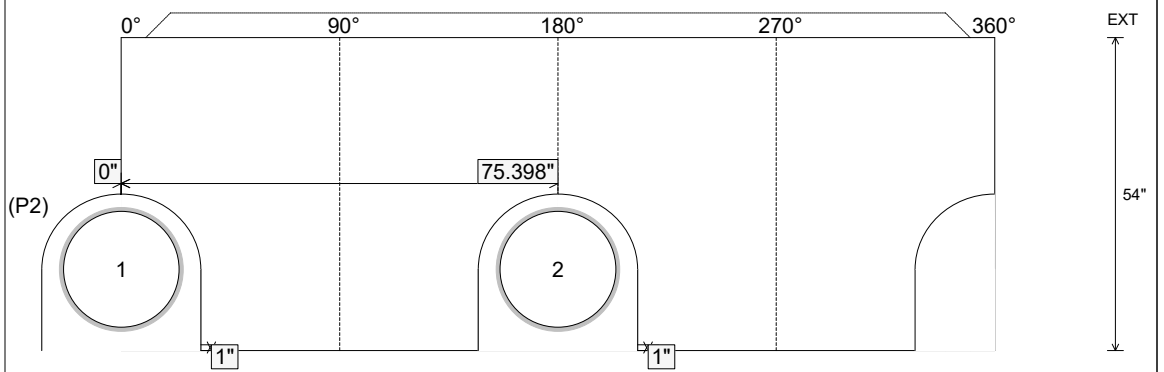
Rim: 563.25' Rim to Invert: 6' Slack: 0" Sump: 4" Step Position: 90°

Position	Elev	Angle	Ext. (cw)	Pipe	Pipe OD	Connector	Hole	Horz Size	Up ( )	Offset
Invert 1	557.25'	0°	0"	20" DI	21.375"	DOGHOUSE 26"x26"	26" x 26"	27.476"	1"	0"
Invert 2	557.25'	180°	91.106"	20" DI	21.375"	DOGHOUSE 26"x26"	26" x 26"	27.476"	1"	0"
Invert 3										
Invert 4										
Invert 5										
Invert 6										
Invert 7										
Invert 8										

**RIGHT-SIDE UP VIEW (int. dimensions)**



**INSIDE WALL DIMENSIONS**



Coating (Int): Coating (Ext):	Seam Up: Tongue Seam Dn: Flat	Wall Thickness: 5" Floor Height: 0"	Height (Int): 54" Height (Ext): 54"	Weight (Net): 3219 lb Volume (Net): 0.82cu.yd
----------------------------------	----------------------------------	--	--	--