

Job Name: 25-4405 Three Springs Rd Relocation
 Job Location: Bowling Green, KY
 Contractor: Cumberland Pipeline LLC

Plant: Beaver Dam

Tech: J. Coppage

2/2/2026 11:14:44 AM

PC: Celina Goff



Structure ID: 3

P1 MH048BA42

MH BASE w/DROP

- P4) 24" - CASTING HEIGHT - 7"
- P3) 24" - GRADE RING - 4"
- P2) 48" - ECC CONE w/ 24" HOLE - 42"
- P1) 48" - MH BASE w/DROP - 42"
- 1) JOINT WRAP - 12" WD x 048" MAC WRAP
- 1) 48" - MH INVERT CHANNEL - FULL HEIGHT
- 1) 48" - Conseal CS-102 1.00" (Double)
- 2) A-Lok - 0285
- 1) Drop Tee - 8" PVC
- 1) Drop Elbow - 8" PVC
- 7) MH Step ML-10-TDS-NCR - 10"

- Structure Notes:**
1. JR HOE MC-375 SANITARY PROVIDED BY ICAST.
 2. PER ASTM C478 SPECIFICATIONS.
 3. CONCRETE = 4,000 PSI AT 28 DAYS.
 4. REINFORCING PER ASTM A615 (GRADE 60).
- CONE (As .12)
 - RISER/WALLS (As .12)
 - FLOOR (As .31) #5 BARS AT 12" C.C.E.W.

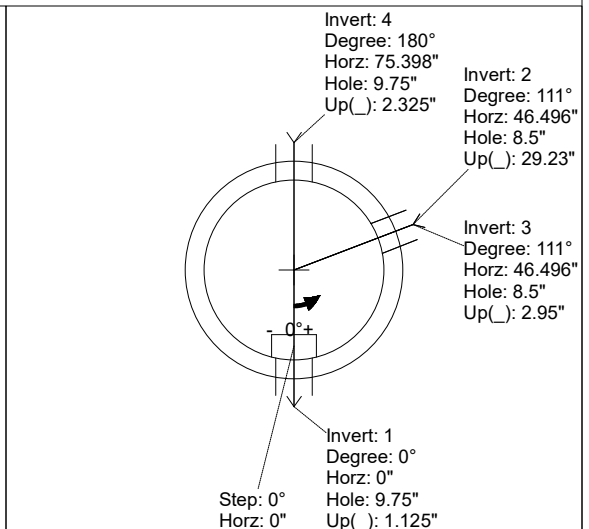
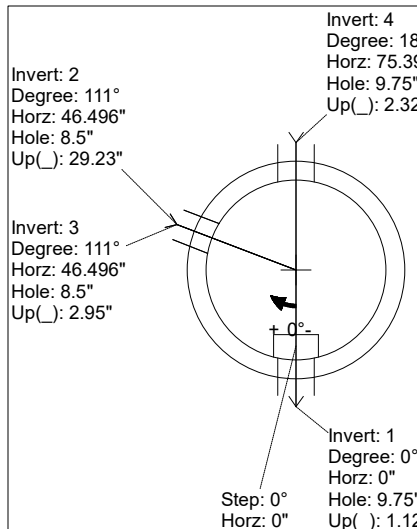
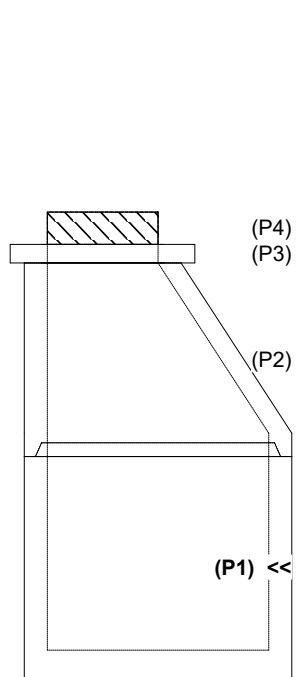
Structure Total: 9065 lb

Rim: 569.49' Rim to Invert: 7.98' Slack: 2.76" Sump: 2" Step Position: 0°

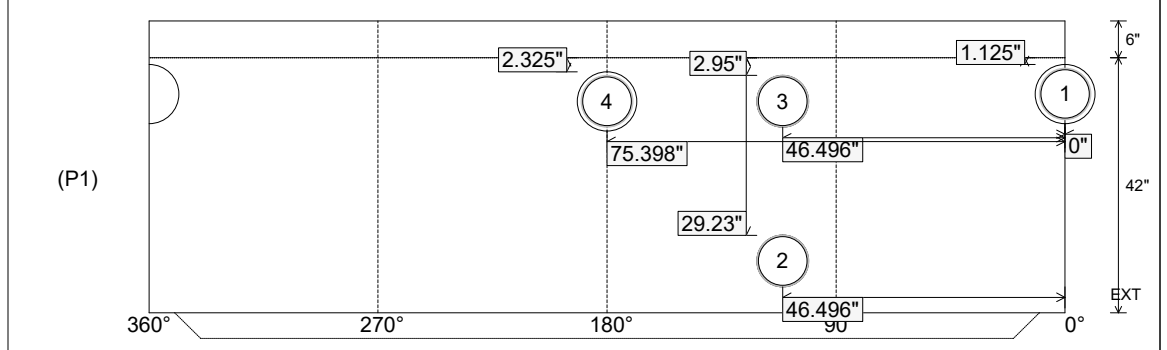
Position	Elev	Angle	Ext. (cw)	Pipe	Pipe OD	Connector	Hole	Horz Size	Up ()	Offset
Invert 1	561.51'	0°	0"	8" PVC SDR35	8.5"	A-Lok 0285	9.75"	9.818"	1.125"	0"
Invert 2	563.8'	111°	56.182"	8" PVC SDR35	8.5"	Drop Tee 8" PVC	8.5"	8.545"	29.23"	0"
Invert 3	561.61'	111°	56.182"	8" PVC SDR35	8.5"	Drop Elbow 8" PVC	8.5"	8.545"	2.95"	0"
Invert 4	561.61'	180°	91.106"	8" PVC SDR35	8.5"	A-Lok 0285	9.75"	9.818"	2.325"	0"
Invert 5										
Invert 6										
Invert 7										
Invert 8										

RIGHT-SIDE UP VIEW (int. dimensions)

UPSIDE-DOWN VIEW (int. dimensions)



INSIDE WALL DIMENSIONS



Coating (Int): Coating (Ext):	Seam Up: Tongue Seam Dn: n/a	Wall Thickness: 5" Floor Height: 6"	Height (Int): 42" Height (Ext): 48"	Weight (Net): 4153 lb Volume (Net): 1.06cu.yd
----------------------------------	---------------------------------	--	--	--

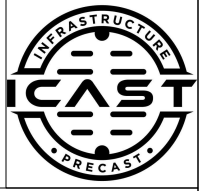
Job Name: 25-4405 Three Springs Rd Relocation
 Job Location: Bowling Green, KY
 Contractor: Cumberland Pipeline LLC

Plant: Beaver Dam

Tech: J. Coppage

2/2/2026 11:14:44 AM

PC: Celina Goff



Structure ID: 3

P1 MH048BA42

MH BASE w/DROP

- P4) 24" - CASTING HEIGHT - 7"
- P3) 24" - GRADE RING - 4"
- P2) 48" - ECC CONE w/ 24" HOLE - 42"
- P1) 48" - MH BASE w/DROP - 42"
- 1) JOINT WRAP - 12" WD x 048" MAC WRAP
- 1) 48" - MH INVERT CHANNEL - FULL HEIGHT
- 1) 48" - Conseal CS-102 1.00" (Double)
- 2) A-Lok - 0285
- 1) Drop Tee - 8" PVC
- 1) Drop Elbow - 8" PVC
- 7) MH Step ML-10-TDS-NCR - 10"

- Structure Notes:**
1. JR HOE MC-375 SANITARY PROVIDED BY ICAST.
 2. PER ASTM C478 SPECIFICATIONS.
 3. CONCRETE = 4,000 PSI AT 28 DAYS.
 4. REINFORCING PER ASTM A615 (GRADE 60).
- CONE (As .12)
 - RISER/WALLS (As .12)
 - FLOOR (As .31) #5 BARS AT 12" C.C.E.W.

Structure Total: 9065 lb

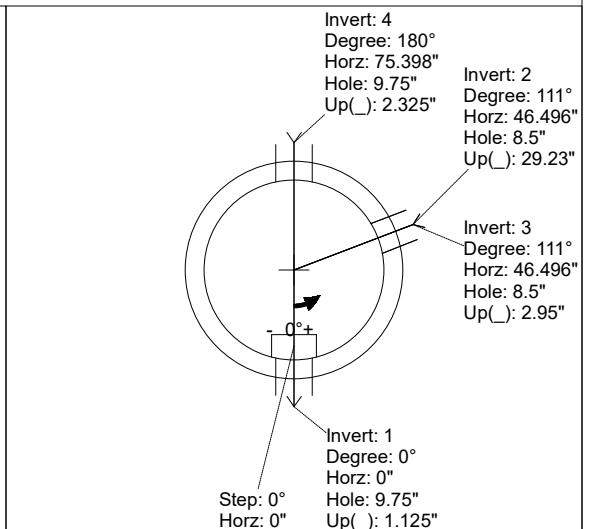
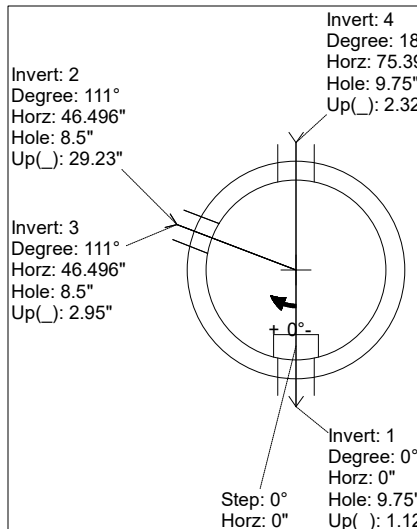
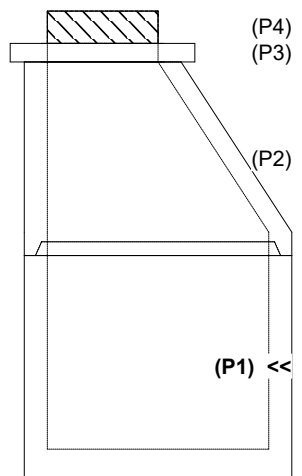
**INVERT CHANNEL DRAWING
 FULL HEIGHT INVERT**

Rim: 569.49' Rim to Invert: 7.98' Slack: 2.76" Sump: 2" Step Position: 0°

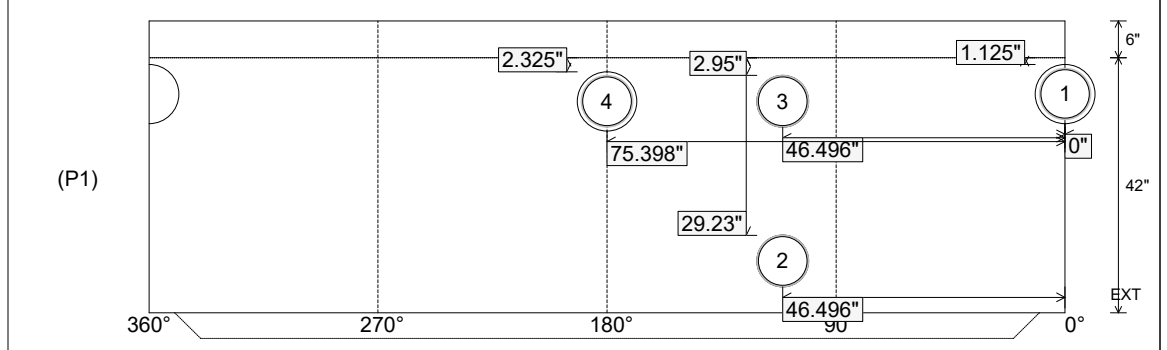
Position	Elev	Angle	Ext. (cw)	Pipe	Pipe OD	Connector	Hole	Horz Size	Up ()	Offset
Invert 1	561.51'	0°	0"	8" PVC SDR35	8.5"	A-Lok 0285	9.75"	9.818"	1.125"	0"
Invert 2	563.8'	111°	56.182"	8" PVC SDR35	8.5"	Drop Tee 8" PVC	8.5"	8.545"	29.23"	0"
Invert 3	561.61'	111°	56.182"	8" PVC SDR35	8.5"	Drop Elbow 8" PVC	8.5"	8.545"	2.95"	0"
Invert 4	561.61'	180°	91.106"	8" PVC SDR35	8.5"	A-Lok 0285	9.75"	9.818"	2.325"	0"
Invert 5										
Invert 6										
Invert 7										
Invert 8										

RIGHT-SIDE UP VIEW (int. dimensions)

UPSIDE-DOWN VIEW (int. dimensions)



INSIDE WALL DIMENSIONS



Coating (Int):
 Coating (Ext):

Seam Up: Tongue
 Seam Dn: n/a

Wall Thickness: 5"
 Floor Height: 6"

Height (Int): 42"
 Height (Ext): 48"

Weight (Net): 4153 lb
 Volume (Net): 1.06cu.yd