

**Job Name: 25-4405 Three Springs Rd Relocation**  
**Job Location: Bowling Green, KY**  
**Contractor: Cumberland Pipeline LLC**

PC: Celina Goff  
 TECH: J. Coppage  
 Plant: Beaver Dam



Structure ID: 2  
 Spec: Sanitary  
 Type: SAN.MH  
 Size: 48"

Rim: 567.62'  
 Invert: 560.06'  
 Rim to Invert: 7.56'

Sump: 2"  
 Floor (Top): 559.893'  
 Floor Height: 6"

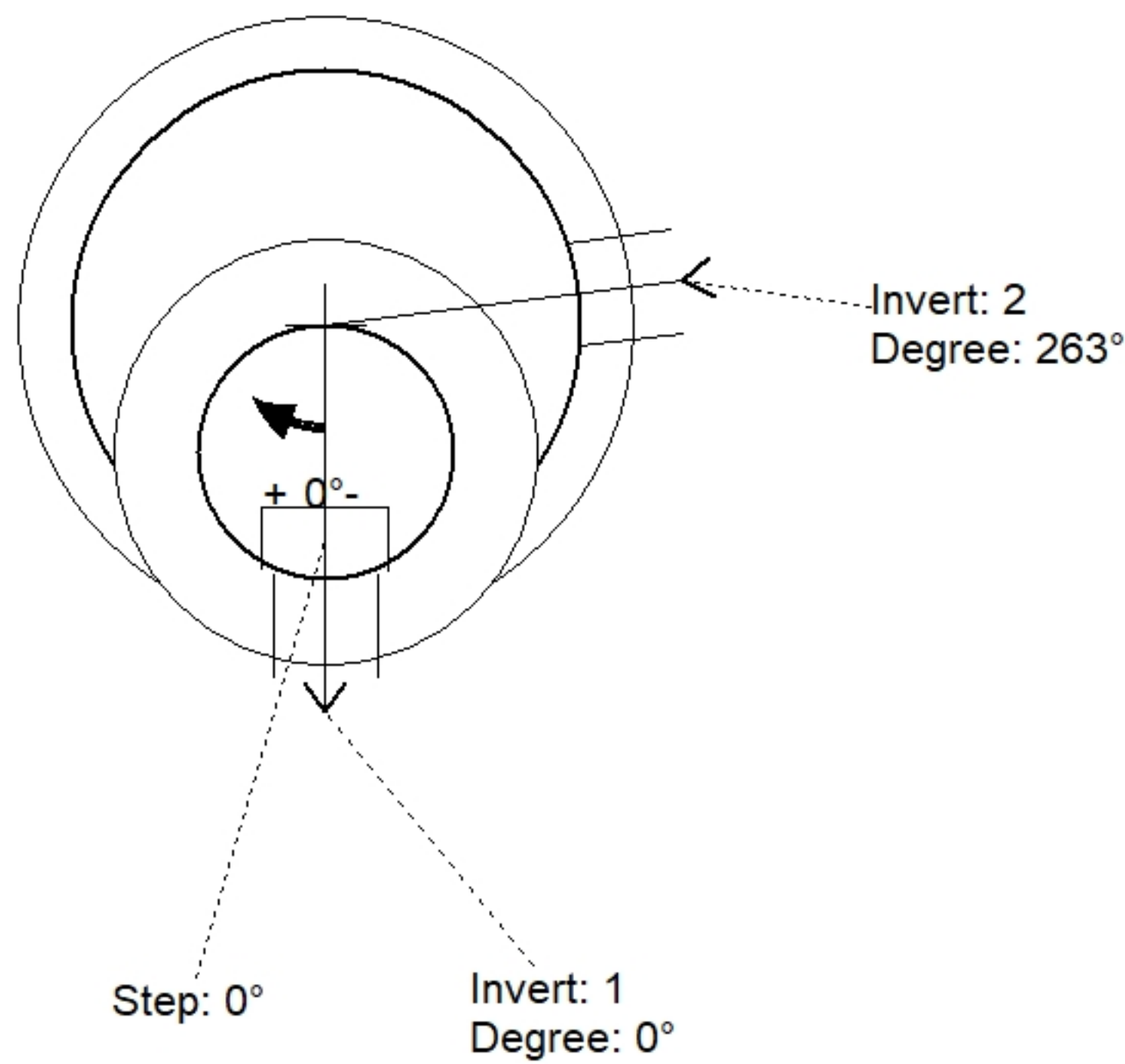
Floor (Bot): 559.393'  
 Overall Height: 8.083'  
 Slack: 1.72"

**Structure Notes:**

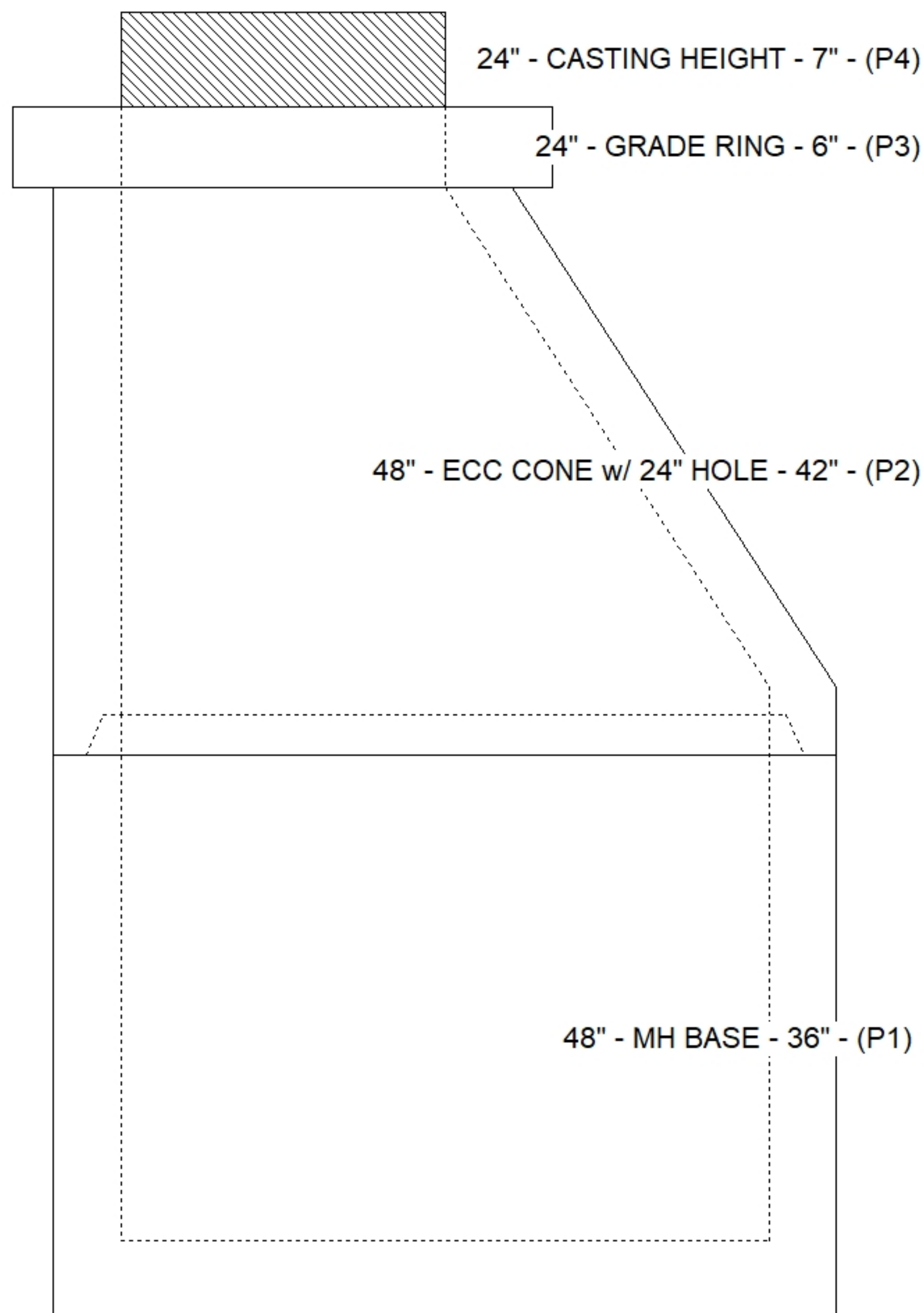
1. JR HOE MC-375 SANITARY PROVIDED BY ICAST.
2. PER ASTM C478 SPECIFICATIONS.
3. CONCRETE = 4,000 PSI AT 28 DAYS.
4. REINFORCING PER ASTM A615 (GRADE 60).
  - CONE (As .12)
  - RISER/WALLS (As .12)
  - FLOOR (As .31) #5 BARS AT 12" C.C.E.W.

**STRUCTURE SUMMARY:**

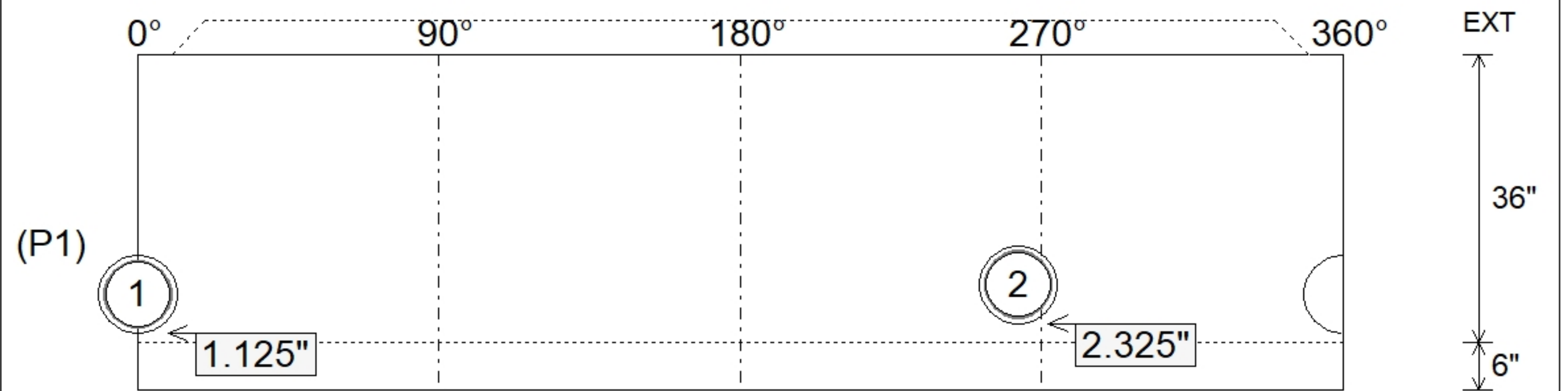
P4) 24" - CASTING HEIGHT - 7"	0 lb
P3) 24" - GRADE RING - 6"	405 lb
P2) 48" - ECC CONE w/ 24" HOLE - 42"	3200 lb
P1) 48" - MH BASE - 36"	3782 lb
1) JOINT WRAP - 12" WD x 048" MAC WRAP	0 lb
1) 48" - MH INVERT CHANNEL - FULL HEIGHT	1440 lb
1) 48" - Conseal CS-102 1.00" (Double)	0 lb
2) A-Lok - 0285	2 lb
6) MH Step ML-10-TDS-NCR - 10"	0 lb
<b>Structure Total:</b>	<b>8829 lb</b>



Position	Elev	Angle	Pipe	Pipe OD	Hole	Connector	Up (")	Ref
Rim	567.62'							
Reducer								
Invert 1	560.06'	0°	8" PVC SDR35	8.5"	9.75"	A-Lok 0285	1.125"	P1
Invert 2	560.16'	263°	8" PVC SDR35	8.5"	9.75"	A-Lok 0285	2.325"	P1
Invert 3								
Invert 4								
Invert 5								
Invert 6								
Invert 7								
Invert 8								



**Default - Interior Dimensions**



Submittal Drawing  
 2/3/2026 8:25:46 AM

SUBMITTAL  
 APPROVED BY: