

Job Name: 25-4405 Three Springs Rd Relocation
 Job Location: Bowling Green, KY
 Contractor: Cumberland Pipeline LLC

Plant: Beaver Dam

Tech: J. Coppage

2/2/2026 11:14:43 AM

PC: Celina Goff



Structure ID: 2

P1 MH048BA36

MH BASE

- P4) 24" - CASTING HEIGHT - 7"
- P3) 24" - GRADE RING - 6"
- P2) 48" - ECC CONE w/ 24" HOLE - 42"
- P1) 48" - MH BASE - 36"
- 1) JOINT WRAP - 12" WD x 048" MAC WRAP
- 1) 48" - MH INVERT CHANNEL - FULL HEIGHT
- 1) 48" - Conseal CS-102 1.00" (Double)
- 2) A-Lok - 0285
- 6) MH Step ML-10-TDS-NCR - 10"

- Structure Notes:**
1. JR HOE MC-375 SANITARY PROVIDED BY ICAST.
 2. PER ASTM C478 SPECIFICATIONS.
 3. CONCRETE = 4,000 PSI AT 28 DAYS.
 4. REINFORCING PER ASTM A615 (GRADE 60).
 - CONE (As .12)
 - RISER/WALLS (As .12)
 - FLOOR (As .31) #5 BARS AT 12" C.C.E.W.

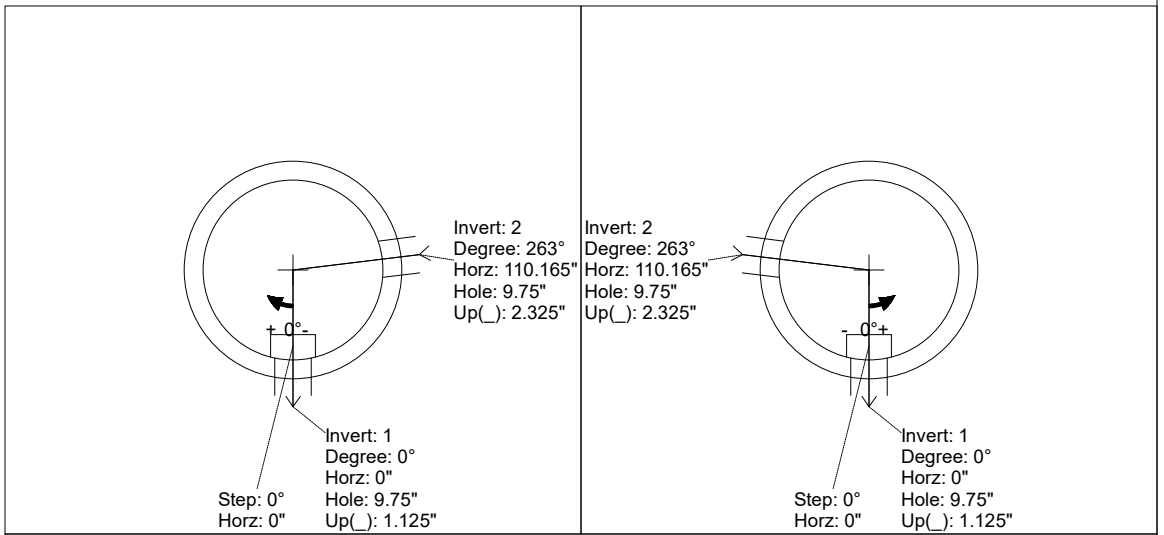
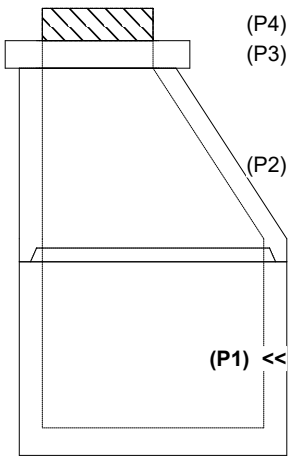
Structure Total: 8829 lb

Rim: 567.62' Rim to Invert: 7.56' Slack: 1.72" Sump: 2" Step Position: 0°

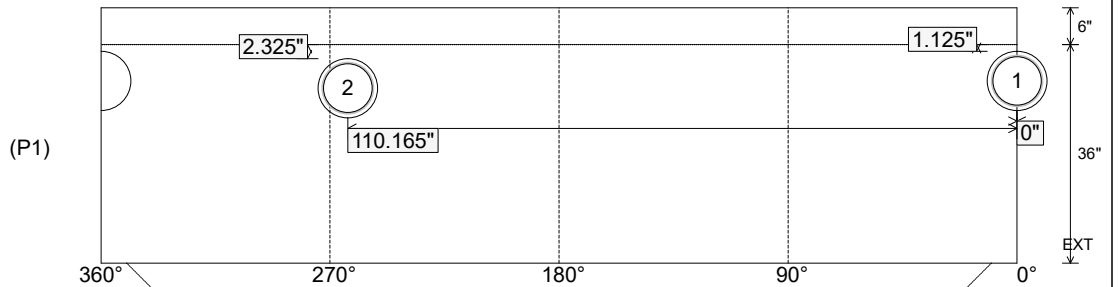
Position	Elev	Angle	Ext. (cw)	Pipe	Pipe OD	Connector	Hole	Horz Size	Up ()	Offset
Invert 1	560.06'	0°	0"	8" PVC SDR35	8.5"	A-Lok 0285	9.75"	9.818"	1.125"	0"
Invert 2	560.16'	263°	133.116"	8" PVC SDR35	8.5"	A-Lok 0285	9.75"	9.818"	2.325"	0"
Invert 3										
Invert 4										
Invert 5										
Invert 6										
Invert 7										
Invert 8										

RIGHT-SIDE UP VIEW (int. dimensions)

UPSIDE-DOWN VIEW (int. dimensions)



INSIDE WALL DIMENSIONS



Coating (Int): Coating (Ext):	Seam Up: Tongue Seam Dn: n/a	Wall Thickness: 5" Floor Height: 6"	Height (Int): 36" Height (Ext): 42"	Weight (Net): 3782 lb Volume (Net): 0.97cu.yd
----------------------------------	---------------------------------	--	--	--

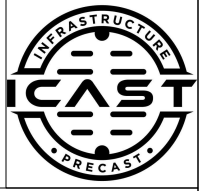
Job Name: 25-4405 Three Springs Rd Relocation
 Job Location: Bowling Green, KY
 Contractor: Cumberland Pipeline LLC

Plant: Beaver Dam

Tech: J. Coppage

2/2/2026 11:14:43 AM

PC: Celina Goff



Structure ID: 2

P1 MH048BA36

MH BASE

- P4) 24" - CASTING HEIGHT - 7"
- P3) 24" - GRADE RING - 6"
- P2) 48" - ECC CONE w/ 24" HOLE - 42"
- P1) 48" - MH BASE - 36"
- 1) JOINT WRAP - 12" WD x 048" MAC WRAP
- 1) 48" - MH INVERT CHANNEL - FULL HEIGHT
- 1) 48" - Conseal CS-102 1.00" (Double)
- 2) A-Lok - 0285
- 6) MH Step ML-10-TDS-NCR - 10"

- Structure Notes:**
1. JR HOE MC-375 SANITARY PROVIDED BY ICAST.
 2. PER ASTM C478 SPECIFICATIONS.
 3. CONCRETE = 4,000 PSI AT 28 DAYS.
 4. REINFORCING PER ASTM A615 (GRADE 60).
 - CONE (As .12)
 - RISER/WALLS (As .12)
 - FLOOR (As .31) #5 BARS AT 12" C.C.E.W.

Structure Total: 8829 lb

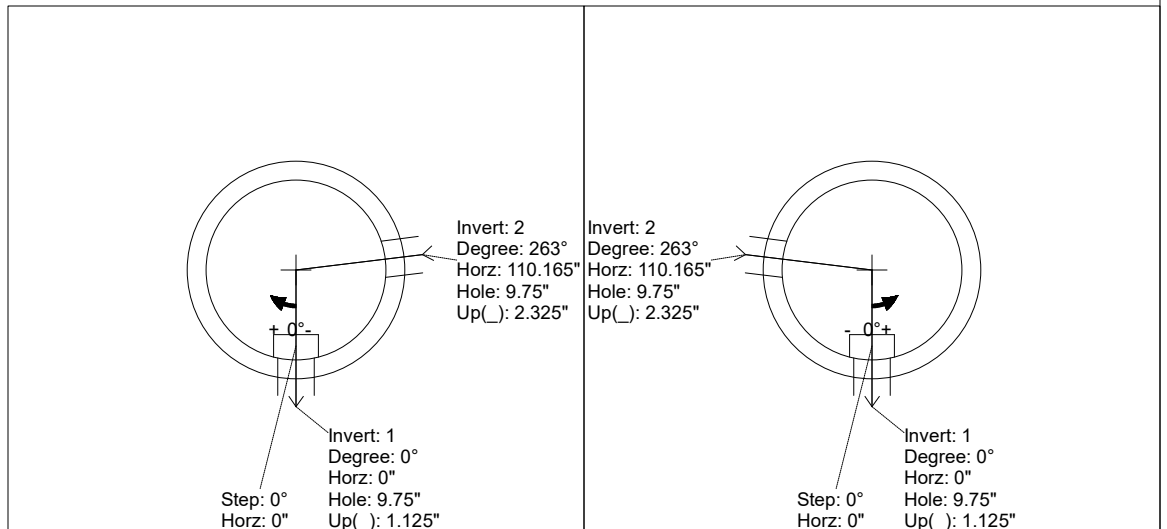
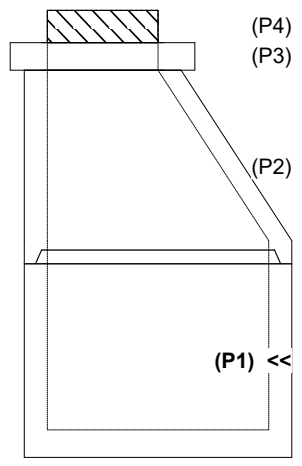
**INVERT CHANNEL DRAWING
 FULL HEIGHT INVERT**

Rim: 567.62' Rim to Invert: 7.56' Slack: 1.72" Sump: 2" Step Position: 0°

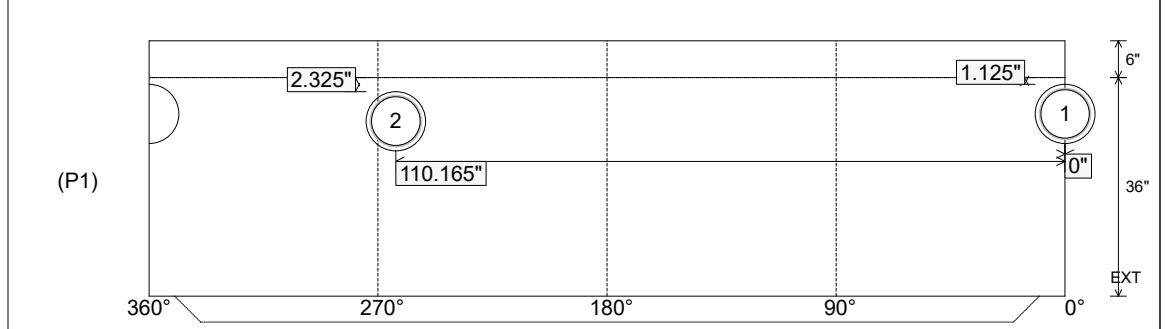
Position	Elev	Angle	Ext. (cw)	Pipe	Pipe OD	Connector	Hole	Horz Size	Up ()	Offset
Invert 1	560.06'	0°	0"	8" PVC SDR35	8.5"	A-Lok 0285	9.75"	9.818"	1.125"	0"
Invert 2	560.16'	263°	133.116"	8" PVC SDR35	8.5"	A-Lok 0285	9.75"	9.818"	2.325"	0"
Invert 3										
Invert 4										
Invert 5										
Invert 6										
Invert 7										
Invert 8										

RIGHT-SIDE UP VIEW (int. dimensions)

UPSIDE-DOWN VIEW (int. dimensions)



INSIDE WALL DIMENSIONS



Coating (Int): Coating (Ext):	Seam Up: Tongue Seam Dn: n/a	Wall Thickness: 5" Floor Height: 6"	Height (Int): 36" Height (Ext): 42"	Weight (Net): 3782 lb Volume (Net): 0.97cu.yd
----------------------------------	---------------------------------	--	--	--