

**Job Name: 25-4404 - Old Heritage Subdivision Section 7**  
**Job Location: Shelbyville, KY 40065**  
**Contractor: Filcon Construction**

PC: C. Goff  
 TECH: J. Horsley - F  
 Plant: 100



Structure ID: 44  
 Spec: Sanitary  
 Type: SAN.MH  
 Size: 48"

Rim: 779.43'  
 Invert: 771.71'  
 Rim to Invert: 7.72'

Sump: 3"  
 Floor (Top): 771.46'  
 Floor Height: 6"

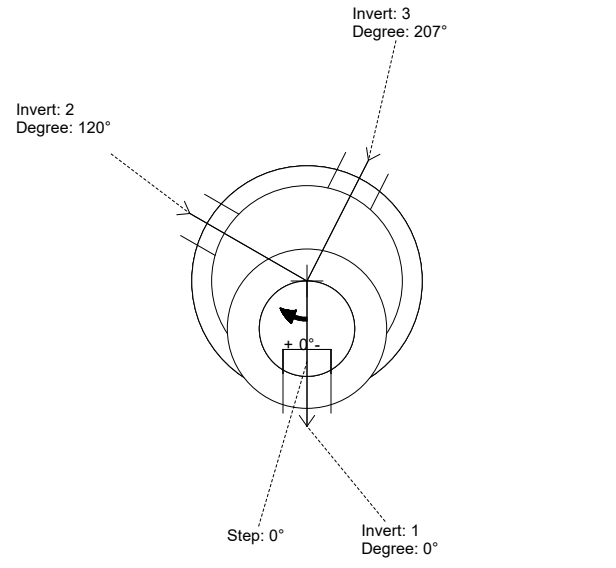
Floor (Bot): 770.96'  
 Overall Height: 8.417'  
 Slack: 0.64"

**Structure Notes:**

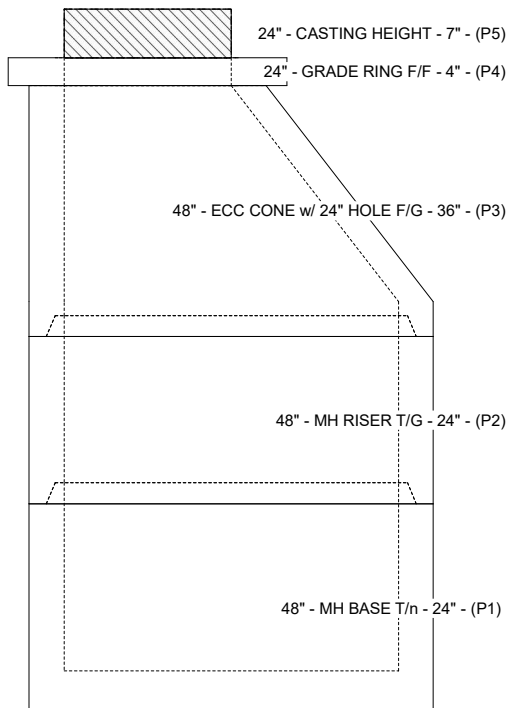
1. PER ASTM C-478 SPECIFICATIONS
2. CONCRETE: 4,000 PSI AT 28 DAYS
3. REINFORCEMENT: PER ASTM A615
4. INVERT CHANNEL REQUIRED
5. STEPS AT 0 DEGREES
6. CASTING SUPPLIED BY OTHERS

**STRUCTURE SUMMARY:**

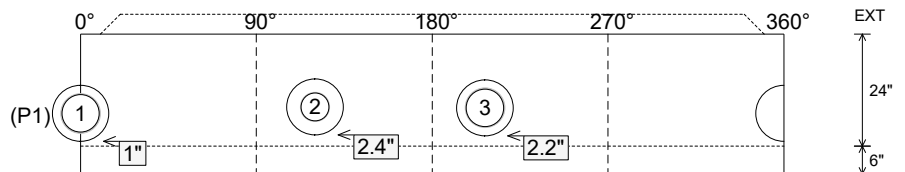
- P5) 24" - CASTING HEIGHT - 7" 0 lb
  - P4) 24" - GRADE RING F/F - 4" 270 lb
  - P3) 48" - ECC CONE w/ 24" HOLE F/G - 36" 3000 lb
  - P2) 48" - MH RISER T/G - 24" 1677 lb
  - P1) 48" - MH BASE T/n - 24" 2863 lb
  - 1) JOINT WRAP - 0.065"x6"x50' CONSEAL CS212 0 lb
  - 1) JOINT WRAP PRIMER - CONSEAL CS-75 (1 gal.) 0 lb
  - 1) 48" - MH INVERT CHANNEL - FULL HEIGHT 1440 lb
  - 2) 48" - Conseal CS-102 1.00" (Double) 0 lb
  - 2) PSX - 12-08 NYLO 16 lb
  - 1) PSX - 12-06 NYLO 8 lb
  - 6) MH Step ML-10-TDS-NCR - 10" 0 lb
- Structure Total: 9274 lb**



Position	Elev	Angle	Pipe	Pipe OD	Hole	Connector	Up (")	Ref
Rim	779.43'							
Reducer								
Invert 1	771.71'	0°	8" PVC SDR35	8.5"	12"	PSX 12-08 NYLO	1"	P1
Invert 2	771.91'	120°	6" PVC SDR35	6.25"	12"	PSX 12-06 NYLO	2.4"	P1
Invert 3	771.81'	207°	8" PVC SDR35	8.5"	12"	PSX 12-08 NYLO	2.2"	P1
Invert 4								
Invert 5								
Invert 6								
Invert 7								
Invert 8								



**Cast (Int. Dim.) - Interior Dimensions**



Submittal Drawing  
 12/17/2025 12:47:31 PM

SUBMITTAL  
 APPROVED BY: