

Job Name: 25-4404 - Old Heritage Subdivision Section 7
Job Location: Shelbyville, KY 40065
Contractor: Filcon Construction

PC: C. Goff
 TECH: J. Horsley - F
 Plant: 100



Structure ID: 42
 Spec: Sanitary
 Type: SAN.MH
 Size: 48"

Rim: 781.46'
 Invert: 772.64'
 Rim to Invert: 8.82'

Sump: 3"
 Floor (Top): 772.39'
 Floor Height: 6"

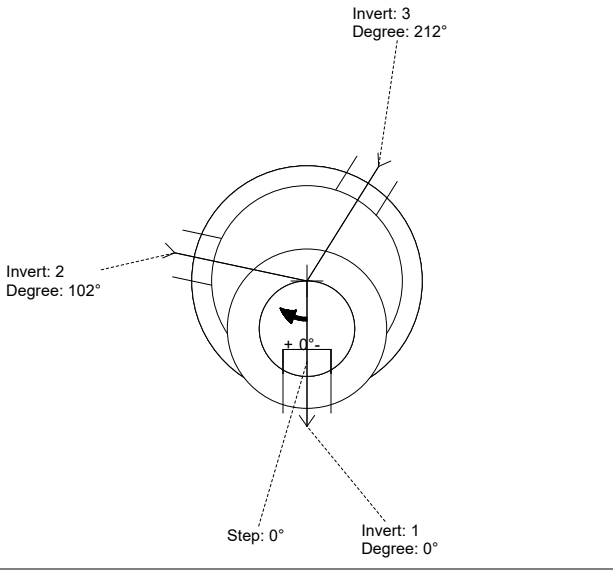
Floor (Bot): 771.89'
 Overall Height: 9.417'
 Slack: 1.84"

Structure Notes:

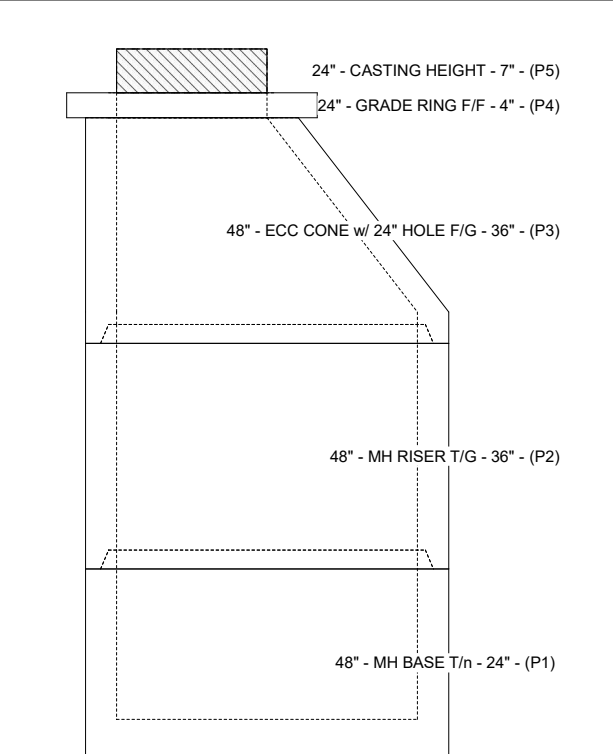
1. PER ASTM C-478 SPECIFICATIONS
2. CONCRETE: 4,000 PSI AT 28 DAYS
3. REINFORCEMENT: PER ASTM A615
4. INVERT CHANNEL REQUIRED
5. STEPS AT 0 DEGREES
6. CASTING SUPPLIED BY OTHERS

STRUCTURE SUMMARY:

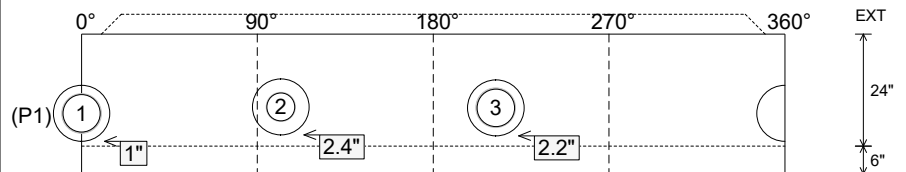
- P5) 24" - CASTING HEIGHT - 7" 0 lb
 - P4) 24" - GRADE RING F/F - 4" 270 lb
 - P3) 48" - ECC CONE w/ 24" HOLE F/G - 36" 3000 lb
 - P2) 48" - MH RISER T/G - 36" 2515 lb
 - P1) 48" - MH BASE T/n - 24" 2863 lb
 - 1) JOINT WRAP - 0.065"x6"x50' CONSEAL CS212 0 lb
 - 1) JOINT WRAP PRIMER - CONSEAL CS-75 (1 gal.) 0 lb
 - 1) 48" - MH INVERT CHANNEL - FULL HEIGHT 1440 lb
 - 2) 48" - Conseal CS-102 1.00" (Double) 0 lb
 - 2) PSX - 12-08 NYLO 16 lb
 - 1) PSX - 12-06 NYLO 8 lb
 - 7) MH Step ML-10-TDS-NCR - 10" 0 lb
- Structure Total: 10112 lb**



Position	Elev	Angle	Pipe	Pipe OD	Hole	Connector	Up (")	Ref
Rim	781.46'							
Reducer								
Invert 1	772.64'	0°	8" PVC SDR35	8.5"	12"	PSX 12-08 NYLO	1"	P1
Invert 2	772.84'	102°	6" PVC SDR35	6.25"	12"	PSX 12-06 NYLO	2.4"	P1
Invert 3	772.74'	212°	8" PVC SDR35	8.5"	12"	PSX 12-08 NYLO	2.2"	P1
Invert 4								
Invert 5								
Invert 6								
Invert 7								
Invert 8								



Cast (Int. Dim.) - Interior Dimensions



Submittal Drawing
 12/17/2025 12:47:32 PM

SUBMITTAL
 APPROVED BY: