

**Job Name: 25-4404 - Old Heritage Subdivision Section 7**  
**Job Location: Shelbyville, KY 40065**  
**Contractor: Filcon Construction**

PC: C. Goff  
 TECH: J. Horsley - F  
 Plant: 100



Structure ID: 40  
 Spec: Sanitary  
 Type: SAN.MH  
 Size: 48"

Rim: 783.75'  
 Invert: 773.75'  
 Rim to Invert: 10'

Sump: 3"  
 Floor (Top): 773.5'  
 Floor Height: 6"

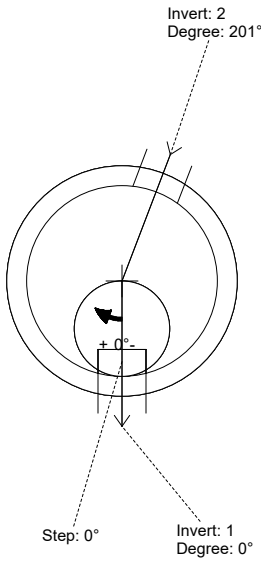
Floor (Bot): 773'  
 Overall Height: 10.583'  
 Slack: 2"

**Structure Notes:**

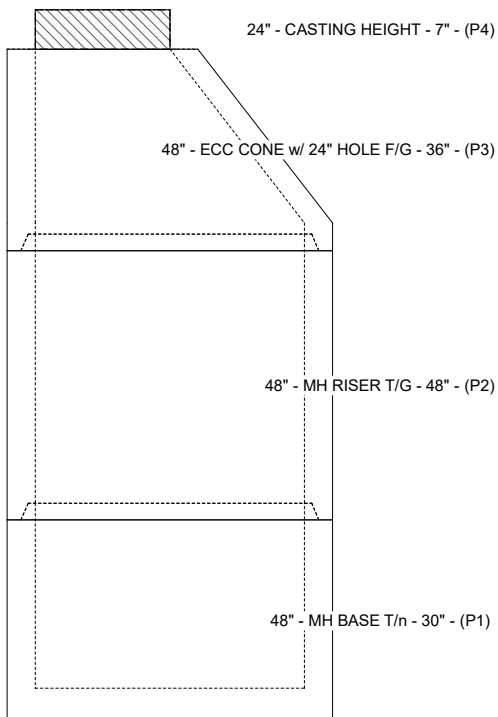
1. PER ASTM C-478 SPECIFICATIONS
2. CONCRETE: 4,000 PSI AT 28 DAYS
3. REINFORCEMENT: PER ASTM A615
4. INVERT CHANNEL REQUIRED
5. STEPS AT 0 DEGREES
6. CASTING SUPPLIED BY OTHERS

**STRUCTURE SUMMARY:**

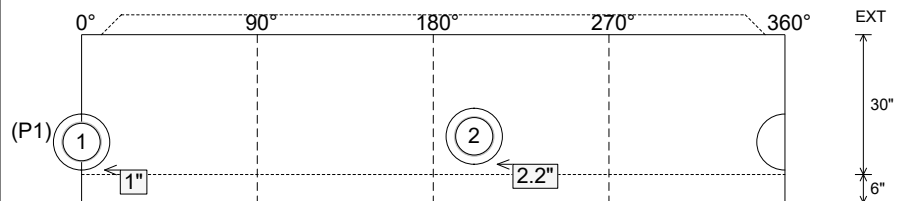
- P4) 24" - CASTING HEIGHT - 7" 0 lb
  - P3) 48" - ECC CONE w/ 24" HOLE F/G - 36" 3000 lb
  - P2) 48" - MH RISER T/G - 48" 3353 lb
  - P1) 48" - MH BASE T/n - 30" 3330 lb
  - 1) JOINT WRAP - 0.065"x6"x50' CONSEAL CS212 0 lb
  - 1) JOINT WRAP PRIMER - CONSEAL CS-75 (1 gal.) 0 lb
  - 1) 48" - MH INVERT CHANNEL - FULL HEIGHT 1440 lb
  - 2) 48" - Conseal CS-102 1.00" (Double) 0 lb
  - 2) PSX - 12-08 NYLO 16 lb
  - 9) MH Step ML-10-TDS-NCR - 10" 0 lb
- Structure Total: 11139 lb**



Position	Elev	Angle	Pipe	Pipe OD	Hole	Connector	Up (L)	Ref
Rim	783.75'							
Reducer								
Invert 1	773.75'	0°	8" PVC SDR35	8.5"	12"	PSX 12-08 NYLO	1"	P1
Invert 2	773.85'	201°	8" PVC SDR35	8.5"	12"	PSX 12-08 NYLO	2.2"	P1
Invert 3								
Invert 4								
Invert 5								
Invert 6								
Invert 7								
Invert 8								



**Cast (Int. Dim.) - Interior Dimensions**



Submittal Drawing  
 12/17/2025 12:47:33 PM

SUBMITTAL  
 APPROVED BY: