

**Job Name: 25-4404 - Old Heritage Subdivision Section 7**  
**Job Location: Shelbyville, KY 40065**  
**Contractor: Filcon Construction**

PC: C. Goff  
 TECH: J. Horsley - F  
 Plant: 100



Structure ID: 38

Spec: Sanitary  
 Type: SAN.MH w/Ext. Drop  
 Size: 48"

Rim: 787.02'  
 Invert: 774.1'  
 Rim to Invert: 12.92'

Sump: 3"  
 Floor (Top): 773.85'  
 Floor Height: 6"

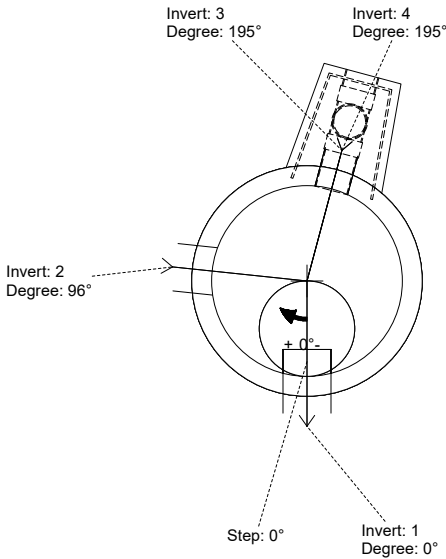
Floor (Bot): 773.35'  
 Overall Height: 13.583'  
 Slack: 1.04"

**Structure Notes:**

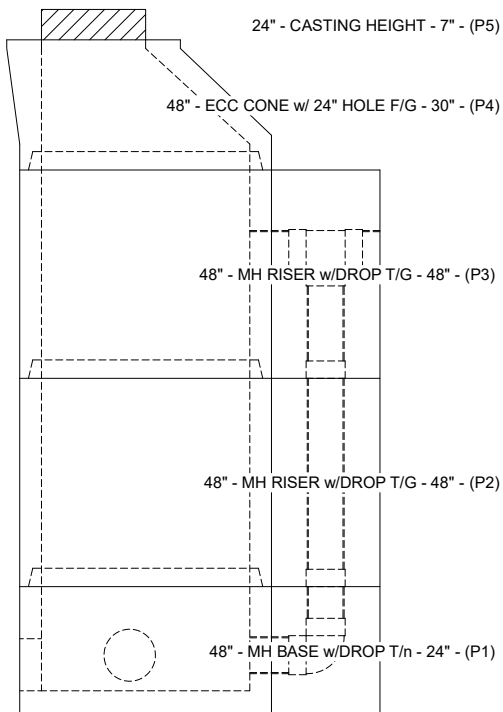
- PER ASTM C-478 SPECIFICATIONS
- CONCRETE: 4,000 PSI AT 28 DAYS
- REINFORCEMENT: PER ASTM A615
- INVERT CHANNEL REQUIRED
- STEPS AT 0 DEGREES
- CASTING SUPPLIED BY OTHERS
- EXTERNAL DROP AT INVERTS 3 & 4 SUPPLIED BY ICAST

**STRUCTURE SUMMARY:**

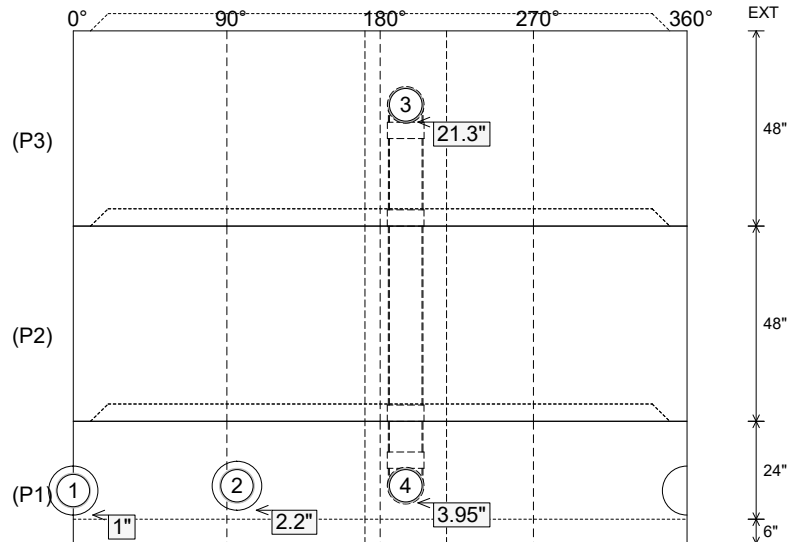
- P5) 24" - CASTING HEIGHT - 7" 0 lb
  - P4) 48" - ECC CONE w/ 24" HOLE F/G - 30" 2050 lb
  - P3) 48" - MH RISER w/DROP T/G - 48" 5393 lb
  - P2) 48" - MH RISER w/DROP T/G - 48" 5417 lb
  - P1) 48" - MH BASE w/DROP T/n - 24" 4177 lb
  - 1) JOINT WRAP - 0.065"x6"x50' CONSEAL CS212 0 lb
  - 1) JOINT WRAP PRIMER - CONSEAL CS-75 (1 gal.) 0 lb
  - 1) 48" - MH INVERT CHANNEL - FULL HEIGHT 1440 lb
  - 3) 48" - Conseal CS-102 1.00" (Double) 0 lb
  - 2) PSX - 12-08 NYLO 16 lb
  - 1) Drop Tee - 8" PVC 0 lb
  - 1) Drop Elbow - 8" PVC 0 lb
  - 13) MH Step ML-10-TDS-NCR - 10" 0 lb
- Structure Total: 18493 lb**



Position	Elev	Angle	Pipe	Pipe OD	Hole	Connector	Up (L)	Ref
Rim	787.02'							
Reducer								
Invert 1	774.1'	0°	8" PVC SDR35	8.5"	12"	PSX 12-08 NYLO	1"	P1
Invert 2	774.2'	96°	8" PVC SDR35	8.5"	12"	PSX 12-08 NYLO	2.2"	P1
Invert 3	782'	195°	8" PVC SDR35	8.5"	8.5"	Drop Tee 8" PVC	21.3"	P3
Invert 4	774.2'	195°	8" PVC SDR35	8.5"	8.5"	Drop Elbow 8" PVC	3.95"	P1
Invert 5								
Invert 6								
Invert 7								
Invert 8								



**Cast (Int. Dim.) - Interior Dimensions**



Submittal Drawing  
 12/17/2025 12:47:34 PM

SUBMITTAL  
 APPROVED BY: