

Job Name: 25-4404 - Old Heritage Subdivision Section 7
Job Location: Shelbyville, KY 40065
Contractor: Filcon Construction

PC: C. Goff
 TECH: J. Horsley - F
 Plant: 100



Structure ID: **14+37.37**
 Spec: Storm
 Type: STM.MH
 Size: 48"

Rim: 798.82'
 Invert: 793.9'
 Rim to Invert: 4.92'

Sump: 1.9"
 Floor (Top): 793.742'
 Floor Height: 6"

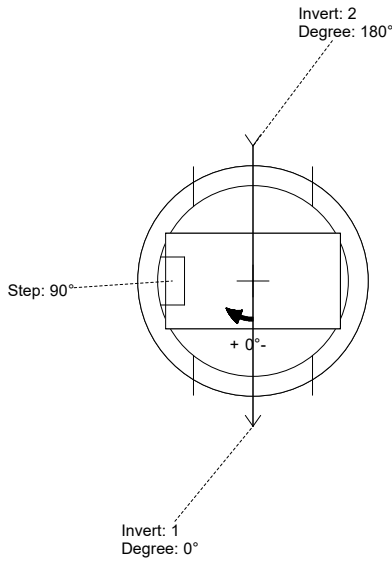
Floor (Bot): 793.242'
 Overall Height: 5.542'
 Slack: 0.44"

- Structure Notes:**
- PER ASTM C-478 SPECIFICATIONS
 - CONCRETE: 4,000 PSI AT 28 DAYS
 - REINFORCEMENT:
 - FLAT LID: #4 BAR @ 10" C.C. E.W. (GRADE 60)
 - BASE: PER ASTM A615
 - STEPS AT 90 DEGREES
 - NO INVERT CHANNEL
 - CASTING SUPPLIED BY OTHERS

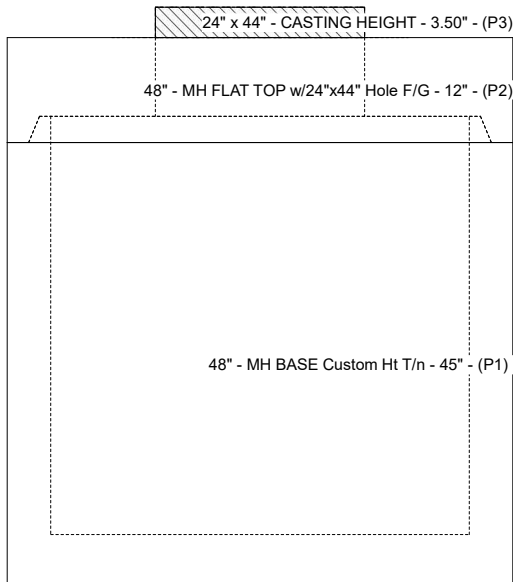
STRUCTURE SUMMARY:

P3) 24" x 44" - CASTING HEIGHT - 3.50" 0 lb
 P2) 48" - MH FLAT TOP w/24"x44" Hole F/G - 12" 1187 lb
 P1) 48" - MH BASE Custom Ht T/n - 45" 3842 lb
 1) 48" - Conseal CS-102 1.00" 0 lb
 2) Hole - 30 0 lb
 4) MH Step ML-10-TDS-NCR - 10" 0 lb

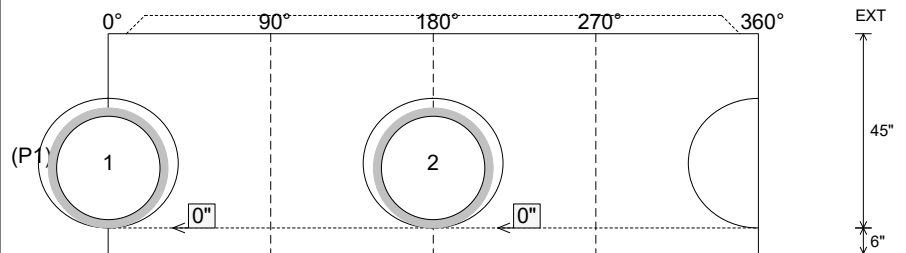
Structure Total: 5029 lb



Position	Elev	Angle	Pipe	Pipe OD	Hole	Connector	Up ()	Ref
Rim	798.82'							
Reducer								
Invert 1	793.9'	0°	24" HDPE	27.8"	30"	Hole 30	0"	P1
Invert 2	793.9'	180°	24" HDPE	27.8"	30"	Hole 30	0"	P1
Invert 3								
Invert 4								
Invert 5								
Invert 6								
Invert 7								
Invert 8								



Cast (Int. Dim.) - Interior Dimensions



Submittal Drawing
 12/17/2025 12:47:31 PM

SUBMITTAL
 APPROVED BY: