

Job Name: 25-4404 - Old Heritage Subdivision Section 7
 Job Location: Shelbyville, KY 40065
 Contractor: Filcon Construction

Plant: 100

12/17/2025 2:01:04 PM

Tech: J. Horsley - F

PC: C. Goff



Structure ID: 14+37.37

P1 MH048BAVF

MH BASE Custom Ht T/n

- P3) 24" x 44" - CASTING HEIGHT - 3.50"
- P2) 48" - MH FLAT TOP w/24"x44" Hole F/G - 12"
- P1) 48" - MH BASE Custom Ht T/n - 45"
- 1) 48" - Conseal CS-102 1.00"
- 2) Hole - 30
- 4) MH Step ML-10-TDS-NCR - 10"

0 lb
 1187 lb
 3842 lb
 0 lb
 0 lb
 0 lb

 5029 lb

Structure Total: 5029 lb

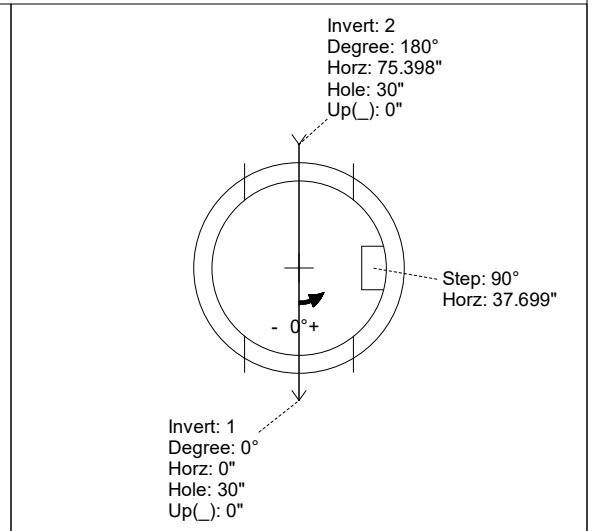
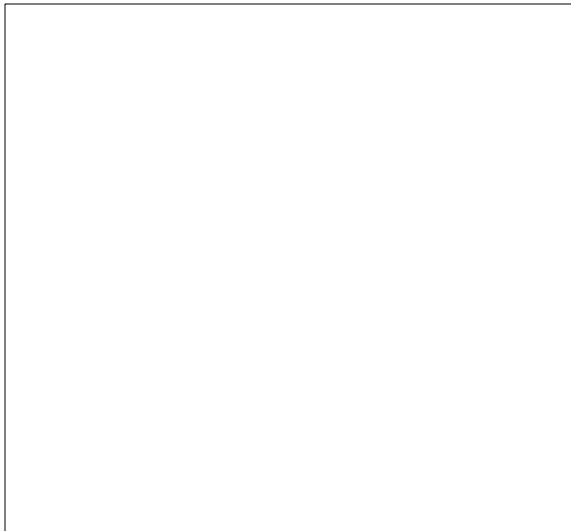
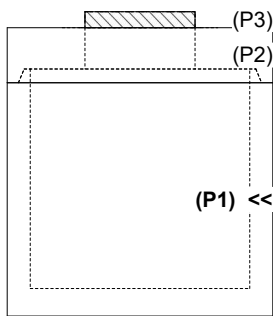
- Structure Notes:**
1. PER ASTM C-478 SPECIFICATIONS
 2. CONCRETE: 4,000 PSI AT 28 DAYS
 3. REINFORCEMENT: PER ASTM A615
 4. STEPS AT 90 DEGREES
 5. NO INVERT CHANNEL
 6. CASTING SUPPLIED BY OTHERS

Rim: 798.82' Rim to Invert: 4.92' Slack: 0.44" Sump: 1.9" Step Position: 90°

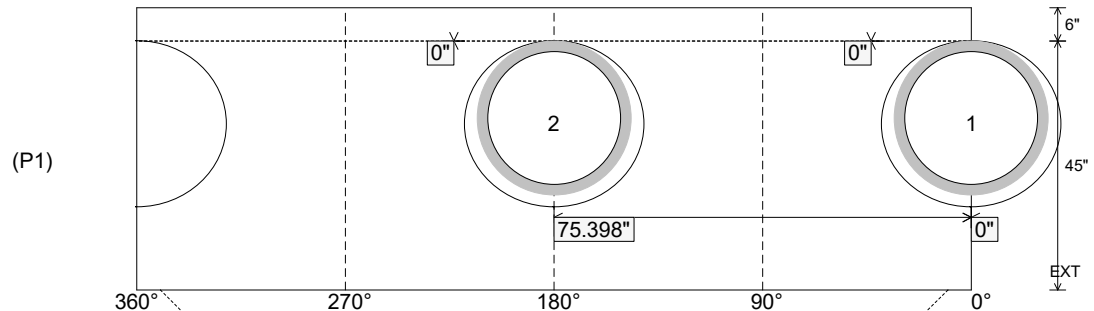
Position	Elev	Angle	Ext. (cw)	Pipe	Pipe OD	Connector	Hole	Horz Size	Up (⊥)	Offset
Invert 1	793.9'	0°	0"	24" HDPE	27.8"	Hole 30	30"	32.406"	0"	0"
Invert 2	793.9'	180°	91.106"	24" HDPE	27.8"	Hole 30	30"	32.406"	0"	0"
Invert 3										
Invert 4										
Invert 5										
Invert 6										
Invert 7										
Invert 8										

RIGHT-SIDE UP VIEW (int. dimensions)

UPSIDE-DOWN VIEW (int. dimensions)



INSIDE WALL DIMENSIONS



Coating (Int):
 Coating (Ext):

Seam Up: Tongue
 Seam Dn: n/a

Wall Thickness: 5"
 Floor Height: 6"

Height (Int): 45"
 Height (Ext): 51"

Weight (Net): 3842 lb
 Volume (Net): 0.98cu.yd