

Job Name: 25-4404 - Old Heritage Subdivision Section 7
Job Location: Shelbyville, KY 40065
Contractor: Filcon Construction

PC: C. Goff
 TECH: J. Horsley - F
 Plant: 100



Structure ID: 14+11.37

Spec: Storm
 Type: STM.MH (Recessed pipe)
 Size: 60"

Rim: 798.82'
 Invert: 793.64'
 Rim to Invert: 5.18'

Sump: 0"
 Floor (Top): 793.64'
 Floor Height: 8"

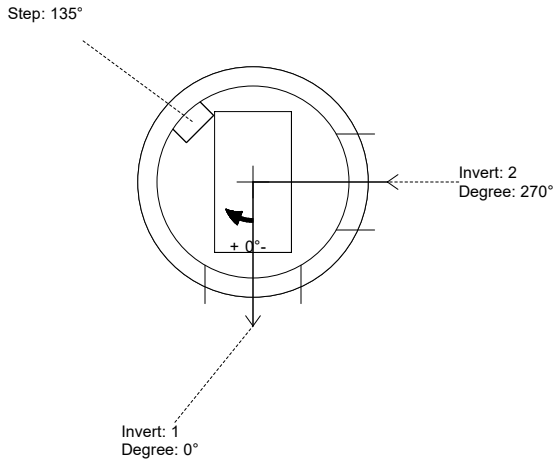
Floor (Bot): 792.973'
 Overall Height: 5.792'
 Slack: 0.66"

Structure Notes:

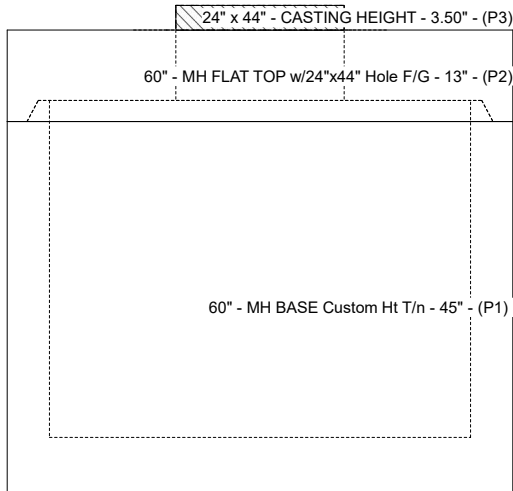
1. PER ASTM C-478 SPECIFICATIONS
2. CONCRETE: 4,000 PSI AT 28 DAYS
3. REINFORCEMENT:
 - FLAT LID: #5 BAR @ 6" C.C. E.W. (GRADE 60)
 - BASE: PER ASTM A615
4. STEPS AT 135 DEGREES
5. NO INVERT CHANNEL
6. CASTING SUPPLIED BY OTHERS

STRUCTURE SUMMARY:

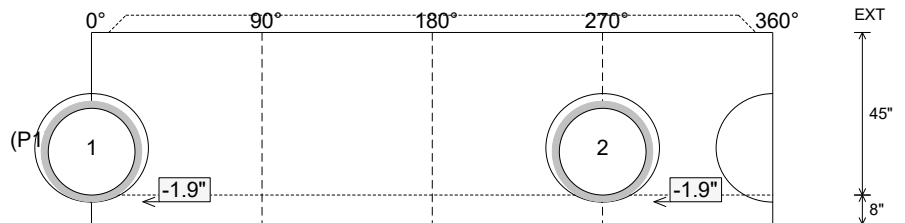
- P3) 24" x 44" - CASTING HEIGHT - 3.50" 0 lb
- P2) 60" - MH FLAT TOP w/24"x44" Hole F/G - 13" 2347 lb
- P1) 60" - MH BASE Custom Ht T/n - 45" 6691 lb
- 1) 60" - Conseal CS-102 1.00" 0 lb
- 2) Hole - 30 0 lb
- 4) MH Step ML-10-TDS-NCR - 10" 0 lb
- Structure Total: 9038 lb**



Position	Elev	Angle	Pipe	Pipe OD	Hole	Connector	Up (L)	Ref
Rim	798.82'							
Reducer								
Invert 1	793.64'	0°	24" HDPE	27.8"	30"	Hole 30	-1.9"	P1
Invert 2	793.64'	270°	24" HDPE	27.8"	30"	Hole 30	-1.9"	P1
Invert 3								
Invert 4								
Invert 5								
Invert 6								
Invert 7								
Invert 8								



Cast (Int. Dim.) - Interior Dimensions



Submittal Drawing
 12/17/2025 12:47:30 PM

SUBMITTAL
 APPROVED BY: