

Job Name: 25-4404 - Old Heritage Subdivision Section 7
Job Location: Shelbyville, KY 40065
Contractor: Filcon Construction

PC: C. Goff
 TECH: J. Horsley - F
 Plant: 100



Structure ID: 13+90.22

Spec: Storm
 Type: STM.MH (Recessed pipe)
 Size: 60"

Rim: 798.82'
 Invert: 793.43'
 Rim to Invert: 5.39'

Sump: 0"
 Floor (Top): 793.43'
 Floor Height: 8"

Floor (Bot): 792.763'
 Overall Height: 6.042'
 Slack: 0.18"

Structure Notes:

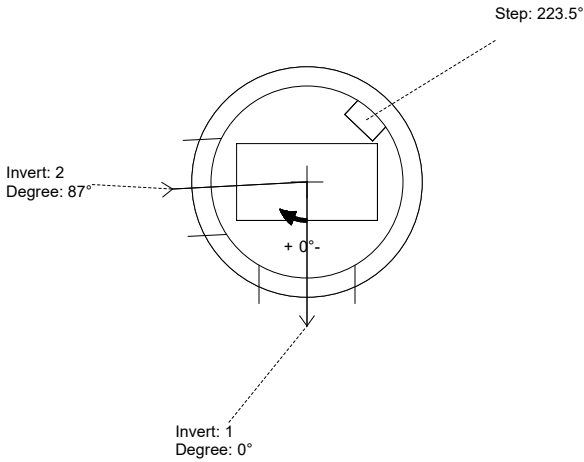
1. PER ASTM C-478 SPECIFICATIONS
2. CONCRETE: 4,000 PSI AT 28 DAYS
3. REINFORCEMENT:
 - FLAT LID: #5 BAR @ 6" C.C. E.W. (GRADE 60)
 - BASE: PER ASTM A615
4. STEPS AT 223.5 DEGREES
5. NO INVERT CHANNEL
6. CASTING SUPPLIED BY OTHERS

STRUCTURE SUMMARY:

- P3) 24" x 44" - CASTING HEIGHT - 3.50"
- P2) 60" - MH FLAT TOP w/24"x44" Hole F/G - 13"
- P1) 60" - MH BASE T/n - 48"
- 1) 60" - Conseal CS-102 1.00"
- 2) Hole - 30
- 4) MH Step ML-10-TDS-NCR - 10"

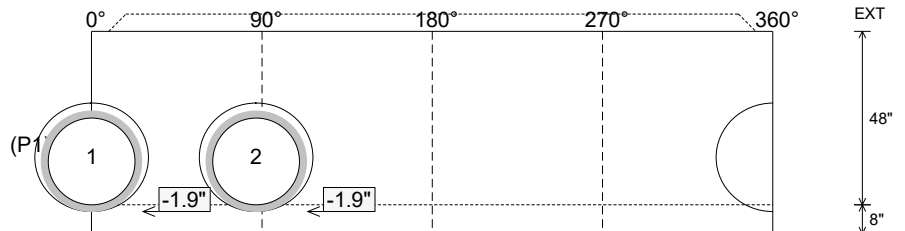
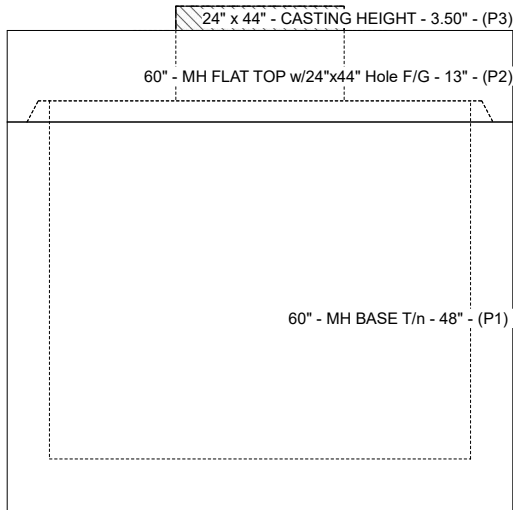
0 lb
 2347 lb
 7004 lb
 0 lb
 0 lb
 0 lb

Structure Total: 9351 lb



Position	Elev	Angle	Pipe	Pipe OD	Hole	Connector	Up (L)	Ref
Rim	798.82'							
Reducer								
Invert 1	793.43'	0°	24" HDPE	27.8"	30"	Hole 30	-1.9"	P1
Invert 2	793.43'	87°	24" HDPE	27.8"	30"	Hole 30	-1.9"	P1
Invert 3								
Invert 4								
Invert 5								
Invert 6								
Invert 7								
Invert 8								

Cast (Int. Dim.) - Interior Dimensions



Submittal Drawing
 12/17/2025 12:47:30 PM

SUBMITTAL
 APPROVED BY: