

Job Name: 25-4403 - Old Heritage Subdivision Section 6
Job Location: Shelbyville, KY 40065
Contractor: Filcon Construction

PC: C. Goff
 TECH: J. Horsey - F
 Plant: 100



Structure ID: 52
 Spec: Sanitary
 Type: SAN.MH
 Size: 48"

Rim: 775.01'
 Invert: 768.17'
 Rim to Invert: 6.84'

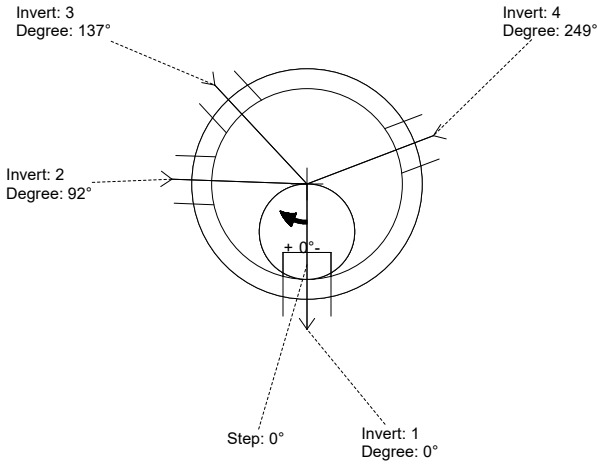
Sump: 3"
 Floor (Top): 767.92'
 Floor Height: 6"

Floor (Bot): 767.42'
 Overall Height: 7.583'
 Slack: 0.08"

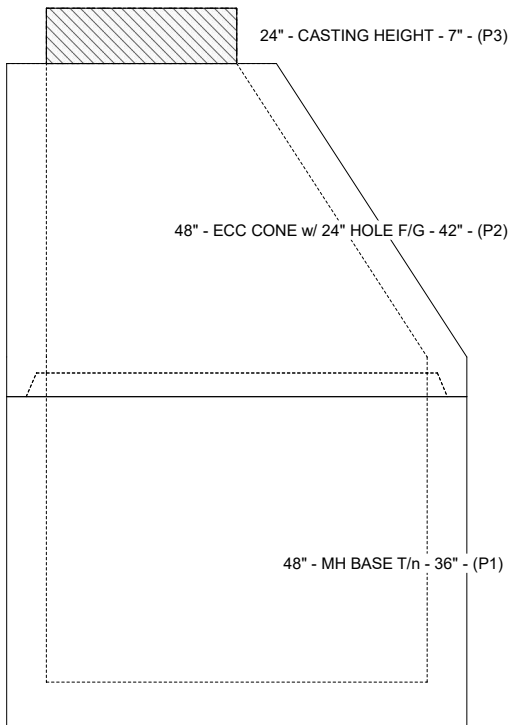
- Structure Notes:**
1. PER ASTM C-478 SPECIFICATIONS
 2. CONCRETE: 4,000 PSI AT 28 DAYS
 3. REINFORCEMENT: PER ASTM A615
 4. INVERT CHANNEL REQUIRED
 5. STEPS AT 0 DEGREES
 6. CASTING SUPPLIED BY OTHERS

STRUCTURE SUMMARY:

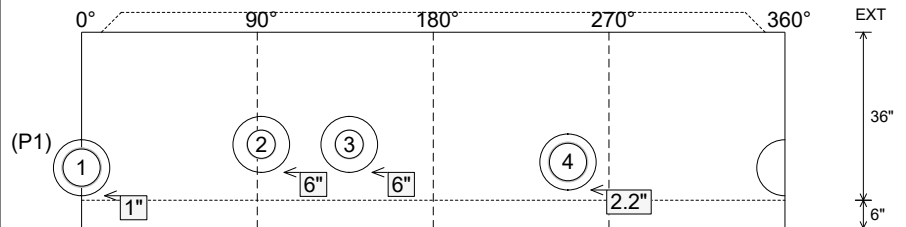
- P3) 24" - CASTING HEIGHT - 7" 0 lb
 - P2) 48" - ECC CONE w/ 24" HOLE F/G - 42" 3200 lb
 - P1) 48" - MH BASE T/n - 36" 3654 lb
 - 1) JOINT WRAP - 0.065"x6"x50' CONSEAL CS212 0 lb
 - 1) JOINT WRAP PRIMER - CONSEAL CS-75 (1 gal.) 0 lb
 - 1) 48" - MH INVERT CHANNEL - FULL HEIGHT 1440 lb
 - 1) 48" - Conseal CS-102 1.00" (Double) 0 lb
 - 2) PSX - 12-08 NYLO 16 lb
 - 2) PSX - 12-06 NYLO 16 lb
 - 6) MH Step ML-10-TDS-NCR - 10" 0 lb
- Structure Total: 8326 lb



Position	Elev	Angle	Pipe	Pipe OD	Hole	Connector	Up (L)	Ref
Rim	775.01'							
Reducer								
Invert 1	768.17'	0°	8" PVC SDR35	8.5"	12"	PSX 12-08 NYLO	1"	P1
Invert 2	768.67'	92°	6" PVC SDR35	6.25"	12"	PSX 12-06 NYLO	6"	P1
Invert 3	768.67'	137°	6" PVC SDR35	6.25"	12"	PSX 12-06 NYLO	6"	P1
Invert 4	768.27'	249°	8" PVC SDR35	8.5"	12"	PSX 12-08 NYLO	2.2"	P1
Invert 5								
Invert 6								
Invert 7								
Invert 8								



Cast (Int. Dim.) - Interior Dimensions



Submittal Drawing
 1/2/2026 1:20:09 PM

SUBMITTAL
 APPROVED BY: