

Job Name: 25-4403 - Old Heritage Subdivision Section 6
Job Location: Shelbyville, KY 40065
Contractor: Filcon Construction

PC: C. Goff
 TECH: J. Horsey - F
 Plant: 100



Structure ID: 48
 Spec: Sanitary
 Type: SAN.MH
 Size: 48"

Rim: 777.87'
 Invert: 770.01'
 Rim to Invert: 7.86'

Sump: 3"
 Floor (Top): 769.76'
 Floor Height: 6"

Floor (Bot): 769.26'
 Overall Height: 8.583'
 Slack: 0.32"

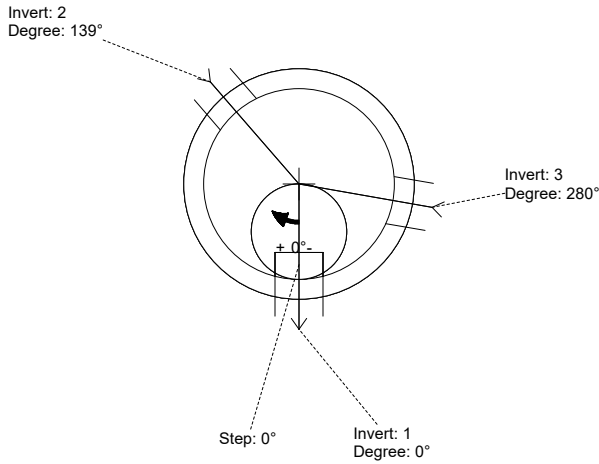
Structure Notes:

1. PER ASTM C-478 SPECIFICATIONS
2. CONCRETE: 4,000 PSI AT 28 DAYS
3. REINFORCEMENT: PER ASTM A615
4. INVERT CHANNEL REQUIRED
5. STEPS AT 0 DEGREES
6. CASTING SUPPLIED BY OTHERS

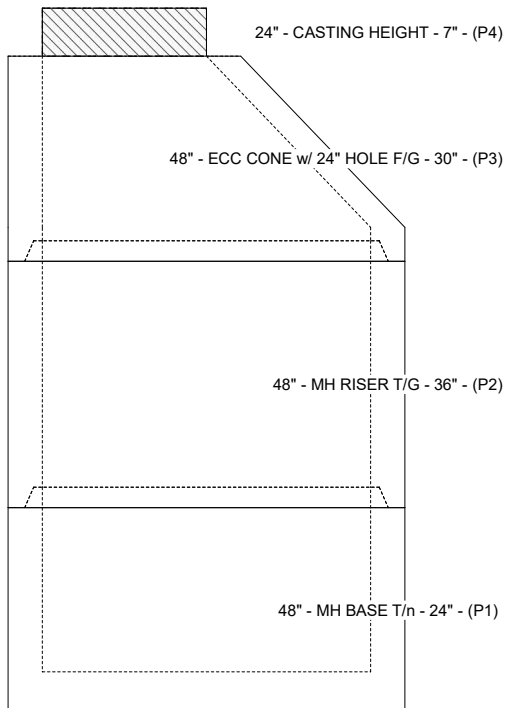
STRUCTURE SUMMARY:

- P4) 24" - CASTING HEIGHT - 7"
 - P3) 48" - ECC CONE w/ 24" HOLE F/G - 30"
 - P2) 48" - MH RISER T/G - 36"
 - P1) 48" - MH BASE T/n - 24"
- 1) JOINT WRAP - 0.065"x6"x50' CONSEAL CS212
 1) JOINT WRAP PRIMER - CONSEAL CS-75 (1 gal.)
 1) 48" - MH INVERT CHANNEL - FULL HEIGHT
 2) 48" - Conseal CS-102 1.00" (Double)
 3) PSX - 12-08 NYLO
 7) MH Step ML-10-TDS-NCR - 10"
- 0 lb
 2050 lb
 2515 lb
 2863 lb
 0 lb
 0 lb
 1440 lb
 0 lb
 24 lb
 0 lb

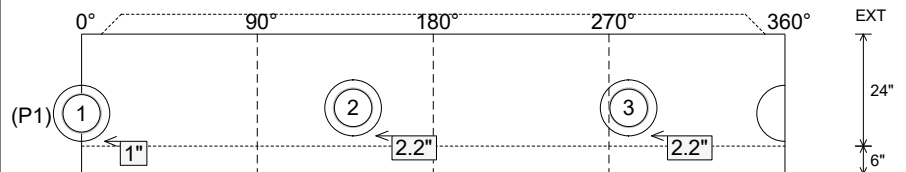
 Structure Total: 8892 lb



Position	Elev	Angle	Pipe	Pipe OD	Hole	Connector	Up (L)	Ref
Rim	777.87'							
Reducer								
Invert 1	770.01'	0°	8" PVC SDR35	8.5"	12"	PSX 12-08 NYLO	1"	P1
Invert 2	770.11'	139°	8" PVC SDR35	8.5"	12"	PSX 12-08 NYLO	2.2"	P1
Invert 3	770.11'	280°	8" PVC SDR35	8.5"	12"	PSX 12-08 NYLO	2.2"	P1
Invert 4								
Invert 5								
Invert 6								
Invert 7								
Invert 8								



Cast (Int. Dim.) - Interior Dimensions



Submittal Drawing
 1/2/2026 1:20:10 PM

SUBMITTAL
 APPROVED BY: