

Job Name: 25-4403 - Old Heritage Subdivision Section 6
 Job Location: Shelbyville, KY 40065
 Contractor: Filcon Construction

Plant: 100

Tech: J. Horsey - F

1/3/2026 11:37:12 AM

PC: C. Goff



Structure ID: 46

P1 MH048BA24

MH BASE T/n

- P5) 24" - CASTING HEIGHT - 7"
- P4) 24" - GRADE RING F/F - 4"
- P3) 48" - ECC CONE w/ 24" HOLE F/G - 36"
- P2) 48" - MH RISER T/G - 36"
- P1) 48" - MH BASE T/n - 24"

- 1) JOINT WRAP - 0.065"x6"x50' CONSEAL CS212
- 1) JOINT WRAP PRIMER - CONSEAL CS-75 (1 gal.)
- 1) 48" - MH INVERT CHANNEL - FULL HEIGHT
- 2) 48" - Conseal CS-102 1.00" (Double)
- 2) PSX - 12-08 NYLO
- 2) PSX - 12-06 NYLO
- 7) MH Step ML-10-TDS-NCR - 10"

0 lb
 270 lb
 3000 lb
 2515 lb
 2815 lb
 0 lb
 0 lb
 1440 lb
 0 lb
 16 lb
 16 lb
 0 lb

- Structure Notes:**
1. PER ASTM C-478 SPECIFICATIONS
 2. CONCRETE: 4,000 PSI AT 28 DAYS
 3. REINFORCEMENT: PER ASTM A615
 4. INVERT CHANNEL REQUIRED
 5. STEPS AT 0 DEGREES
 6. CASTING SUPPLIED BY OTHERS

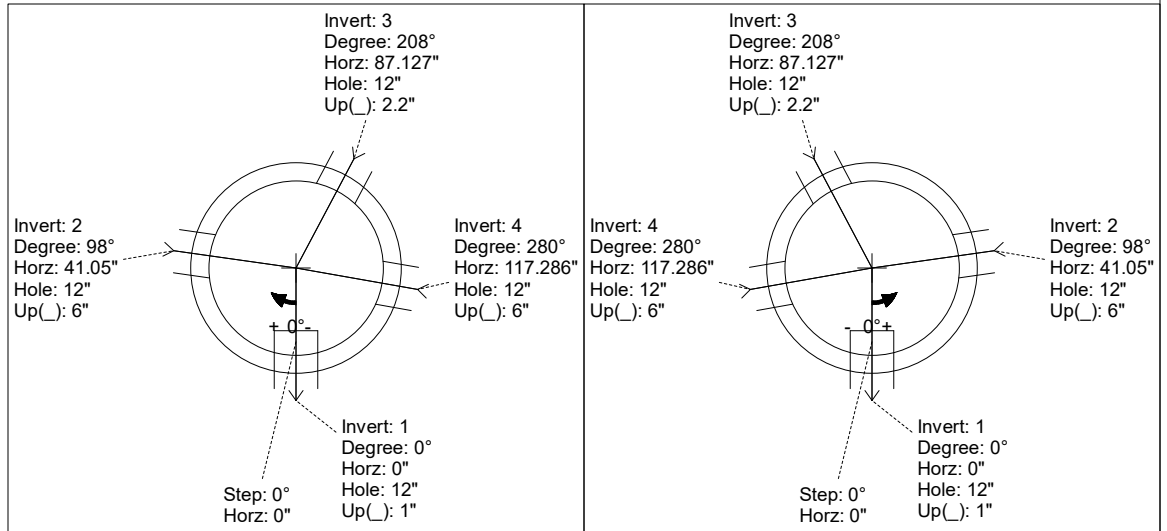
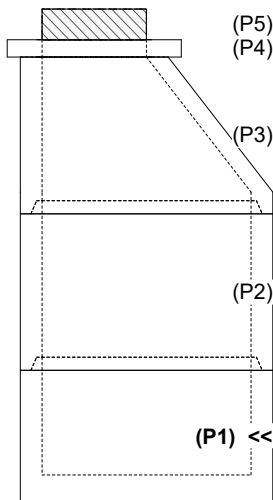
Structure Total: 10072 lb

Rim: 779.64' Rim to Invert: 8.77' Slack: 1.24" Sump: 3" Step Position: 0°

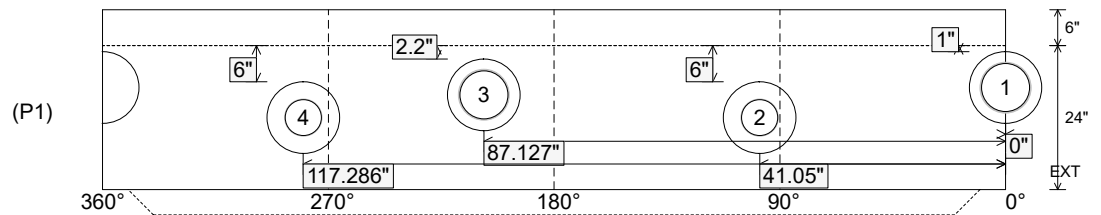
Position	Elev	Angle	Ext. (cw)	Pipe	Pipe OD	Connector	Hole	Horz Size	Up ()	Offset
Invert 1	770.87'	0°	0"	8" PVC SDR35	8.5"	PSX 12-08 NYLO	12"	12.129"	1"	0"
Invert 2	771.37'	98°	49.602"	6" PVC SDR35	6.25"	PSX 12-06 NYLO	12"	12.129"	6"	0"
Invert 3	770.97'	208°	105.278"	8" PVC SDR35	8.5"	PSX 12-08 NYLO	12"	12.129"	2.2"	0"
Invert 4	771.37'	280°	141.721"	6" PVC SDR35	6.25"	PSX 12-06 NYLO	12"	12.129"	6"	0"
Invert 5										
Invert 6										
Invert 7										
Invert 8										

RIGHT-SIDE UP VIEW (int. dimensions)

UPSIDE-DOWN VIEW (int. dimensions)



INSIDE WALL DIMENSIONS



Coating (Int):
 Coating (Ext):

Seam Up: Tongue
 Seam Dn: n/a

Wall Thickness: 5"
 Floor Height: 6"

Height (Int): 24"
 Height (Ext): 30"

Weight (Net): 2815 lb
 Volume (Net): 0.72cu.yd



Structure ID: 46

P1 MH048BA24

MH BASE T/n

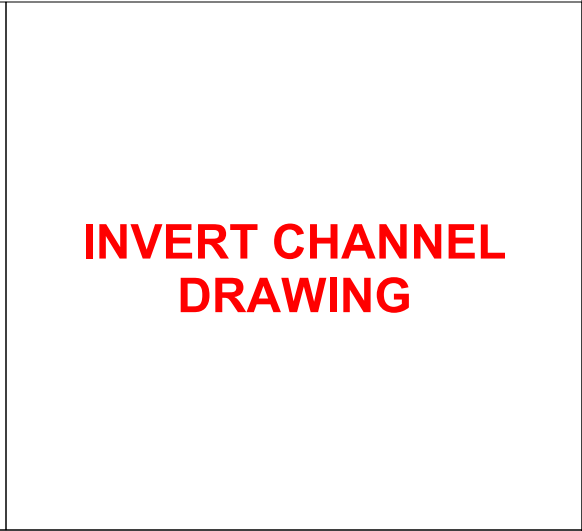
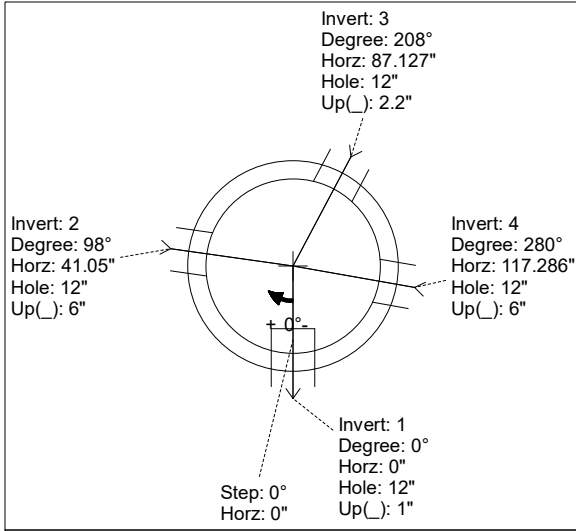
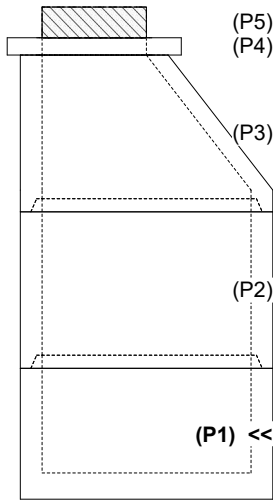
P5) 24" - CASTING HEIGHT - 7" P4) 24" - GRADE RING F/F - 4" P3) 48" - ECC CONE w/ 24" HOLE F/G - 36" P2) 48" - MH RISER T/G - 36" P1) 48" - MH BASE T/n - 24" 1) JOINT WRAP - 0.065"x6"x50' CONSEAL CS212 1) JOINT WRAP PRIMER - CONSEAL CS-75 (1 gal.) 1) 48" - MH INVERT CHANNEL - FULL HEIGHT 2) 48" - Conseal CS-102 1.00" (Double) 2) PSX - 12-08 NYLO 2) PSX - 12-06 NYLO 7) MH Step ML-10-TDS-NCR - 10"	0 lb 270 lb 3000 lb 2515 lb 2815 lb 0 lb 0 lb 1440 lb 0 lb 16 lb 16 lb 0 lb	Structure Notes: 1. PER ASTM C-478 SPECIFICATIONS 2. CONCRETE: 4,000 PSI AT 28 DAYS 3. REINFORCEMENT: PER ASTM A615 4. INVERT CHANNEL REQUIRED 5. STEPS AT 0 DEGREES 6. CASTING SUPPLIED BY OTHERS
Structure Total:		10072 lb

Rim: 779.64' Rim to Invert: 8.77' Slack: 1.24" Sump: 3" Step Position: 0°

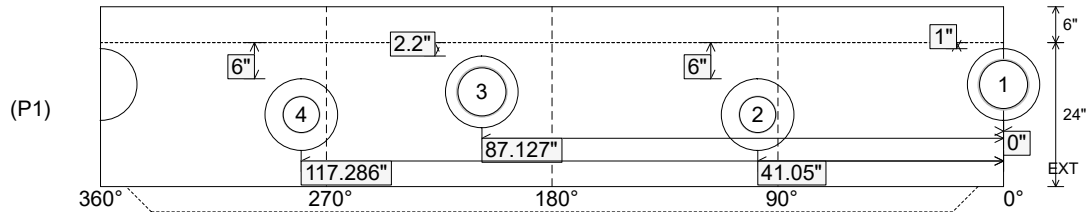
Position	Elev	Angle	Ext. (cw)	Pipe	Pipe OD	Connector	Hole	Horz Size	Up ()	Offset
Invert 1	770.87'	0°	0"	8" PVC SDR35	8.5"	PSX 12-08 NYLO	12"	12.129"	1"	0"
Invert 2	771.37'	98°	49.602"	6" PVC SDR35	6.25"	PSX 12-06 NYLO	12"	12.129"	6"	0"
Invert 3	770.97'	208°	105.278"	8" PVC SDR35	8.5"	PSX 12-08 NYLO	12"	12.129"	2.2"	0"
Invert 4	771.37'	280°	141.721"	6" PVC SDR35	6.25"	PSX 12-06 NYLO	12"	12.129"	6"	0"
Invert 5										
Invert 6										
Invert 7										
Invert 8										

RIGHT-SIDE UP VIEW (int. dimensions)

UPSIDE-DOWN VIEW (int. dimensions)



INSIDE WALL DIMENSIONS



Coating (Int): Coating (Ext):	Seam Up: Tongue Seam Dn: n/a	Wall Thickness: 5" Floor Height: 6"	Height (Int): 24" Height (Ext): 30"	Weight (Net): 2815 lb Volume (Net): 0.72cu.yd
----------------------------------	---------------------------------	--	--	--