

Job Name: 25-4403 - Old Heritage Subdivision Section 6
Job Location: Shelbyville, KY 40065
Contractor: Filcon Construction

PC: C. Goff
 TECH: J. Horsey - F
 Plant: 100



Structure ID: 301
 Spec: Sanitary
 Type: SAN.MH
 Size: 48"

Rim: 782.16'
 Invert: 774.37'
 Rim to Invert: 7.79'

Sump: 3"
 Floor (Top): 774.12'
 Floor Height: 6"

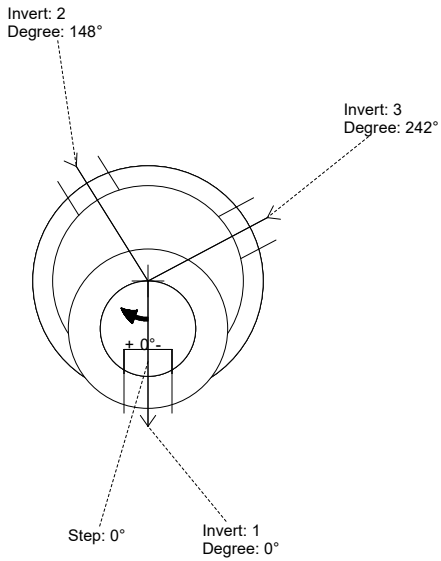
Floor (Bot): 773.62'
 Overall Height: 8.417'
 Slack: 1.48"

Structure Notes:

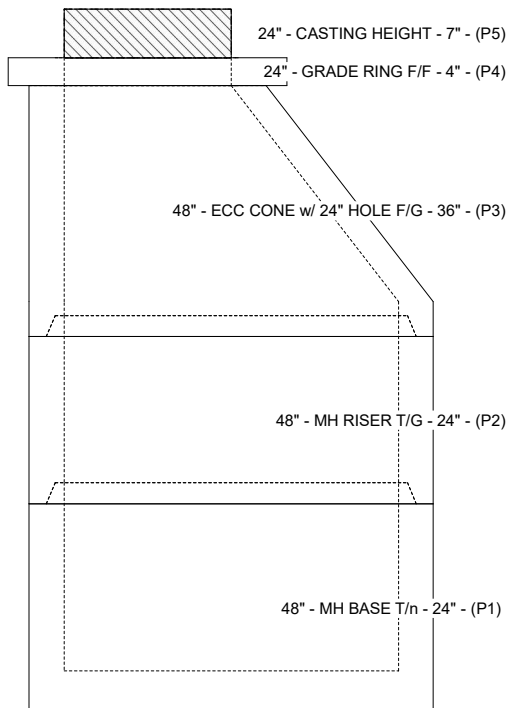
1. PER ASTM C-478 SPECIFICATIONS
2. CONCRETE: 4,000 PSI AT 28 DAYS
3. REINFORCEMENT: PER ASTM A615
4. INVERT CHANNEL REQUIRED
5. STEPS AT 0 DEGREES
6. CASTING SUPPLIED BY OTHERS

STRUCTURE SUMMARY:

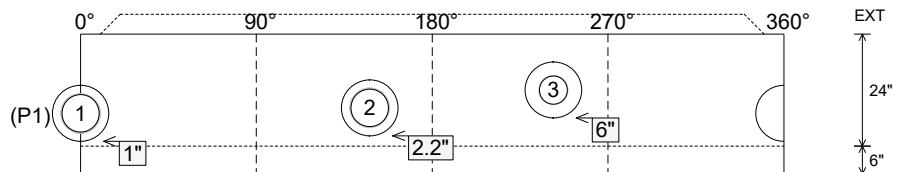
- P5) 24" - CASTING HEIGHT - 7" 0 lb
 - P4) 24" - GRADE RING F/F - 4" 270 lb
 - P3) 48" - ECC CONE w/ 24" HOLE F/G - 36" 3000 lb
 - P2) 48" - MH RISER T/G - 24" 1677 lb
 - P1) 48" - MH BASE T/n - 24" 2863 lb
 - 1) JOINT WRAP - 0.065"x6"x50' CONSEAL CS212 0 lb
 - 1) JOINT WRAP PRIMER - CONSEAL CS-75 (1 gal.) 0 lb
 - 1) 48" - MH INVERT CHANNEL - FULL HEIGHT 1440 lb
 - 2) 48" - Conseal CS-102 1.00" (Double) 0 lb
 - 2) PSX - 12-08 NYLO 16 lb
 - 1) PSX - 12-06 NYLO 8 lb
 - 6) MH Step ML-10-TDS-NCR - 10" 0 lb
- Structure Total: 9274 lb**



Position	Elev	Angle	Pipe	Pipe OD	Hole	Connector	Up (L)	Ref
Rim	782.16'							
Reducer								
Invert 1	774.37'	0°	8" PVC SDR35	8.5"	12"	PSX 12-08 NYLO	1"	P1
Invert 2	774.47'	148°	8" PVC SDR35	8.5"	12"	PSX 12-08 NYLO	2.2"	P1
Invert 3	774.87'	242°	6" PVC SDR35	6.25"	12"	PSX 12-06 NYLO	6"	P1
Invert 4								
Invert 5								
Invert 6								
Invert 7								
Invert 8								



Cast (Int. Dim.) - Interior Dimensions



Submittal Drawing
 1/2/2026 1:20:14 PM

SUBMITTAL
 APPROVED BY: