

Structure ID: 301

P1 MH048BA24

MH BASE T/n

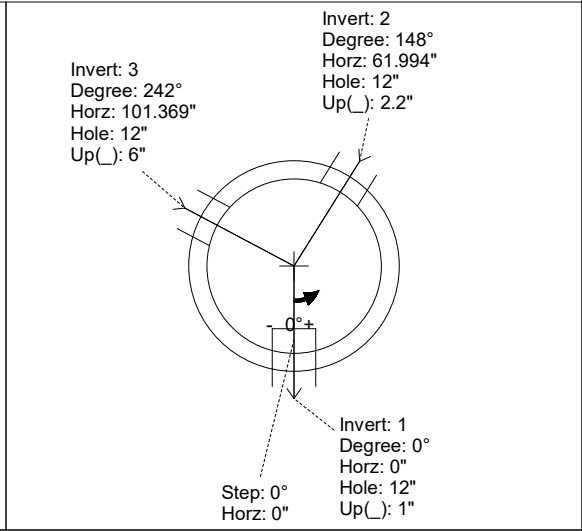
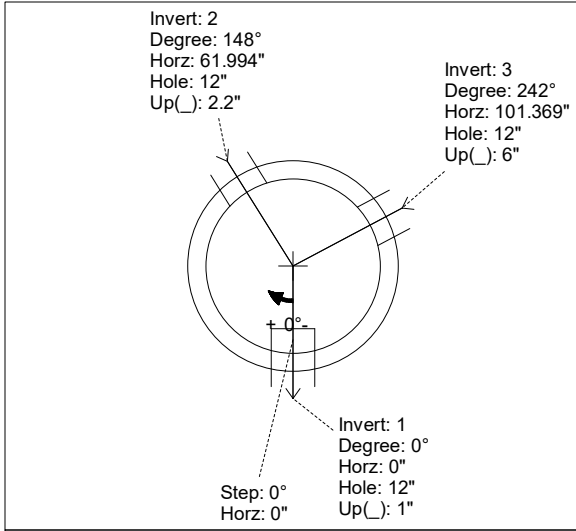
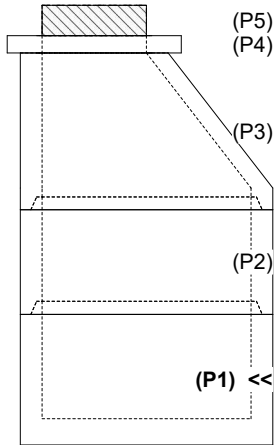
P5) 24" - CASTING HEIGHT - 7" P4) 24" - GRADE RING F/F - 4" P3) 48" - ECC CONE w/ 24" HOLE F/G - 36" P2) 48" - MH RISER T/G - 24" P1) 48" - MH BASE T/n - 24" 1) JOINT WRAP - 0.065"x6"x50' CONSEAL CS212 1) JOINT WRAP PRIMER - CONSEAL CS-75 (1 gal.) 1) 48" - MH INVERT CHANNEL - FULL HEIGHT 2) 48" - Conseal CS-102 1.00" (Double) 2) PSX - 12-08 NYLO 1) PSX - 12-06 NYLO 6) MH Step ML-10-TDS-NCR - 10"	0 lb 270 lb 3000 lb 1677 lb 2863 lb 0 lb 0 lb 1440 lb 0 lb 16 lb 8 lb 0 lb ----- Structure Total: 9274 lb	Structure Notes: 1. PER ASTM C-478 SPECIFICATIONS 2. CONCRETE: 4,000 PSI AT 28 DAYS 3. REINFORCEMENT: PER ASTM A615 4. INVERT CHANNEL REQUIRED 5. STEPS AT 0 DEGREES 6. CASTING SUPPLIED BY OTHERS
---	--	---

Rim: 782.16' Rim to Invert: 7.79' Slack: 1.48" Sump: 3" Step Position: 0°

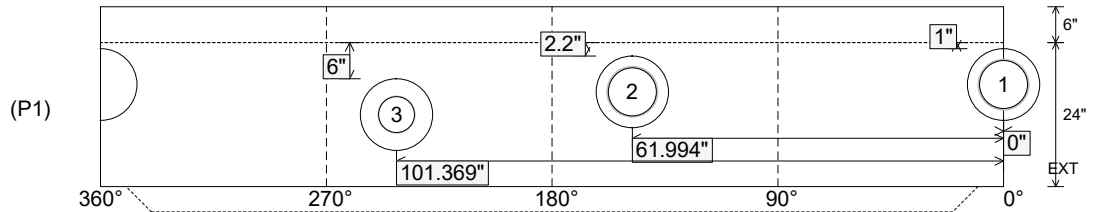
Position	Elev	Angle	Ext. (cw)	Pipe	Pipe OD	Connector	Hole	Horz Size	Up ()	Offset
Invert 1	774.37'	0°	0"	8" PVC SDR35	8.5"	PSX 12-08 NYLO	12"	12.129"	1"	0"
Invert 2	774.47'	148°	74.91"	8" PVC SDR35	8.5"	PSX 12-08 NYLO	12"	12.129"	2.2"	0"
Invert 3	774.87'	242°	122.487"	6" PVC SDR35	6.25"	PSX 12-06 NYLO	12"	12.129"	6"	0"
Invert 4										
Invert 5										
Invert 6										
Invert 7										
Invert 8										

RIGHT-SIDE UP VIEW (int. dimensions)

UPSIDE-DOWN VIEW (int. dimensions)



INSIDE WALL DIMENSIONS



Coating (Int): Coating (Ext):	Seam Up: Tongue Seam Dn: n/a	Wall Thickness: 5" Floor Height: 6"	Height (Int): 24" Height (Ext): 30"	Weight (Net): 2863 lb Volume (Net): 0.73cu.yd
----------------------------------	---------------------------------	--	--	--

Structure ID: 301

P1 MH048BA24

MH BASE T/n

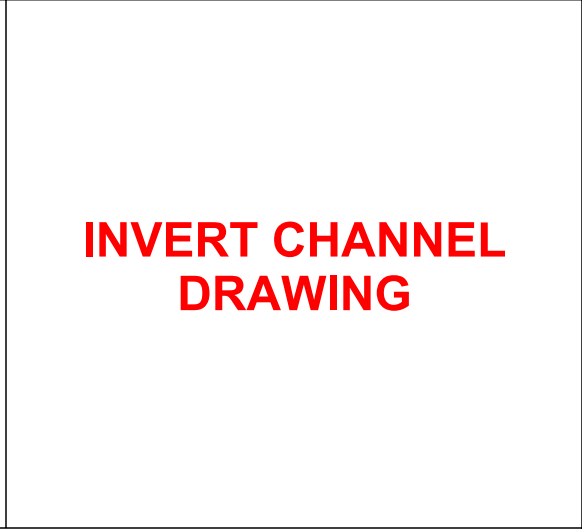
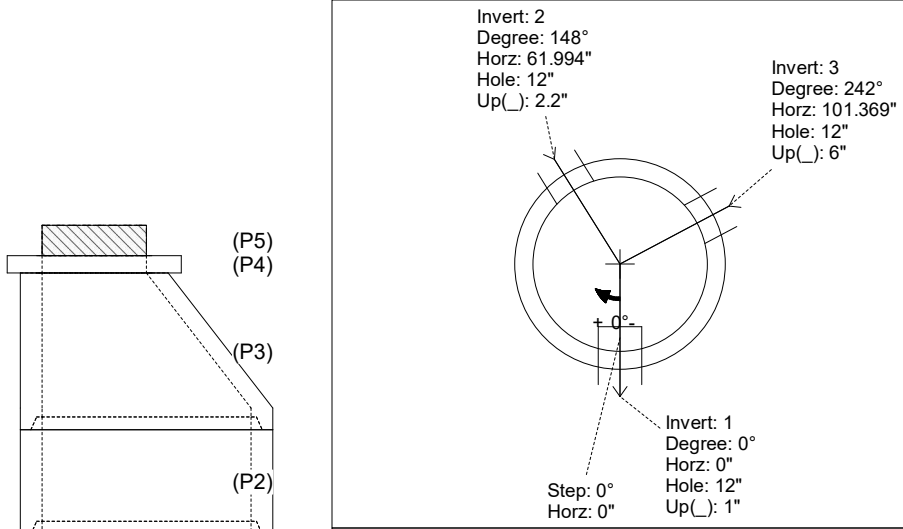
P5) 24" - CASTING HEIGHT - 7" P4) 24" - GRADE RING F/F - 4" P3) 48" - ECC CONE w/ 24" HOLE F/G - 36" P2) 48" - MH RISER T/G - 24" P1) 48" - MH BASE T/n - 24" 1) JOINT WRAP - 0.065"x6"x50' CONSEAL CS212 1) JOINT WRAP PRIMER - CONSEAL CS-75 (1 gal.) 1) 48" - MH INVERT CHANNEL - FULL HEIGHT 2) 48" - Conseal CS-102 1.00" (Double) 2) PSX - 12-08 NYLO 1) PSX - 12-06 NYLO 6) MH Step ML-10-TDS-NCR - 10"	0 lb 270 lb 3000 lb 1677 lb 2863 lb 0 lb 0 lb 1440 lb 0 lb 16 lb 8 lb 0 lb ----- Structure Total: 9274 lb	Structure Notes: 1. PER ASTM C-478 SPECIFICATIONS 2. CONCRETE: 4,000 PSI AT 28 DAYS 3. REINFORCEMENT: PER ASTM A615 4. INVERT CHANNEL REQUIRED 5. STEPS AT 0 DEGREES 6. CASTING SUPPLIED BY OTHERS
---	--	---

Rim: 782.16' Rim to Invert: 7.79' Slack: 1.48" Sump: 3" Step Position: 0°

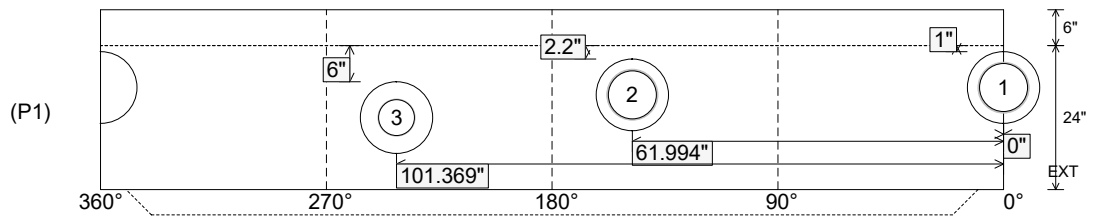
Position	Elev	Angle	Ext. (cw)	Pipe	Pipe OD	Connector	Hole	Horz Size	Up ()	Offset
Invert 1	774.37'	0°	0"	8" PVC SDR35	8.5"	PSX 12-08 NYLO	12"	12.129"	1"	0"
Invert 2	774.47'	148°	74.91"	8" PVC SDR35	8.5"	PSX 12-08 NYLO	12"	12.129"	2.2"	0"
Invert 3	774.87'	242°	122.487"	6" PVC SDR35	6.25"	PSX 12-06 NYLO	12"	12.129"	6"	0"
Invert 4										
Invert 5										
Invert 6										
Invert 7										
Invert 8										

RIGHT-SIDE UP VIEW (int. dimensions)

UPSIDE-DOWN VIEW (int. dimensions)



INSIDE WALL DIMENSIONS



Coating (Int): Coating (Ext):	Seam Up: Tongue Seam Dn: n/a	Wall Thickness: 5" Floor Height: 6"	Height (Int): 24" Height (Ext): 30"	Weight (Net): 2863 lb Volume (Net): 0.73cu.yd
----------------------------------	---------------------------------	--	--	--