

**Structure ID: 298**

**P1 MH048BA24**

**MH BASE T/n**

P4) 24" - CASTING HEIGHT - 7" P3) 24" - GRADE RING F/F - 3" P2) 48" - ECC CONE w/ 24" HOLE F/G - 24" P1) 48" - MH BASE T/n - 24" 1) JOINT WRAP - 0.065"x6"x50' CONSEAL CS212 1) JOINT WRAP PRIMER - CONSEAL CS-75 (1 gal.) 1) 48" - MH INVERT CHANNEL - FULL HEIGHT 1) 48" - Conseal CS-102 1.00" (Double) 1) PSX - 12-08 NYLO 1) PSX - 12-06 NYLO 3) MH Step ML-10-TDS-NCR - 10"	0 lb 202 lb 1550 lb 2911 lb 0 lb 0 lb 1440 lb 0 lb 8 lb 8 lb 0 lb ----- Structure Total: 6120 lb
---	--

**Structure Notes:**

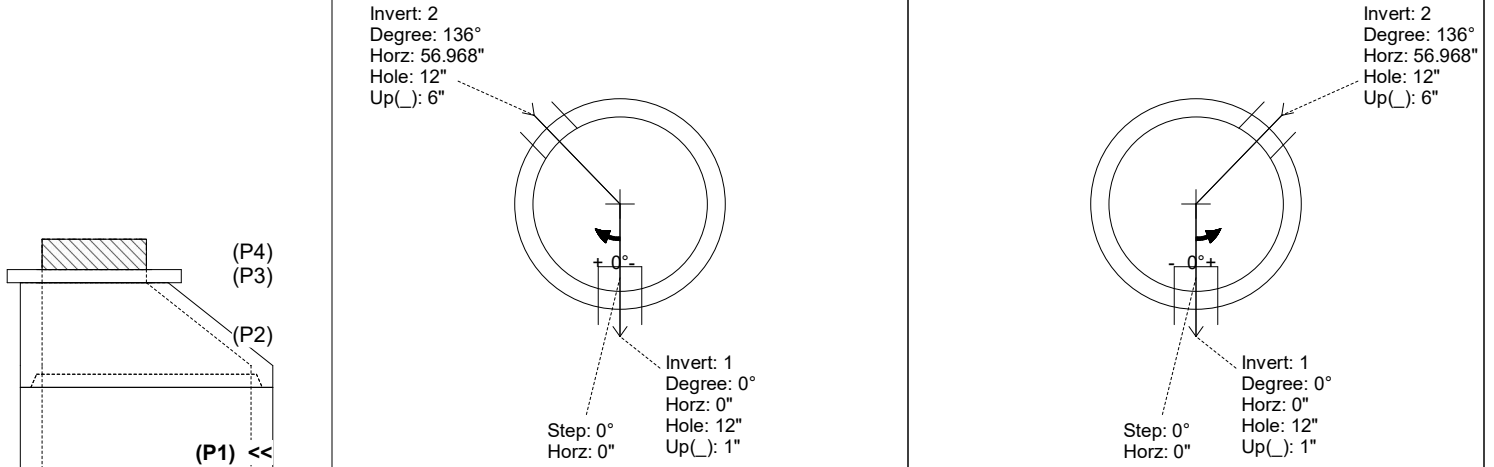
1. PER ASTM C-478 SPECIFICATIONS
2. CONCRETE: 4,000 PSI AT 28 DAYS
3. REINFORCEMENT: PER ASTM A615
4. INVERT CHANNEL REQUIRED
5. STEPS AT 0 DEGREES
6. CASTING SUPPLIED BY OTHERS

Rim: 782.64'    Rim to Invert: 4.64'    Slack: 0.68"    Sump: 3"    Step Position: 0°

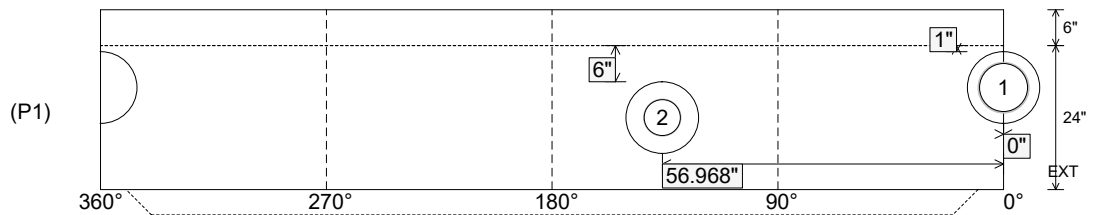
Position	Elev	Angle	Ext. (cw)	Pipe	Pipe OD	Connector	Hole	Horz Size	Up ( )	Offset
Invert 1	778'	0°	0"	8" PVC SDR35	8.5"	PSX 12-08 NYLO	12"	12.129"	1"	0"
Invert 2	778.5'	136°	68.836"	6" PVC SDR35	6.25"	PSX 12-06 NYLO	12"	12.129"	6"	0"
Invert 3										
Invert 4										
Invert 5										
Invert 6										
Invert 7										
Invert 8										

RIGHT-SIDE UP VIEW (int. dimensions)

UPSIDE-DOWN VIEW (int. dimensions)



INSIDE WALL DIMENSIONS



Coating (Int): Coating (Ext):	Seam Up: Tongue Seam Dn: n/a	Wall Thickness: 5" Floor Height: 6"	Height (Int): 24" Height (Ext): 30"	Weight (Net): 2911 lb Volume (Net): 0.74cu.yd
----------------------------------	---------------------------------	--	--	--



**Structure ID: 298**

**P1 MH048BA24**

**MH BASE T/n**

P4) 24" - CASTING HEIGHT - 7" P3) 24" - GRADE RING F/F - 3" P2) 48" - ECC CONE w/ 24" HOLE F/G - 24" P1) 48" - MH BASE T/n - 24" 1) JOINT WRAP - 0.065"x6"x50' CONSEAL CS212 1) JOINT WRAP PRIMER - CONSEAL CS-75 (1 gal.) 1) 48" - MH INVERT CHANNEL - FULL HEIGHT 1) 48" - Conseal CS-102 1.00" (Double) 1) PSX - 12-08 NYLO 1) PSX - 12-06 NYLO 3) MH Step ML-10-TDS-NCR - 10"	0 lb 202 lb 1550 lb 2911 lb 0 lb 0 lb 1440 lb 0 lb 8 lb 8 lb 0 lb ----- Structure Total: 6120 lb
---	--

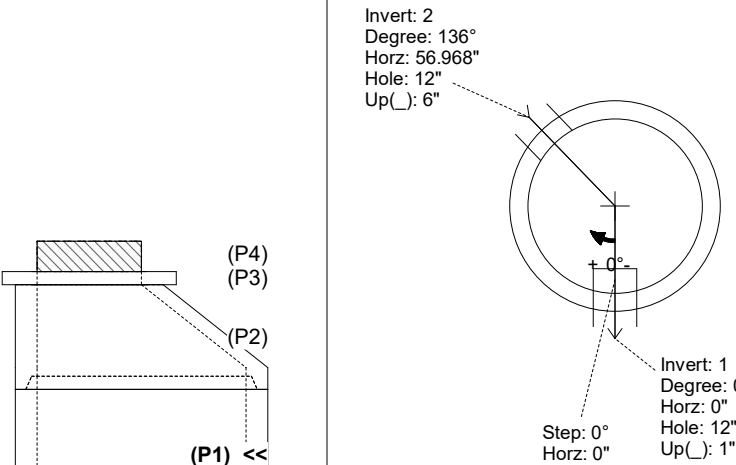
**Structure Notes:**

1. PER ASTM C-478 SPECIFICATIONS
2. CONCRETE: 4,000 PSI AT 28 DAYS
3. REINFORCEMENT: PER ASTM A615
4. INVERT CHANNEL REQUIRED
5. STEPS AT 0 DEGREES
6. CASTING SUPPLIED BY OTHERS

Rim: 782.64'    Rim to Invert: 4.64'    Slack: 0.68"    Sump: 3"    Step Position: 0°

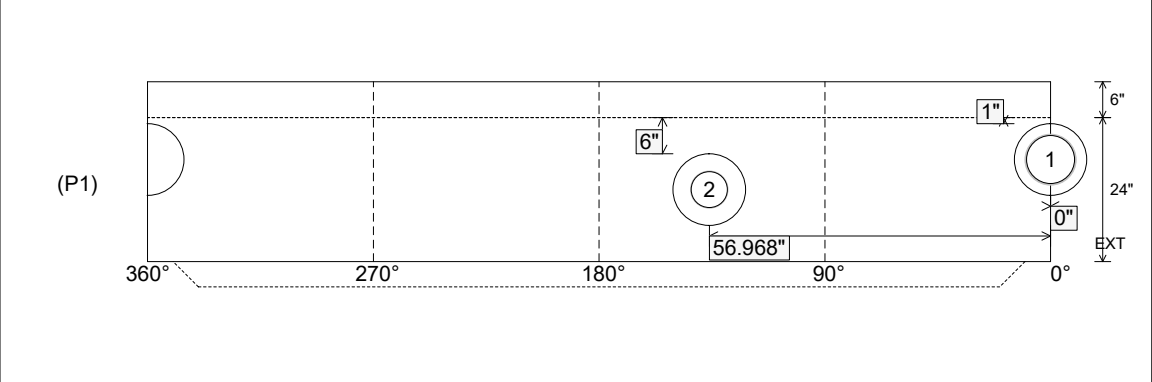
Position	Elev	Angle	Ext. (cw)	Pipe	Pipe OD	Connector	Hole	Horz Size	Up ( )	Offset
Invert 1	778'	0°	0"	8" PVC SDR35	8.5"	PSX 12-08 NYLO	12"	12.129"	1"	0"
Invert 2	778.5'	136°	68.836"	6" PVC SDR35	6.25"	PSX 12-06 NYLO	12"	12.129"	6"	0"
Invert 3										
Invert 4										
Invert 5										
Invert 6										
Invert 7										
Invert 8										

RIGHT-SIDE UP VIEW (int. dimensions)      UPSIDE-DOWN VIEW (int. dimenions)



INVERT CHANNEL DRAWING

INSIDE WALL DIMENSIONS



Coating (Int): Coating (Ext):	Seam Up: Tongue Seam Dn: n/a	Wall Thickness: 5" Floor Height: 6"	Height (Int): 24" Height (Ext): 30"	Weight (Net): 2911 lb Volume (Net): 0.74cu.yd
----------------------------------	---------------------------------	--	--	--