

**Job Name: 25-4403 - Old Heritage Subdivision Section 6**  
**Job Location: Shelbyville, KY 40065**  
**Contractor: Filcon Construction**

PC: C. Goff  
 TECH: J. Horsey - F  
 Plant: 100



Structure ID: 18+88.09 LN 8

Spec: Storm  
 Type: STM.MH (Recessed pipe)  
 Size: 48"

Rim: 778.68'  
 Invert: 775.78'  
 Rim to Invert: 2.9'

Sump: 0"  
 Floor (Top): 775.78'  
 Floor Height: 6"

Floor (Bot): 775.28'  
 Overall Height: 3.375'  
 Slack: 0.3"

**Structure Notes:**

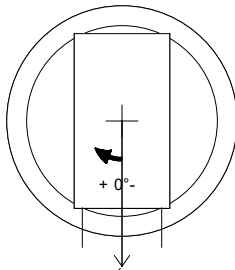
1. PER ASTM C-478 SPECIFICATIONS
2. CONCRETE: 4,000 PSI AT 28 DAYS
3. REINFORCEMENT:
  - FLAT LID: #4 BAR @ 10" C.C. E.W. (GRADE 60)
  - BASE: PER ASTM A615
4. NO INVERT CHANNEL
5. NO STEPS
6. CASTING SUPPLIED BY OTHERS

**STRUCTURE SUMMARY:**

- P3) 24" x 44" - CASTING HEIGHT - 3.50"
- P2) 48" - MH FLAT TOP w/24"x44" Hole F/F - 7"
- P1) 48" - MH BASE F/n - 24"
- 1) 48" - Conseal CS-102 1.00"
- 1) Hole - 20

0 lb  
 932 lb  
 2872 lb  
 0 lb  
 0 lb

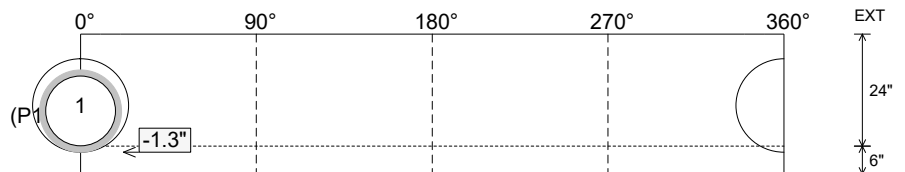
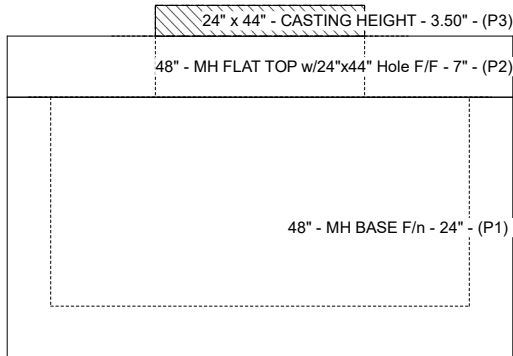
Structure Total: 3803 lb



Invert: 1  
 Degree: 0°

Position	Elev	Angle	Pipe	Pipe OD	Hole	Connector	Up (L)	Ref
Rim	778.68'							
Reducer								
Invert 1	775.78'	0°	15" HDPE	17.6"	20"	Hole 20	-1.3"	P1
Invert 2								
Invert 3								
Invert 4								
Invert 5								
Invert 6								
Invert 7								
Invert 8								

**Cast (Int. Dim.) - Interior Dimensions**



Submittal Drawing  
 1/2/2026 1:20:22 PM

SUBMITTAL  
 APPROVED BY: