

Job Name: 25-4403 - Old Heritage Subdivision Section 6
 Job Location: Shelbyville, KY 40065
 Contractor: Filcon Construction

Plant: 100
 1/3/2026 12:54:26 PM

Tech: J. Hortsey - F
 PC: C. Goff



Structure ID: 18+88.09 LN 8

P2 MH048LD07SP

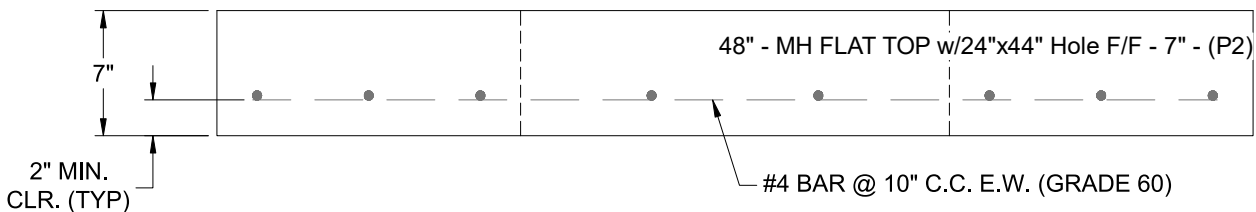
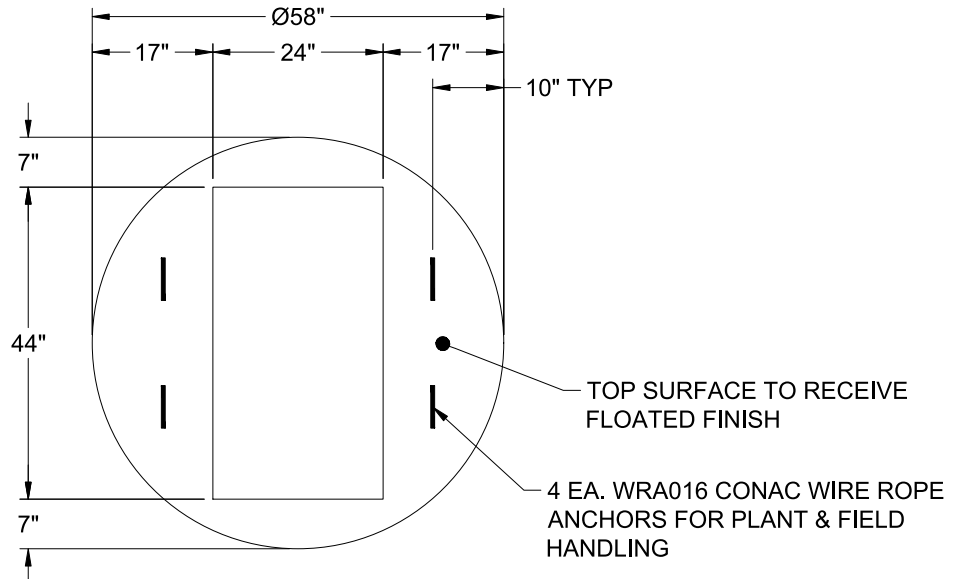
MH FLAT TOP w/24"x44" Hole F/F

P3) 24" x 44" - CASTING HEIGHT - 3.50"
 P2) 48" - MH FLAT TOP w/24"x44" Hole F/F - 7"
 P1) 48" - MH BASE F/n - 24"
 1) 48" - Conseal CS-102 1.00"
 1) Hole - 20

0 lb
 932 lb
 2872 lb
 0 lb
 0 lb

 Structure Total: 3803 lb

Structure Notes:
 1. PER ASTM C-478 SPECIFICATIONS
 2. CONCRETE: 4,000 PSI AT 28 DAYS
 3. REINFORCEMENT: #4 BAR @ 10" C.C. E.W. (GRADE 60) - 2" MIN. REBAR CLEARANCE (TYP)
 4. NO INVERT CHANNEL
 5. NO STEPS
 6. CASTING SUPPLIED BY OTHERS
 7. LIFTERS: 4 EA. WRA016 CONAC WIRE ROPE ANCHORS FOR PLANT & FIELD HANDLING



Coating (Int):
 Coating (Ext):

Seam Up: Flat
 Seam Dn: Flat

Wall Thickness: 5"

Height (Ext): 7"

Weight (Net): 932 lb
 Volume (Net): 0.24cu.yd