

Job Name: 25-4403 - Old Heritage Subdivision Section 6
Job Location: Shelbyville, KY 40065
Contractor: Filcon Construction

PC: C. Goff
 TECH: J. Horsey - F
 Plant: 100



Structure ID: **18+85.96 LN 9**

Spec: Storm
 Type: STM.MH (Recessed pipe)
 Size: 48"

Rim: 783.14'
 Invert: 780.32'
 Rim to Invert: 2.82'

Sump: 0"
 Floor (Top): 780.32'
 Floor Height: 6"

Floor (Bot): 779.82'
 Overall Height: 3.292'
 Slack: 0.34"

Structure Notes:

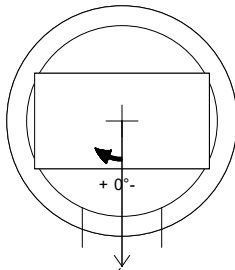
1. PER ASTM C-478 SPECIFICATIONS
2. CONCRETE: 4,000 PSI AT 28 DAYS
3. REINFORCEMENT:
 - FLAT LID: #4 BAR @ 10" C.C. E.W. (GRADE 60)
 - BASE: PER ASTM A615
4. NO INVERT CHANNEL
5. NO STEPS
6. CASTING SUPPLIED BY OTHERS

STRUCTURE SUMMARY:

- P3) 24" x 44" - CASTING HEIGHT - 3.50"
- P2) 48" - MH FLAT TOP w/24"x44" Hole F/F - 7"
- P1) 48" - MH BASE Custom Ht F/n - 23"
- 1) 48" - Conseal CS-102 1.00"
- 1) Hole - 20

0 lb
 932 lb
 2802 lb
 0 lb
 0 lb

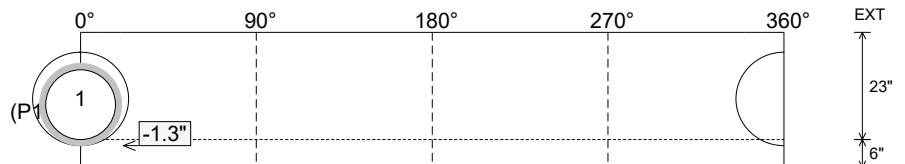
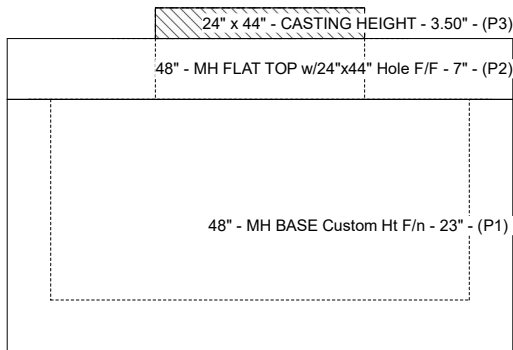
Structure Total: 3733 lb



Invert: 1
 Degree: 0°

Position	Elev	Angle	Pipe	Pipe OD	Hole	Connector	Up (L)	Ref
Rim	783.14'							
Reducer								
Invert 1	780.32'	0°	15" HDPE	17.6"	20"	Hole 20	-1.3"	P1
Invert 2								
Invert 3								
Invert 4								
Invert 5								
Invert 6								
Invert 7								
Invert 8								

Cast (Int. Dim.) - Interior Dimensions



Submittal Drawing
 1/2/2026 1:20:30 PM

SUBMITTAL
 APPROVED BY: