

**Job Name: 25-4403 - Old Heritage Subdivision Section 6**  
**Job Location: Shelbyville, KY 40065**  
**Contractor: Filcon Construction**

PC: C. Goff  
 TECH: J. Horsey - F  
 Plant: 100



Structure ID: **18+59.96 LN 9**

Spec: Storm  
 Type: BX 8inW, 8inF  
 Size: 36" x 48"

Rim: 783.14'  
 Invert: 780.2'  
 Rim to Invert: 2.94'

Sump: 0"  
 Floor (Top): 780.2'  
 Floor Height: 8"

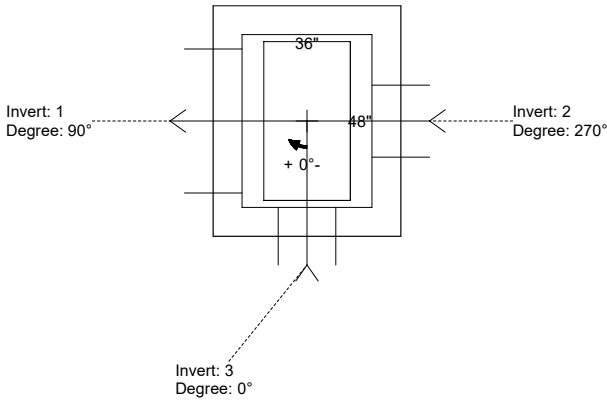
Floor (Bot): 779.533'  
 Overall Height: 3.542'  
 Slack: 0.78"

**Structure Notes:**

1. PER ASTM C-913 SPECIFICATIONS
2. CONCRETE: 4,000 PSI AT 28 DAYS
3. REINFORCEMENT:
  - FLAT LID: #5 BAR @ 6" C.C. E.W. (GRADE 60)
  - BASE: #5 BAR @ 12" C.C. E.W. (GRADE 60)
4. NO INVERT CHANNEL
5. NO STEPS
6. CASTING SUPPLIED BY OTHERS

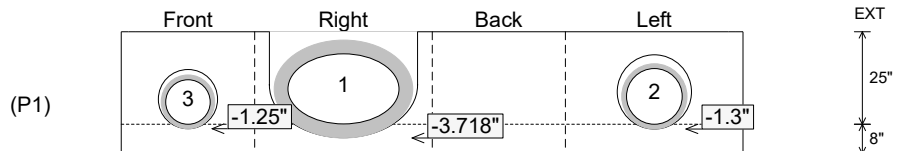
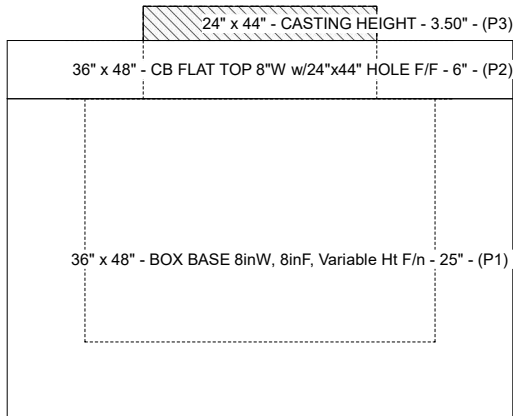
**STRUCTURE SUMMARY:**

P3) 24" x 44" - CASTING HEIGHT - 3.50"	0 lb
P2) 36" x 48" - CB FLAT TOP 8"W w/24"x44" HOLE F/F - 6"	1144 lb
P1) 36" x 48" - BOX BASE 8inW, 8inF, Variable Ht F/n - 25"	4556 lb
1) 36" x 48" - Conseal CS-102 1.00"	0 lb
1) DOGHOUSE INVRTD (ELLIP) - 40"x28.50"	0 lb
1) Hole - 20	0 lb
1) Hole - 16	0 lb
	----- 0 lb
Structure Total:	5700 lb



Position	Elev	Angle	Pipe	Pipe OD	Hole	Connector	Up ( )	Ref
Rim	783.14'							
Reducer								
Invert 1	780.2'	90°	30" x 19" ELL RCP	37.375" x 26.437"	40" x 28.5"	DOGHOUSE INVRTD (ELLIP) 40"x28.50"	-3.718"	P1
Invert 2	780.2'	270°	15" HDPE	17.6"	20"	Hole 20	-1.3"	P1
Invert 3	780.2'	0°	12" HDPE	14.5"	16"	Hole 16	-1.25"	P1
Invert 4								
Invert 5								
Invert 6								
Invert 7								
Invert 8								

**Cast (Int. Dim.) - Interior Dimensions**



Submittal Drawing  
 1/2/2026 1:20:29 PM

SUBMITTAL  
 APPROVED BY: