

Job Name: 25-4403 - Old Heritage Subdivision Section 6	Plant: 100	Tech: J. Horsey - F	
Job Location: Shelbyville, KY 40065	1/3/2026 12:51:49 PM	PC: C. Goff	
Contractor: Filcon Construction			

Structure ID: 17+25.12 LN 8

P1 BX2424-08BA24

BOX BASE 8inW, 8inF F/n

- P2) 24" x 24" - CASTING HEIGHT - 4"
- P1) 24" x 24" - BOX BASE 8inW, 8inF F/n - 24"
- 1) 24" x 24" - Conseal CS-102 1.00"
- 2) DOGHOUSE INVRTD - 24"x25.50"

0 lb
2584 lb
0 lb
0 lb

Structure Total: 2584 lb

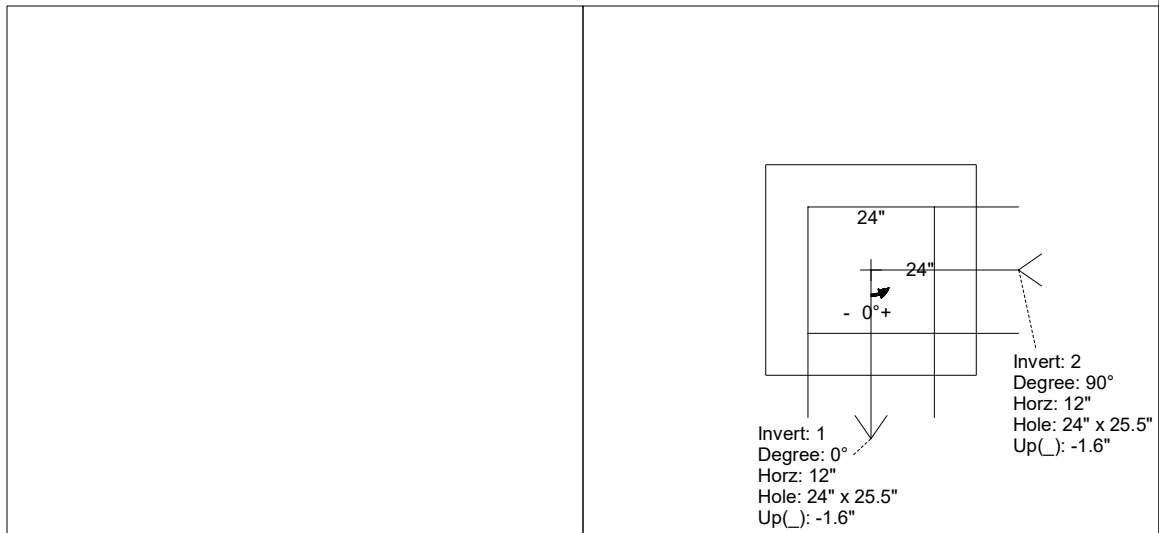
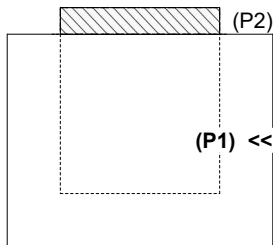
- Structure Notes:**
1. PER ASTM C-913 SPECIFICATIONS
 2. CONCRETE: 4,000 PSI AT 28 DAYS
 3. REINFORCEMENT: #5 BAR @ 12" C.C. E.W. (GRADE 60) - 2" MIN. REBAR CLEARANCE (TYP)
 4. NO INVERT CHANNEL
 5. NO STEPS
 6. CASTING SUPPLIED BY OTHERS

Rim: 777.5' Rim to Invert: 2.37' Slack: 0.44" Sump: 0" Step Position:

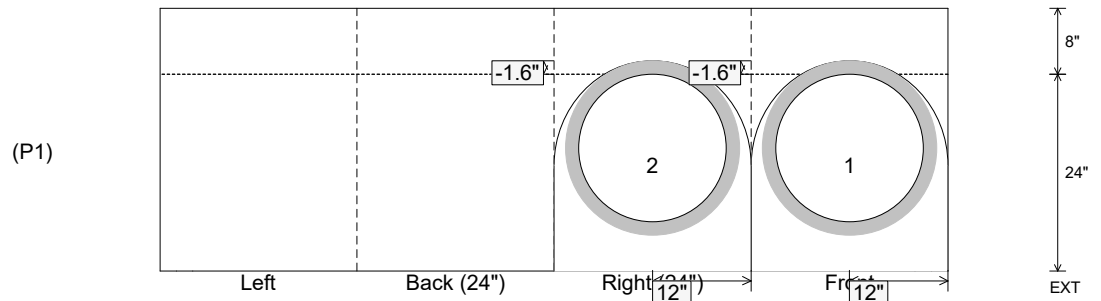
Position	Elev	Angle	Ext. (cw)	Pipe	Pipe OD	Connector	Hole	Horz Size	Up ()	Offset
Invert 1	775.13'	0°	20"	18" HDPE	21.2"	DOGHOUSE INVRTD 24"x25.50"	24" x 25.5"	24"	-1.6"	0"
Invert 2	775.13'	90°	20"	18" HDPE	21.2"	DOGHOUSE INVRTD 24"x25.50"	24" x 25.5"	24"	-1.6"	0"
Invert 3										
Invert 4										
Invert 5										
Invert 6										
Invert 7										
Invert 8										

RIGHT-SIDE UP VIEW (int. dimensions)

UPSIDE-DOWN VIEW (int. dimenions)



INSIDE WALL DIMENSIONS



Coating (Int): Coating (Ext):	Seam Up: Flat Seam Dn: n/a	Wall Thickness: 8" Floor Height: 8"	Height (Int): 24" Height (Ext): 32"	Weight (Net): 2584 lb Volume (Net): 0.66cu.yd
----------------------------------	-------------------------------	--	--	--