

Job Name: 25-4403 - Old Heritage Subdivision Section 6
 Job Location: Shelbyville, KY 40065
 Contractor: Filcon Construction

Plant: 100

1/3/2026 3:51:13 PM

Tech: J. Hortsey - F

PC: C. Goff



Structure ID: 16+68.81 LN 9

P2 MH048CN24

ECC CONE w/ 24" HOLE F/G

- P4) 24" - CASTING HEIGHT - 7"
- P3) 24" - GRADE RING F/F - 3"
- P2) 48" - ECC CONE w/ 24" HOLE F/G - 24"
- P1) 48" - MH BASE T/n - 36"
- 1) 48" - Conseal CS-102 1.00"
- 1) Hole - 30
- 1) Hole - 40 x 28
- 5) MH Step ML-10-TDS-NCR - 10"

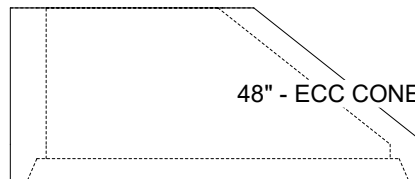
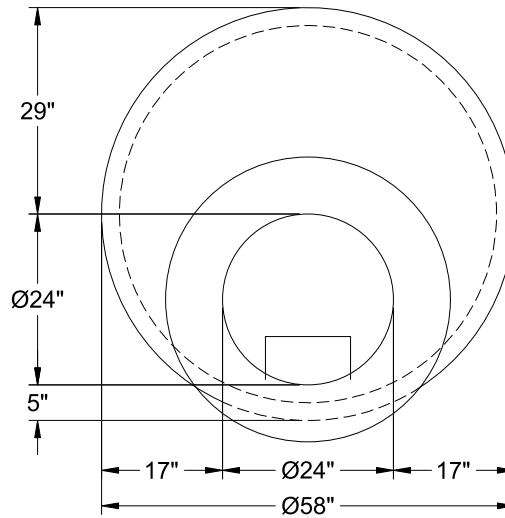
0 lb
 202 lb
 1550 lb
 3107 lb
 0 lb
 0 lb
 0 lb
 0 lb

 4860 lb

Structure Total: 4860 lb

Structure Notes:

1. PER ASTM C-478 SPECIFICATIONS
2. CONCRETE: 4,000 PSI AT 28 DAYS
3. REINFORCEMENT: PER ASTM A615
4. NO INVERT CHANNEL
5. STEPS AT 247.5 DEGREES
6. CASTING SUPPLIED BY OTHERS



48" - ECC CONE w/ 24" HOLE F/G - 24" - (P2)

Coating (Int):
 Coating (Ext):

Seam Up: Flat
 Seam Dn: Groove

Wall Thickness: 5"

Height (Ext): 24"

Weight (Net): 1550 lb
 Volume (Net): 0.33cu.yd