

**Job Name: 25-4403 - Old Heritage Subdivision Section 6**  
**Job Location: Shelbyville, KY 40065**  
**Contractor: Filcon Construction**

PC: C. Goff  
 TECH: J. Horsey - F  
 Plant: 100



Structure ID: 15+50.15 LN 8

Spec: Storm  
 Type: BX 8inW, 8inF  
 Size: 36" x 36"

Rim: 777.5'  
 Invert: 774.43'  
 Rim to Invert: 3.07'

Sump: 0"  
 Floor (Top): 774.43'  
 Floor Height: 8"

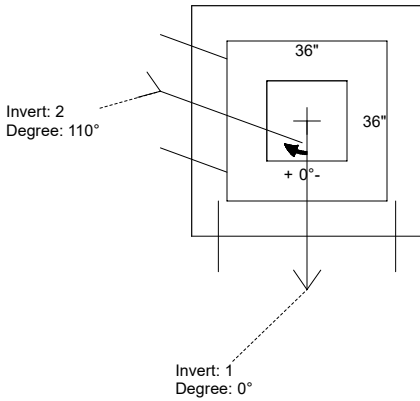
Floor (Bot): 773.763'  
 Overall Height: 3.667'  
 Slack: 0.84"

**Structure Notes:**

1. PER ASTM C-913 SPECIFICATIONS
2. CONCRETE: 4,000 PSI AT 28 DAYS
3. REINFORCEMENT:
  - FLAT LID: #5 BAR @ 6" C.C. E.W. (GRADE 60)
  - BASE: #5 BAR @ 12" C.C. E.W. (GRADE 60)
4. NO INVERT CHANNEL
5. NO STEPS
6. CASTING SUPPLIED BY OTHERS

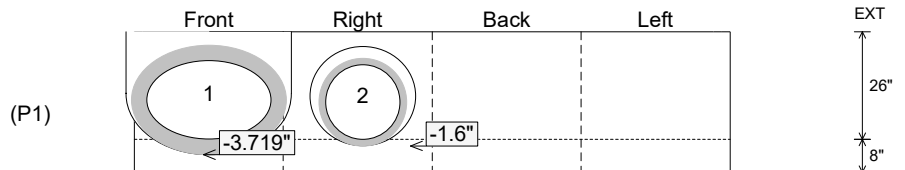
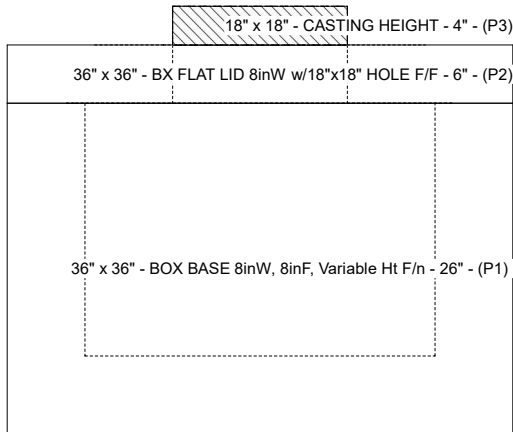
**STRUCTURE SUMMARY:**

- P3) 18" x 18" - CASTING HEIGHT - 4" 0 lb
  - P2) 36" x 36" - BX FLAT LID 8inW w/18"x18" HOLE F/F - 6" 1198 lb
  - P1) 36" x 36" - BOX BASE 8inW, 8inF, Variable Ht F/n - 26" 4029 lb
  - 1) 36" x 36" - Conseal CS-102 1.00" 0 lb
  - 1) 18" x 18" - Conseal CS-102 1.00" 0 lb
  - 1) DOGHOUSE INVRTD (ELLIP) - 40"x29.50" 0 lb
  - 1) Hole - 24 0 lb
- Structure Total: 5227 lb



Position	Elev	Angle	Pipe	Pipe OD	Hole	Connector	Up ( )	Ref
Rim	777.5'							
Reducer								
Invert 1	774.43'	0°	30" x 19" ELL RCP	37.375" x 26.437"	40" x 29.5"	DOGHOUSE INVRTD (ELLIP) 40"x29.50"	-3.719"	P1
Invert 2	774.43'	110°	18" HDPE	21.2"	24"	Hole 24	-1.6"	P1
Invert 3								
Invert 4								
Invert 5								
Invert 6								
Invert 7								
Invert 8								

**Cast (Int. Dim.) - Interior Dimensions**



Submittal Drawing  
 1/2/2026 1:20:21 PM

SUBMITTAL  
 APPROVED BY: