

**Structure ID: 13+56.43 LN 8**

**P1 MH048BAVF**

**MH BASE Custom Ht F/n**

- P3) 24" x 44" - CASTING HEIGHT - 3.50"
- P2) 48" - MH FLAT TOP w/24"x44" Hole F/F - 7"
- P1) 48" - MH BASE Custom Ht F/n - 34"
- 1) 48" - Conseal CS-102 1.00"
- 2) Hole - 30"

0 lb  
 932 lb  
 3073 lb  
 0 lb  
 0 lb  
 -----  
 Structure Total: 4005 lb

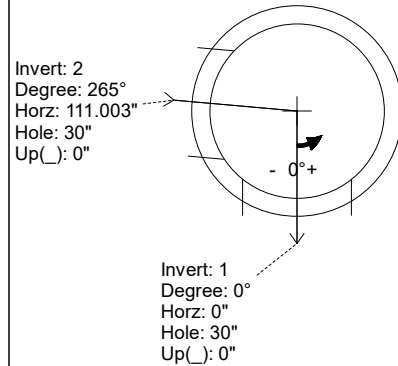
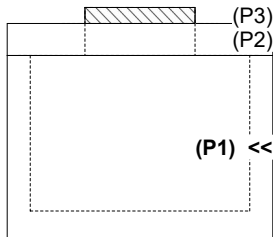
- Structure Notes:**
1. PER ASTM C-478 SPECIFICATIONS
  2. CONCRETE: 4,000 PSI AT 28 DAYS
  3. REINFORCEMENT: PER ASTM A615
  4. NO INVERT CHANNEL
  5. NO STEPS
  6. CASTING SUPPLIED BY OTHERS

Rim: 777.27'    Rim to Invert: 3.61'    Slack: 0.72"    Sump: 1.9"    Step Position:

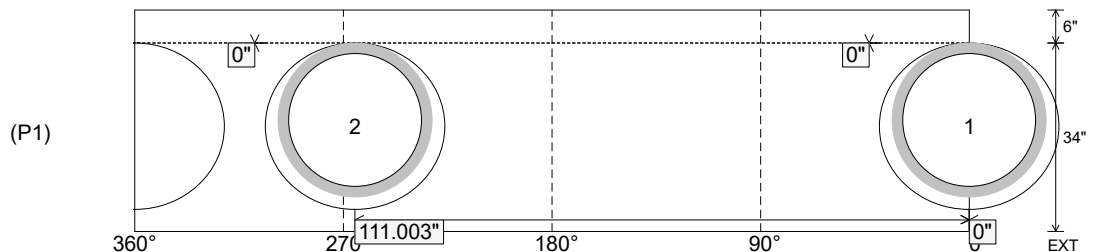
Position	Elev	Angle	Ext. (cw)	Pipe	Pipe OD	Connector	Hole	Horz Size	Up ( )	Offset
Invert 1	773.66'	0°	0"	24" HDPE	27.8"	Hole 30	30"	32.406"	0"	0"
Invert 2	773.66'	265°	134.129"	24" HDPE	27.8"	Hole 30	30"	32.406"	0"	0"
Invert 3										
Invert 4										
Invert 5										
Invert 6										
Invert 7										
Invert 8										

RIGHT-SIDE UP VIEW (int. dimensions)

UPSIDE-DOWN VIEW (int. dimenions)



INSIDE WALL DIMENSIONS



Coating (Int): Coating (Ext):	Seam Up: Flat Seam Dn: n/a	Wall Thickness: 5" Floor Height: 6"	Height (Int): 34" Height (Ext): 40"	Weight (Net): 3073 lb Volume (Net): 0.78cu.yd
----------------------------------	-------------------------------	--	--	--