

Job Name: 25-4403 - Old Heritage Subdivision Section 6
Job Location: Shelbyville, KY 40065
Contractor: Filcon Construction

PC: C. Goff
 TECH: J. Horsey - F
 Plant: 100



Structure ID: **12+55.42 LN 6**

Spec: Storm
 Type: BX 8inW, 8inF
 Size: 24" x 30"

Rim: 775.76'
 Invert: 773.5'
 Rim to Invert: 2.26'

Sump: 0"
 Floor (Top): 773.5'
 Floor Height: 8"

Floor (Bot): 772.833'
 Overall Height: 2.875'
 Slack: 0.62"

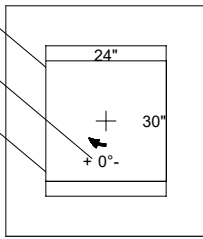
Structure Notes:

1. PER ASTM C-913 SPECIFICATIONS
2. CONCRETE: 4,000 PSI AT 28 DAYS
3. REINFORCEMENT:
 - FLAT LID: #5 BAR @ 6" C.C. E.W. (GRADE 60)
 - BASE: #5 BAR @ 12" C.C. E.W. (GRADE 60)
4. NO INVERT CHANNEL
5. NO STEPS
6. CASTING SUPPLIED BY OTHERS

STRUCTURE SUMMARY:

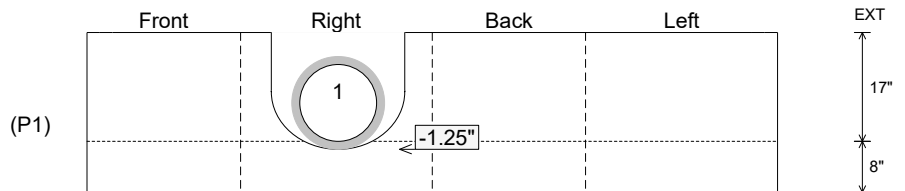
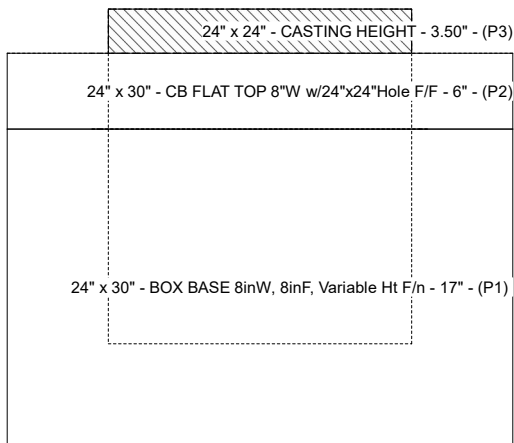
- P3) 24" x 24" - CASTING HEIGHT - 3.50" 0 lb
 - P2) 24" x 30" - CB FLAT TOP 8"W w/24"x24"Hole F/F - 6" 636 lb
 - P1) 24" x 30" - BOX BASE 8inW, 8inF, Variable Ht F/n - 17" 2604 lb
 - 1) 24" x 30" - Conseal CS-102 1.00" 0 lb
 - 1) 24" x 24" - Conseal CS-102 1.00" 0 lb
 - 1) DOGHOUSE INVRTD - 16"x18" 0 lb
- Structure Total: 3240 lb

Invert: 1
 Degree: 130°



Position	Elev	Angle	Pipe	Pipe OD	Hole	Connector	Up ()	Ref
Rim	775.76'							
Reducer								
Invert 1	773.5'	130°	12" HDPE	14.5"	16" x 18"	DOGHOUSE INVRTD 16"x18"	-1.25"	P1
Invert 2								
Invert 3								
Invert 4								
Invert 5								
Invert 6								
Invert 7								
Invert 8								

Cast (Int. Dim.) - Interior Dimensions



Submittal Drawing
 1/2/2026 1:20:31 PM

SUBMITTAL
 APPROVED BY: