

Job Name: 25-4403 - Old Heritage Subdivision Section 6	Plant: 100	Tech: J. Horsey - F	
Job Location: Shelbyville, KY 40065	1/3/2026 12:52:02 PM	PC: C. Goff	
Contractor: Filcon Construction			

Structure ID: 12+55.42 LN 6

P1 BX24300808VF

BOX BASE 8inW, 8inF, Variable Ht F/n

P3) 24" x 24" - CASTING HEIGHT - 3.50"	0 lb
P2) 24" x 30" - CB FLAT TOP 8"W w/24"x24"Hole F/F - 6"	636 lb
P1) 24" x 30" - BOX BASE 8inW, 8inF, Variable Ht F/n - 17"	2604 lb
1) 24" x 30" - Conseal CS-102 1.00"	0 lb
1) 24" x 24" - Conseal CS-102 1.00"	0 lb
1) DOGHOUSE INVRTD - 16"x18"	0 lb
Structure Total:	3240 lb

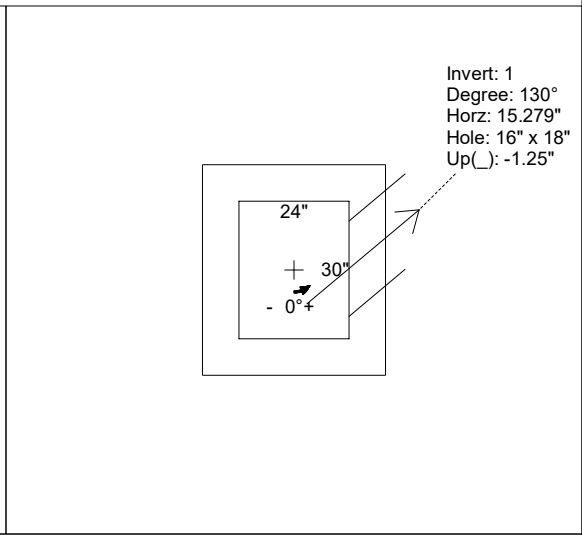
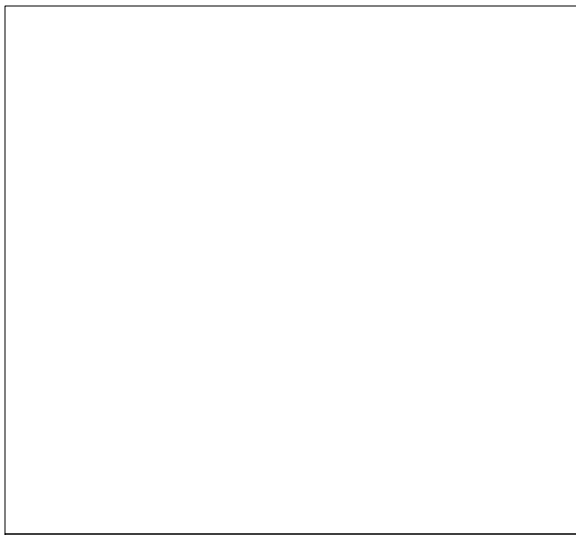
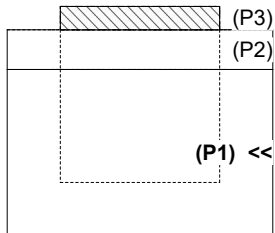
- Structure Notes:**
1. PER ASTM C-913 SPECIFICATIONS
 2. CONCRETE: 4,000 PSI AT 28 DAYS
 3. REINFORCEMENT: #5 BAR @ 12" C.C. E.W. (GRADE 60) - 2" MIN. REBAR CLEARANCE (TYP)
 4. NO INVERT CHANNEL
 5. NO STEPS
 6. CASTING SUPPLIED BY OTHERS

Rim: 775.76' Rim to Invert: 2.26' Slack: 0.62" Sump: 0" Step Position:

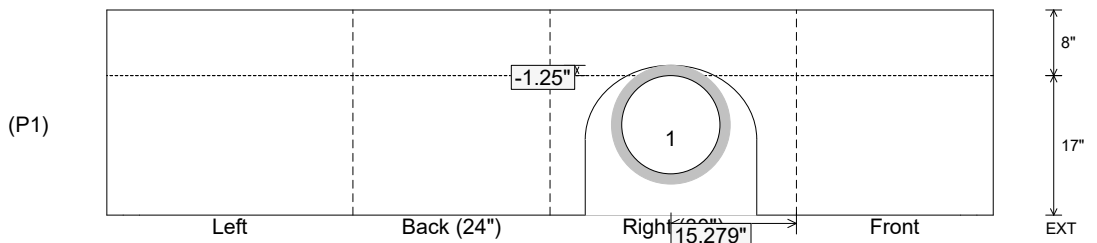
Position	Elev	Angle	Ext. (cw)	Pipe	Pipe OD	Connector	Hole	Horz Size	Up ()	Offset
Invert 1	773.5'	130°	29.991"	12" HDPE	14.5"	DOGHOUSE INVRTD 16"x18"	16" x 18"	20.887"	-1.25"	-7.5"
Invert 2										
Invert 3										
Invert 4										
Invert 5										
Invert 6										
Invert 7										
Invert 8										

RIGHT-SIDE UP VIEW (int. dimensions)

UPSIDE-DOWN VIEW (int. dimenions)



INSIDE WALL DIMENSIONS



Coating (Int): Coating (Ext):	Seam Up: Flat Seam Dn: n/a	Wall Thickness: 8" Floor Height: 8"	Height (Int): 17" Height (Ext): 25"	Weight (Net): 2604 lb Volume (Net): 0.66cu.yd
----------------------------------	-------------------------------	--	--	--