

Job Name: 25-4403 - Old Heritage Subdivision Section 6  
 Job Location: Shelbyville, KY 40065  
 Contractor: Filcon Construction

Plant: 100  
 1/3/2026 12:54:27 PM

Tech: J. Hortsey - F  
 PC: C. Goff



**Structure ID: 11+58.00 LN 9**

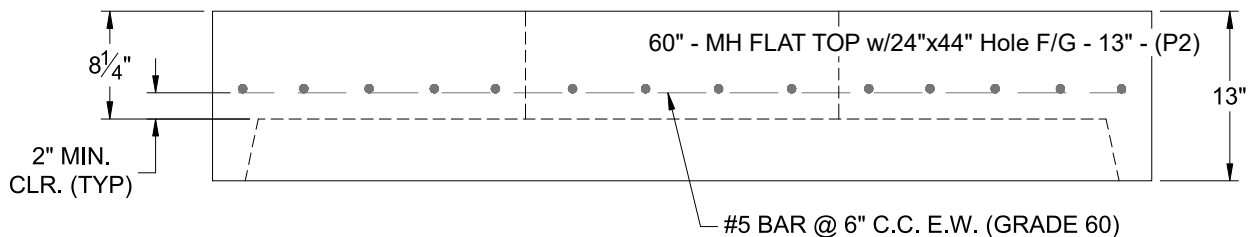
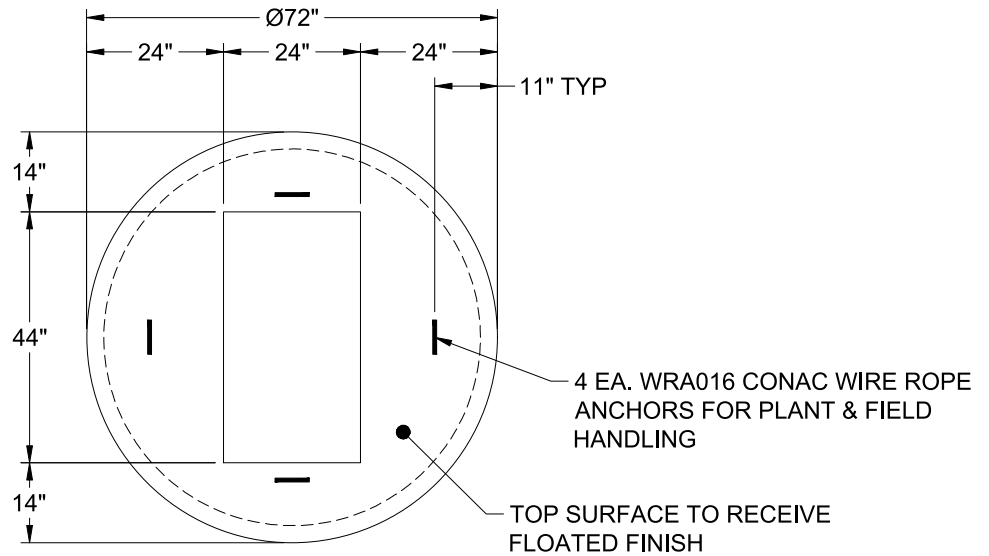
**P2 MH060LD13SP**

**MH FLAT TOP w/24"x44" Hole F/G**

- P3) 24" x 44" - CASTING HEIGHT - 3.50"
- P2) 60" - MH FLAT TOP w/24"x44" Hole F/G - 13"
- P1) 60" - MH BASE Custom Ht T/n - 51"
- 1) 60" - Conseal CS-102 1.00"
- 1) Hole - 44
- 1) Hole - 30
- 4) MH Step ML-10-TDS-NCR - 10"

0 lb  
 2347 lb  
 6846 lb  
 0 lb  
 0 lb  
 0 lb  
 0 lb  
 0 lb  
 -----  
 Structure Total: 9193 lb

- Structure Notes:
1. PER ASTM C-478 SPECIFICATIONS
  2. CONCRETE: 4,000 PSI AT 28 DAYS
  3. REINFORCEMENT: #5 BAR @ 6" C.C. E.W. (GRADE 60) - 2" MIN. REBAR CLEARANCE (TYP)
  4. NO INVERT CHANNEL
  5. STEPS AT 125 DEGREES
  6. CASTING SUPPLIED BY OTHERS
  7. LIFTERS: 4 EA. WRA016 CONAC WIRE ROPE ANCHORS FOR PLANT & FIELD HANDLING



Coating (Int):  
 Coating (Ext):

Seam Up: Flat  
 Seam Dn: Groove

Wall Thickness: 6"

Height (Ext): 13"

Weight (Net): 2347 lb  
 Volume (Net): 0.6cu.yd