

Job Name: 25-4403 - Old Heritage Subdivision Section 6
Job Location: Shelbyville, KY 40065
Contractor: Filcon Construction

PC: C. Goff
 TECH: J. Horsey - F
 Plant: 100



Structure ID: 11+49.08 LN 6

Spec: Storm
 Type: BX 8inW, 8inF
 Size: 24" x 24"

Rim: 774.76'
 Invert: 772.7'
 Rim to Invert: 2.06'

Sump: 0"
 Floor (Top): 772.7'
 Floor Height: 8"

Floor (Bot): 772.033'
 Overall Height: 2.708'
 Slack: 0.22"

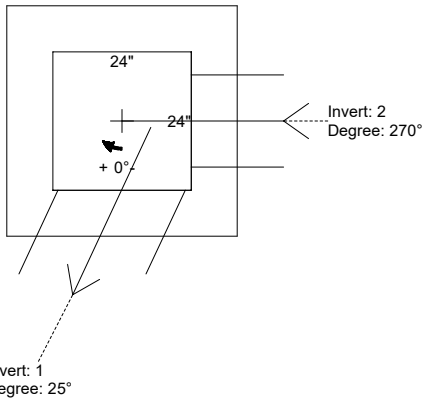
Structure Notes:

1. PER ASTM C-913 SPECIFICATIONS
2. CONCRETE: 4,000 PSI AT 28 DAYS
3. REINFORCEMENT: #5 BAR @ 12" C.C. E.W. (GRADE 60)
4. NO INVERT CHANNEL
5. NO STEPS
6. CASTING SUPPLIED BY OTHERS

STRUCTURE SUMMARY:

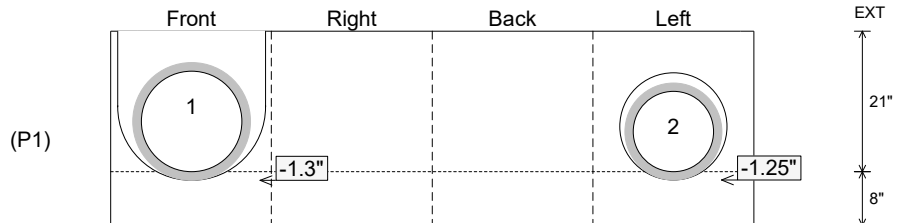
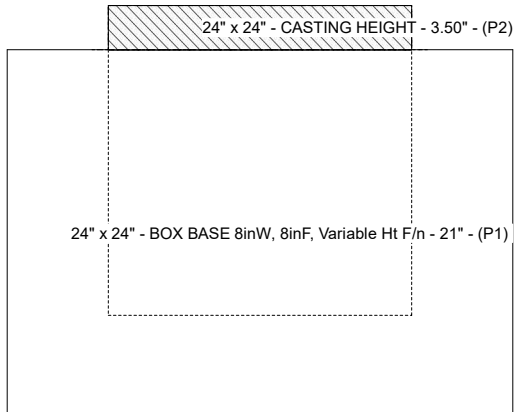
P2) 24" x 24" - CASTING HEIGHT - 3.50" 0 lb
 P1) 24" x 24" - BOX BASE 8inW, 8inF, Variable Ht F/n - 21" 2448 lb
 1) 24" x 24" - Conseal CS-102 1.00" 0 lb
 1) DOGHOUSE INVRTD - 20"x22" 0 lb
 1) Hole - 16 0 lb

 Structure Total: 2448 lb



Position	Elev	Angle	Pipe	Pipe OD	Hole	Connector	Up (")	Ref
Rim	774.76'							
Reducer								
Invert 1	772.7'	25°	15" HDPE	17.6"	20" x 22"	DOGHOUSE INVRTD 20"x22"	-1.3"	P1
Invert 2	772.7'	270°	12" HDPE	14.5"	16"	Hole 16	-1.25"	P1
Invert 3								
Invert 4								
Invert 5								
Invert 6								
Invert 7								
Invert 8								

Cast (Int. Dim.) - Interior Dimensions



Submittal Drawing
 1/2/2026 1:20:30 PM

SUBMITTAL
 APPROVED BY: