

Job Name: 25-4403 - Old Heritage Subdivision Section 6
 Job Location: Shelbyville, KY 40065
 Contractor: Filcon Construction

Plant: 100
 1/3/2026 12:54:22 PM

Tech: J. Hortsey - F
 PC: C. Goff



Structure ID: 11+09.99 LN 8

P3 MH048CN36

ECC CONE w/ 24" HOLE F/G

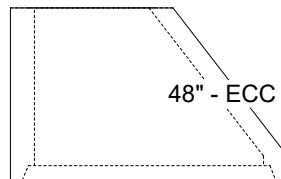
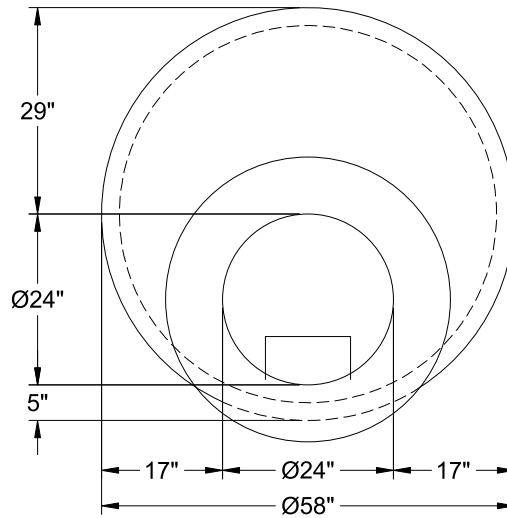
- P4) 24" - CASTING HEIGHT - 7"
- P3) 48" - ECC CONE w/ 24" HOLE F/G - 36"
- P2) 48" - MH RISER T/G - 36"
- P1) 48" - MH BASE T/n - 48"
- 2) 48" - Conseal CS-102 1.00"
- 2) Hole - 30
- 10) MH Step ML-10-TDS-NCR - 10"

0 lb
 3000 lb
 2515 lb
 4051 lb
 0 lb
 0 lb
 0 lb

 9566 lb

Structure Total:

- Structure Notes:
1. PER ASTM C-478 SPECIFICATIONS
 2. CONCRETE: 4,000 PSI AT 28 DAYS
 3. REINFORCEMENT: PER ASTM A615
 4. NO INVERT CHANNEL
 5. STEPS AT 100 DEGREES
 6. CASTING SUPPLIED BY OTHERS



48" - ECC CONE w/ 24" HOLE F/G - 36" - (P3)

Coating (Int):
 Coating (Ext):

Seam Up: Flat
 Seam Dn: Groove

Wall Thickness: 5"

Height (Ext): 36"

Weight (Net): 3000 lb
 Volume (Net): 0.5cu.yd