

**Job Name: 25-4403 - Old Heritage Subdivision Section 6**  
**Job Location: Shelbyville, KY 40065**  
**Contractor: Filcon Construction**

PC: C. Goff  
 TECH: J. Horsey - F  
 Plant: 100



Structure ID: 10+64.64 LN 9-1

Spec: Storm  
 Type: STM.MH (Recessed pipe)  
 Size: 48"

Rim: 785.5'  
 Invert: 782.03'  
 Rim to Invert: 3.47'

Sump: 0"  
 Floor (Top): 782.03'  
 Floor Height: 6"

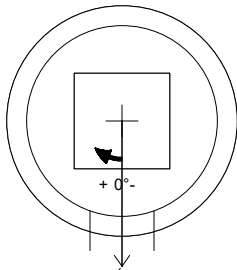
Floor (Bot): 781.53'  
 Overall Height: 3.792'  
 Slack: 2.14"

**Structure Notes:**

1. PER ASTM C-478 SPECIFICATIONS
2. CONCRETE: 4,000 PSI AT 28 DAYS
3. REINFORCEMENT:
  - FLAT LID: #4 BAR @ 10" C.C. E.W. (GRADE 60)
  - BASE: PER ASTM A615
4. NO INVERT CHANNEL
5. NO STEPS
6. CASTING SUPPLIED BY OTHERS

**STRUCTURE SUMMARY:**

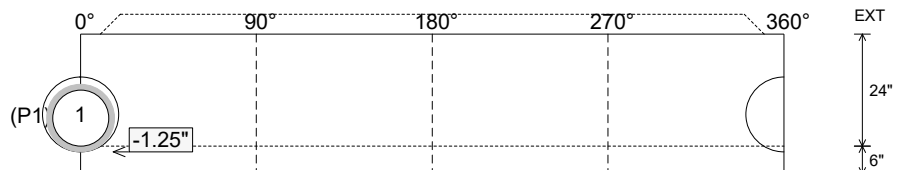
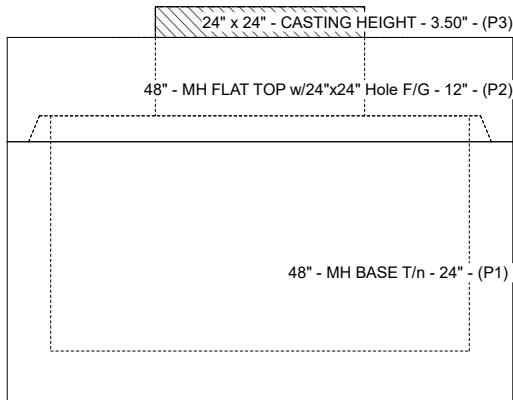
- P3) 24" x 24" - CASTING HEIGHT - 3.50" 0 lb
- P2) 48" - MH FLAT TOP w/24"x24" Hole F/G - 12" 1500 lb
- P1) 48" - MH BASE T/n - 24" 2921 lb
- 1) 48" - Conseal CS-102 1.00" 0 lb
- 1) 24" x 24" - Conseal CS-102 1.00" 0 lb
- 1) Hole - 16" 0 lb
- Structure Total: 4421 lb**



Invert: 1  
 Degree: 0°

Position	Elev	Angle	Pipe	Pipe OD	Hole	Connector	Up ( )	Ref
Rim	785.5'							
Reducer								
Invert 1	782.03'	0°	12" HDPE	14.5"	16"	Hole 16	-1.25"	P1
Invert 2								
Invert 3								
Invert 4								
Invert 5								
Invert 6								
Invert 7								
Invert 8								

**Cast (Int. Dim.) - Interior Dimensions**



Submittal Drawing  
 1/2/2026 1:20:24 PM

SUBMITTAL  
 APPROVED BY: