



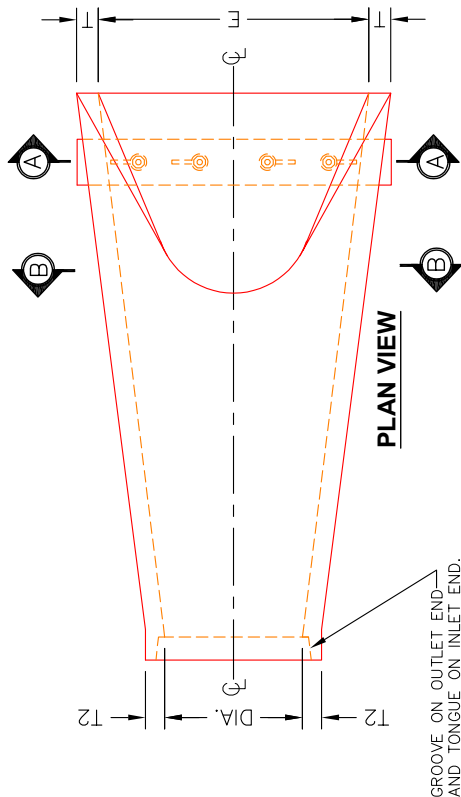
Structure ID: 100

P1 FES36B

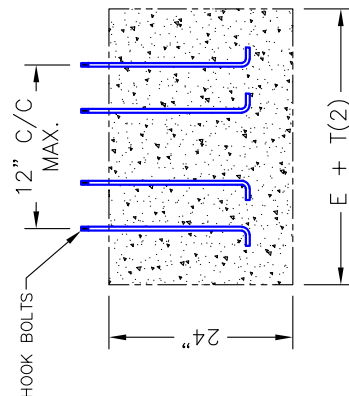
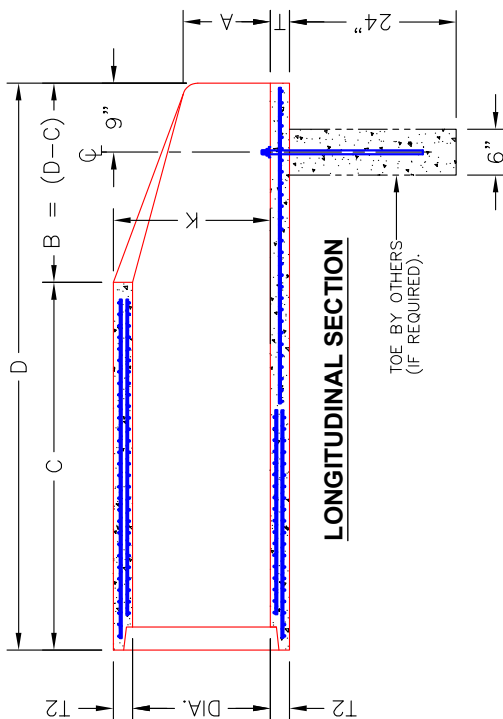
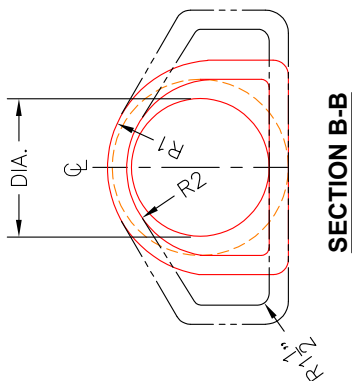
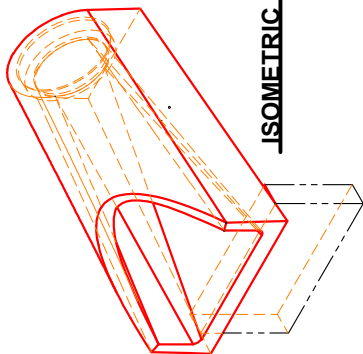
36" - RCP FLARED END SECTION BELL (OUTLET)

NOTES:

1. ALL INDIANA DEPARTMENT OF TRANSPORTATION SPECIFICATIONS SHALL BE MET OR EXCEEDED. FLARED END SECTION WILL ALSO BE MANUFACTURED AND TESTED IN ACCORDANCE WITH ASTM C-76 OR ASTM C-655 AND AASHTO M-170 SPECIFICATIONS.
2. ALL PIPE JOINTS MEET ASTM C-443 AND C-361 SPECIFICATIONS.
3. INSTALL REINFORCED CONCRETE PIPE PER ASTM C-1479--STANDARD PRACTICE FOR INSTALLATION OF PRECAST CONCRETE PIPE.
4. FLARED END SECTION REINFORCING IS IN ACCORDANCE WITH ASTM C-76.
5. WEIGHT SHOWN IS CALCULATED USING 150 LBS. PER CUBIC FT. UNIT WEIGHT OF CLASS A CONCRETE.
6. CONCRETE TOE ANCHOR TO BE FIELD POURED BY OTHERS, IF REQUIRED.



ISOMETRIC VIEW

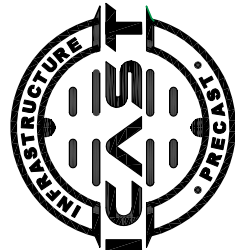


SECTION A-A

CONCRETE PIPE TOE ANCHOR
 (POURED ON SITE BY OTHERS, IF REQUIRED)

TABLE OF DIMENSIONS

DIA.	T (MIN.)	T2 (MIN.)	A (±1")	B (±1")	C (±1")	D (±1")	E (±1")	K (FT.)	R1	R2	APPROX. WEIGHT (LBS.)
12"	2"	4"	6"	1'-11"	4'-3"	6'-2"	2'-0"	1.34'	10 1/2"	9"	1,400
15"	2 1/2"	4 1/2"	7 3/8"	2'-3"	4'-0"	6'-3"	2'-6"	1.63'	12 3/4"	11"	1,950
18"	2 3/4"	4 3/4"	9"	2'-1"	4'-1"	6'-2"	3'-0"	1.93'	15 1/2"	12"	2,510
24"	3"	5 1/2"	12"	3'-7"	2'-8"	6'-3"	4'-0"	2.48'	16 3/8"	14"	3,740
30"	3 1/2"	6 1/2"	15"	4'-5"	1'-10"	6'-3"	5'-0"	3.05'	18 1/2"	15"	4,930
36"	4"	7 1/2"	17"	5'-2"	3'-1"	8'-3"	6'-0"	3.75'	24 1/8"	20"	6,800



INFRASTRUCTURE PRECAST, INC.
 981 WEST 7TH ST., BEAVER DAM, KY. 42320
 PHONE: (270) 363-2238, FAX: (270) 298-7424

PRECAST CONCRETE
 FLARED END SECTION

DRAWING NO.: ET-INDOT-300 DATE: 05-05-25
 REVIEWED BY: J.H. ROSS, PE DRAWN BY: N. RICHARDS
 WEB: WWW.ICASTINC.COM SCALE: NTS